



Mini Battery Backup (Lithium ion Battery)



Manual 31999

The ednet UPS for home appliances with 12V DC and 5V DC provides the ideal solution for constant supply of cameras, routers and alarm systems, even in the event of power outage or current fluctuations. The UPS is supplied with the supplied 12V power supply and the supplied adapter cables allow you to connect your cameras, routers or alarm systems with different power connectors. A 12V DC output with 1.5A and a 5V DC output with 2A are provided. The integrated battery ensures bridging time up to one hour in the event of power outage. The unobtrusive design makes the UPS unobtrusive in the environment.

While using the product, please follow the following considerations:

- It is not allowed to open the product apart by yourself
- Damaging the power wire is strictly prohibited in case of the short circuit and fires.
- The products do not prevent water, any rain or moisture. It is strictly forbidden to soak in water, in case of causing overheating, smoke, deformation, damage, explosion of the battery.
- No children operating or playing this product.
- Non-metals and combustibles into the product, so as to avoid electric shock or fire hazard.
- It is strictly prohibited to throw products into the fire to avoid explosion.
- Prohibitions connect or disconnect power plugs with wet hands, so as to avoid electric shock hazard.
- Don't place product at high temperature for a long time (more than 40 °C) environment, so as to avoid fire and failure.
- In order to extend the product (lithium battery) life, preferably within 3 months charge once, at least for 6 months charge once again.
- When not in use for a long time, disconnect the power supply, to ensure safety.

This product is a "lithium-ion rechargeable battery, press the relevant provisions dealing with waste, not built-in batteries as domestic waste treatment, so as not to cause an explosion and

Package Contents

- Mini UPS x 1pcs
- 12.2V 2.5A power cable adapter x 1pcs
(male 5521DC to male 5521DC)
- Wires of 5521 turn to 5525 x 1pcs and 5521 turn to 5521 x 1pcs
- User Manual x 1pcs

1. Product functional specifications introduction

- It's internationally renowned manufacturers of lithium-ion batteries, the battery capacity is 19.24Wh, 5.5*2.1mm jack DC/12V and USB output DC/5V.
- Only output to the load when the DC plug of the adapter is inserted.
- The switch between electric supply and no electric supply is seamless.
- Suitable to attendance the machines, the routers, the modems, the security monitoring system, the door guard system and more.

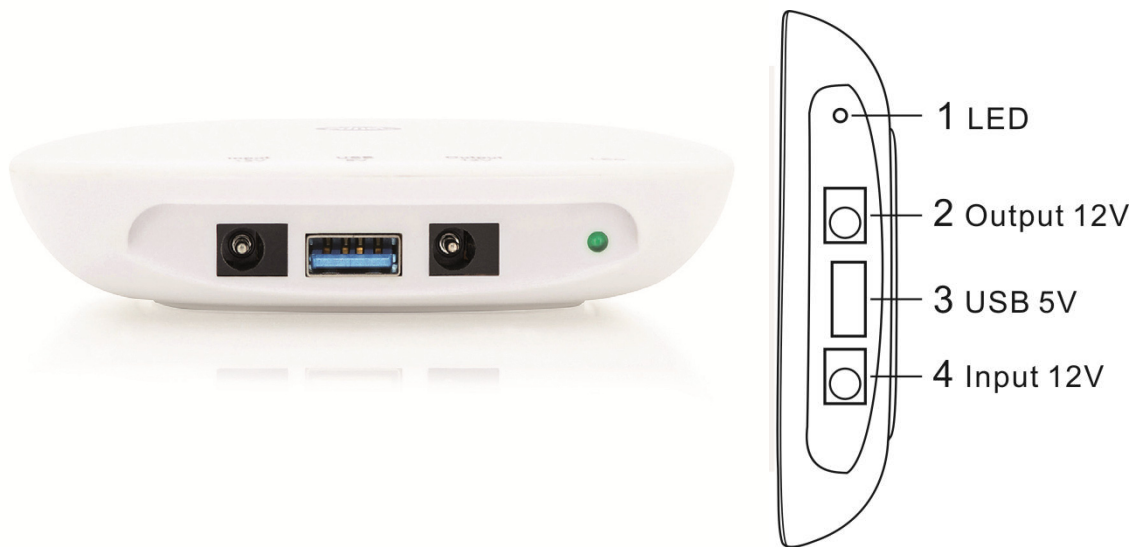
Specification

Battery	Lithium-ion batteries, 19.24Wh or 2600mAh/7.4V
Power indicator	Charge: Green; Discharge: Orange
Charge	Use this product is equipped with the adapter (12.2V 2.5A) charging, charging time according to the battery's remaining capacity and different weather conditions.
Output	DC 12V/1.5A USB DC 5V/2A
Appearance size	106(L) x 106(W) x 24.5(H)mm
Weight	145g

※ Battery capacity calculation based on the battery nominal capacity, including errors of $\pm 10\%$, ternary lithium cobalt manganese lithium-ion battery for 500 full charge/discharge cycle life (normal usage), have effective power of not less than the nominal value of 80% as normal.

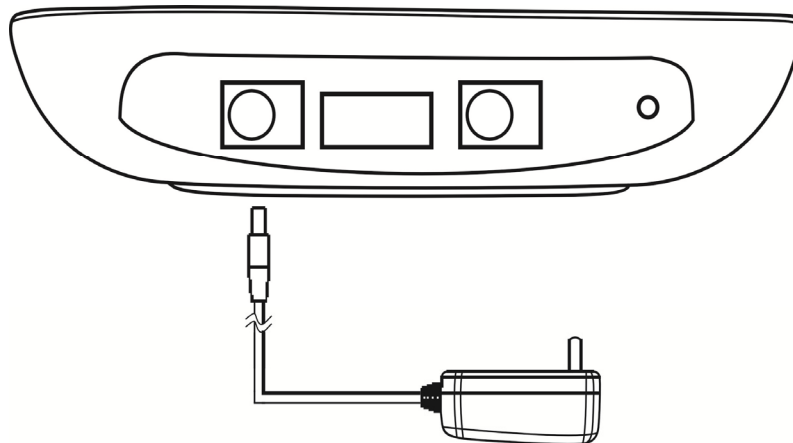
※ This product protection mechanisms, DC output overload protection, short circuit protection, charge and discharge over temperature protection. A protection mechanism, please recharge the product, so it can be reset (Reset) to restore normal function.

2. Product introduction



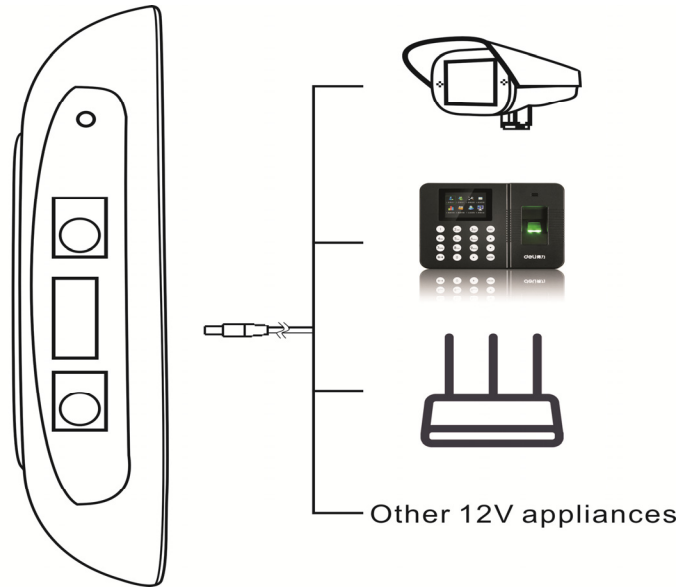
3. Charge the unit

Connect the AC-DC charger to power socket (100~240V available),
Connect the power bank to the AC-DC charger.



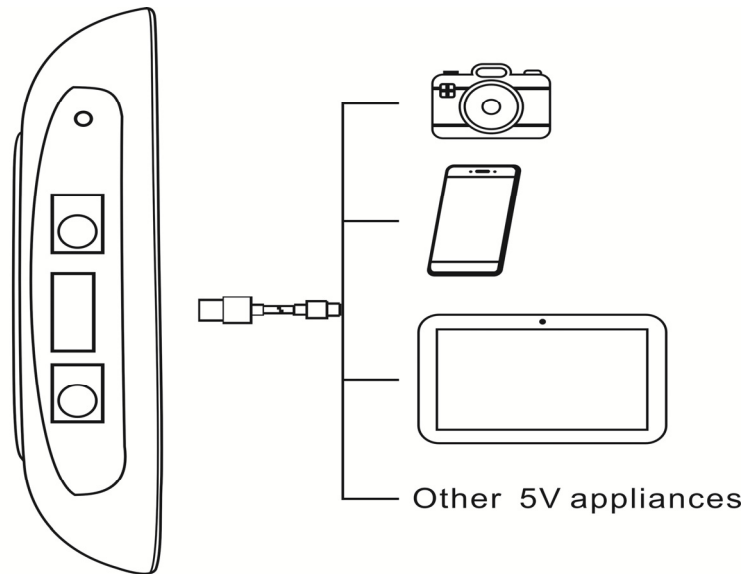
4. Recharge for 12V appliance

Connect your devices to the power bank via DC connector



5. Recharge for 5V appliances

Connect your devices to the power bank via USB connector



Herby Assmann Electronic GmbH, declares that the Declaration of Conformity is part of the shipping content.

If the Declaration of Conformity is missing, you can request it by post under the below mentioned manufacturer address.

www.assmann.com

Assmann Electronic GmbH

Auf dem Schüffel 3

58513 Lüdenscheid

Germany

