



4K HDBaseT™ HDMI KVM Extender Set, 150 m



Quick Installation Guide

DS-55522

Table of Contents

1. Introduction	3
2. Feature.....	3
3. Package Content	3
4. Specifications	4
5. Product Overview.....	5
5.1 Transmitter Panel.....	5
5.2 Receiver Panel.....	7
5.3 IR Pin Definition	8
6. Application Example.....	9

1. Introduction

The HDBaseT™ HDMI KVM Extender Set enables uncompressed, high-resolution AV signal transmission over large distances using a CAT6 (or higher) network cable. The maximum transmission distance is 150 m. Thanks to PoC, only one unit needs to be supplied with power by an external power adapter. The receiver unit features two USB (1.1) ports for connection of mouse and keyboard to control the signal source conveniently from the output display. Bi-directional IR transmission is also included as a feature.

2. Feature

- Supports HDBaseT™ 1.0 via CAT6/7/8 cable up to 100 m
- Transmission distance – Full HD (1080p/60Hz): 150 m (max.)
- Transmission distance – UHD (4K/60Hz): 120 m (max.)
- Supports 4K2K/60Hz (4:4:4)
- Video bandwidth: 18 Gbps
- Connection of mouse and keyboard on receiver (2x USB 1.1) to control the signal source conveniently from the output display
- PoC (Power over Cable) – Only the unit requires an external power adapter
- EDID support (2 modes) – 1: Copy – HDMI output receiver / 2: Standard – 1080p, 2 channel
- Bi-directional IR signal transmission
- HDMI 2.0b / HDCP 2.2

3. Package Content

- 1x Transmitter unit
- 1x Receiver unit
- 1x IR transmission cable (1.5 m)
- 1x IR receiver cable (1.5 m)
- 1x Power adapter (DC 24V/1A, 1.5 m)
- 1x USB connecting cable (1.5 m)

- 1x Mounting material
- 1x User manual

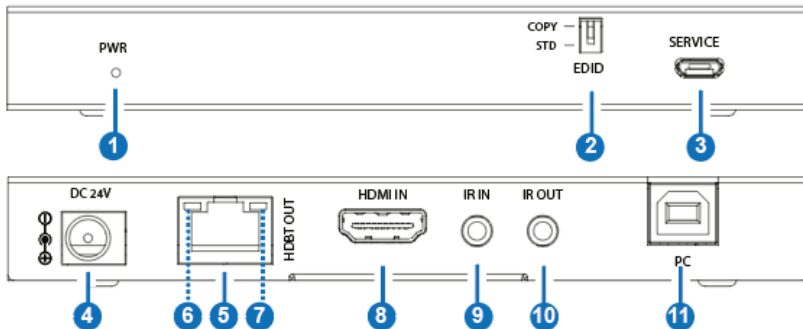
4. Specifications

Technical	
USB Compliance	USB 1.1
HDR	HDR, HDR10, HDR10+, Dolby Vision, HLG
ESD Protection	Human body model – ±8kV (Air-gap discharge) & ±4kV (Contact discharge)
Connection	
Transmitter	<ul style="list-style-type: none"> • 1x HDMI input (4K/60Hz) – Connection signal source • 1x RJ45 (HDBaseT™) output – Connection CAT transmission cable • 1x IR input to receive remote control signals • 1x IR output for control of the source device • 1x USB-B (1.1) – Connection of PC (signal source) for use of KVM function • 1x Power adapter input (DC 24V/1A), screw connector – Connection for external power adapter • 1x Micro USB input – Service/remote maintenance update • 1x EDID changeover switch
Receiver	<ul style="list-style-type: none"> • 1x HDMI output (4K/60Hz) – Connection output device • 1x RJ45 input – Connection CAT transmission cable • 1x IR input to receive remote control signals • 1x IR output for control of the source device

	<ul style="list-style-type: none"> • 2x USB-A (1.1) – Connection of mouse and keyboard • 1x Power adapter input (DC 24V/1A), screw connector – Connection for external power adapter • 1x Micro USB input – Service/remote maintenance update
Mechanical	
Housing	Metal
Color	Black
Dimensions (1 unit)	L 6.5 x W 14 x H 1.8 cm
Weight	246g
Power Consumption	approx. 10W
Operating Temperature	0°C ~ 40°C
Support	Suitable for wall mounting

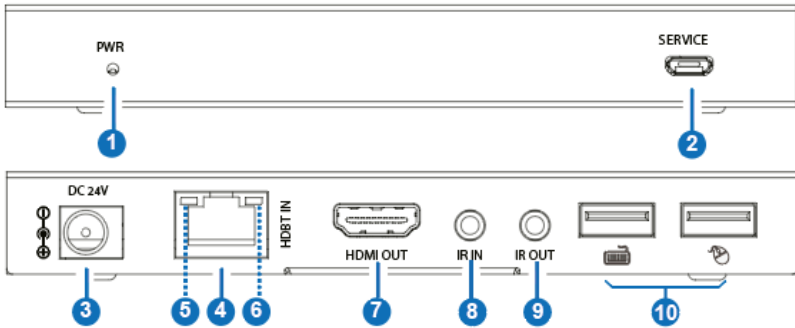
5. Product Overview

5.1 Transmitter Panel



No.	Name	Function Description
1	PWR LED	The red LED is on when the Transmitter is powered on.
2	EDID DIP switch	Used for EDID setting (dial to COPY by default). COPY: Copy the EDID of the HDMI OUT port of Receiver. STD: Default 1080P 2CH
3	SERVICE	Firmware update port.
4	DC 24V	DC 24V/1A power input port. <i>Note that the extender supports POC function, it means that either Transmitter or Receiver is connected to 24V/1A power supply, the other doesn't need power supply.</i>
5	HDBT OUT	HDBT output port, connecting to the HDBT IN port of the Receiver with CAT6 cable.
6	Link Signal Indicator (Green)	<ul style="list-style-type: none"> • Illuminating: Transmitter and Receiver are in good connection status. • Flashing: Transmitter and Receiver are in poor connection status. • Dark: Transmitter and Receiver are not connected.
7	Data Signal Indicator (Yellow)	<ul style="list-style-type: none"> • Illuminating: HDMI signal with HDCP. • Flashing: HDMI signal without HDCP. • Dark: No HDMI signal.
8	HDMI IN	HDMI signal input port, connecting to HDMI source device such as DVD play or Set Top Box.
9	IR IN	Connect to IR receiver cable, the IR receive signal will emit to the IR OUT port of the Receiver.
10	IR OUT	Connect to IR blaster cable, the IR emit signal is from the IR IN port of the Receiver.
11	PC	USB-B port, connecting to PC.

5.2 Receiver Panel



No.	Name	Function Description
1	Power LED	The power LED is on when the Receiver is powered on.
2	SERVICE	Firmware update port.
3	DC 24V	DC 24V/1A power input port. <i>Note that the extender supports POC function, it means that either Transmitter or Receiver is connected to 24V/1A power supply, the other doesn't need power supply.</i>
4	HDBT IN	HDBT input port, connecting to the HDBT OUT port of Transmitter with CAT6 cable.
5	Link Signal Indicator (Green)	<ul style="list-style-type: none"> • Illuminating: Transmitter and Receiver are in good connection status. • Flashing: Transmitter and Receiver are in poor connection status. • Dark: Transmitter and Receiver are not connected.
6	Data Signal Indicator (Yellow)	<ul style="list-style-type: none"> • Illuminate: HDMI signal with HDCP. • Flash: HDMI signal without HDCP. • Dark: No HDMI signal.
7	HDMI OUT	HDMI signal output port, connecting to HDMI display device such as TV or monitor.

8	IR IN	Connect to the IR receiver cable. The IR signal will send to the IR OUT port of the Transmitter.
9	IR OUT	Connect to the IR blaster cable, the IR signal is from IR IN port of the Transmitter.
10	USB ports	Two USB-A ports, connecting to keyboard and mouse respectively.

5.3 IR Pin Definition

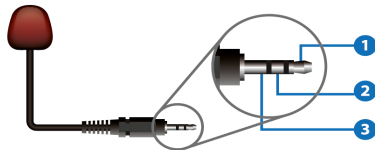
IR Receiver and Blaster pins definition is as below:



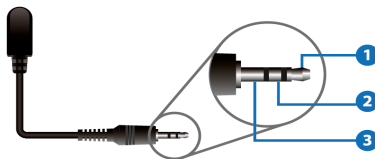
IR RECEIVER



IR BLASTER



- 1) IR Blaster Signal
- 2) Power
- 3) NC



- 1) IR Signal
- 2) Power
- 3) Grounding

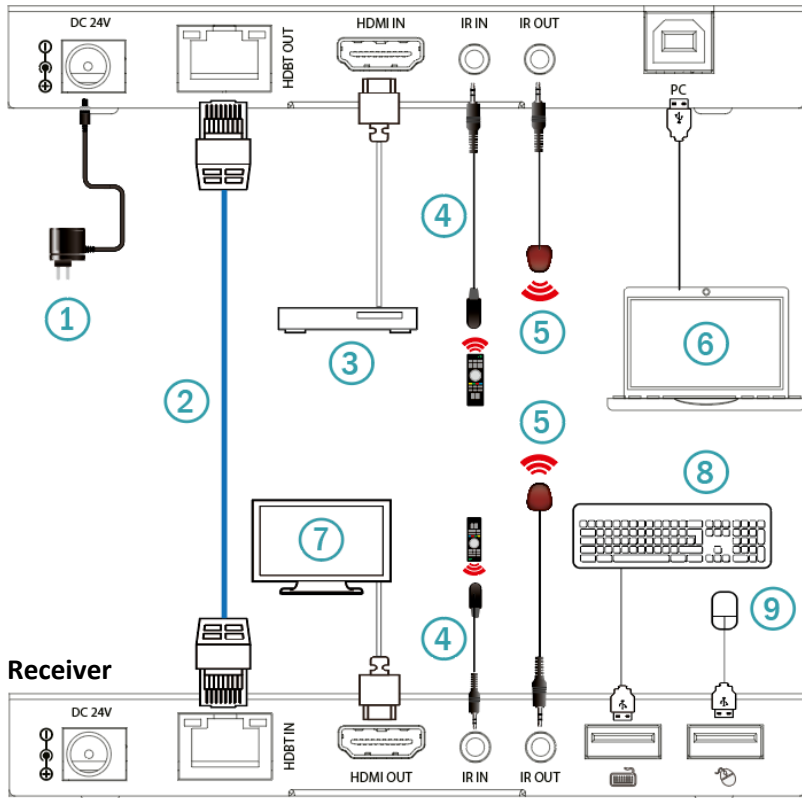
Note:

When the angle between the IR receiver and the remote control is $\pm 45^\circ$, the transmission distance is 0-5 meters;

When the angle between the IR receiver and the remote control is $\pm 90^\circ$, the transmission distance is 0-8 meters.

6. Application Example

Transmitter



1	Power Supply	2	CAT6 Cable
3	DVD or Blu-ray Player	4	IR Receiver
5	IR Blaster	6	PC
7	UHDTV	8	Keyboard
9	Mouse		

Hereby Assmann Electronic GmbH, declares that the Declaration of Conformity is part of the shipping content. If the Declaration of Conformity is missing, you can request it by post under the below mentioned manufacturer address.

www.assmann.com

Assmann Electronic GmbH

Auf dem Schüffel 3

58513 Lüdenscheid

Germany

