



# 4K HDMI KVM Extender Set, 70 m



**Quick Installation Guide**  
DS-55513

## Table of Contents

1. Introduction .....	3
2. Main Features .....	3
3. Package Contents .....	3
4. Installation Procedures.....	5
5. Interfaces.....	5
6. Installation Requirements .....	8
7. Installation Procedures.....	9
8. Questions and Answers .....	12
9. Specification.....	13

# 1. Introduction

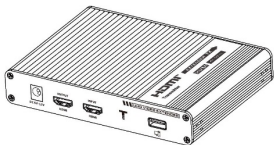
This HDMI Extender includes a transmitter unit and a receiver unit, allows HDMI signal to be transmitted up to 70 meters at 4K resolution using a CAT6/6A/7 network cable. It is perfect for outdoor advertising, video clips, monitor system, home entertainment, and conference, etc.


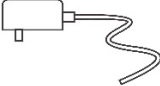
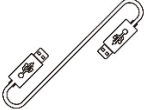
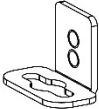


# 2. Main Features

- Supports 4K2K/60Hz (HDR, 4:4:4)
- Video bandwidth: 18 Gbps
- Maximum transmission distance (UHD 4K2K): 70 m
- KVM/USB functionality – Connection of mouse, keyboard, touchscreen
- HDMI loop-out to the transmitter unit
- Supports CAT 6/7/8 cables
- Audio extractor on the receiver unit (S/PDIF)
- EDID passback
- HDCP 2.2 / 1.4
- HDMI 2.0

# 3. Package Contents

- 1 x Transmitter unit



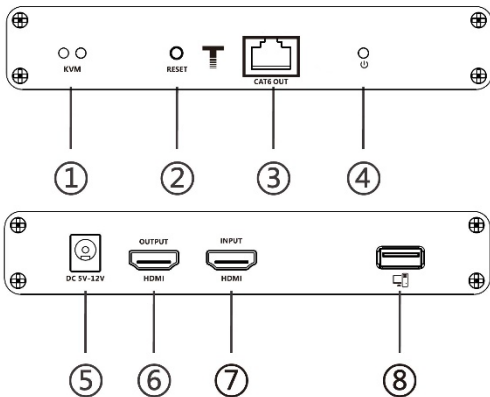
<ul style="list-style-type: none"> <li>• 1 x Receiver unit</li> </ul>	
<ul style="list-style-type: none"> <li>• 2 x DC 5 V / 2 A</li> </ul>	
<ul style="list-style-type: none"> <li>• 1 x USB cable</li> </ul>	
<ul style="list-style-type: none"> <li>• 4 x Mounting brackets</li> </ul>	
<ul style="list-style-type: none"> <li>• 18 x Screws</li> </ul>	
<ul style="list-style-type: none"> <li>• 1 x QIG</li> </ul>	

## 4. Installation Requirements

- 1) HDMI source device (compute graphics card, DVD, PS3) HD monitoring equipment etc.
- 2) HDMI display device like SDTV, HDTV, projector with HDMI port
- 3) UTP/STP CAT6/CAT6A/CAT7 cable. Follow standard IEEE-568B, it is recommended to select a network cable with less loss and crosstalk

## 5. Interfaces

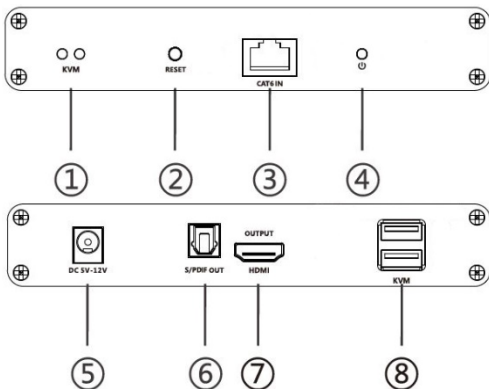
### 1. Transmitter (TX)



1)	KVM Light	Connected to the computer, the indicator light is on. No signal transmission, the indicator light off;
----	-----------	--

		This is signal transmission, the indicator light flashes
2)	Reset button	Press to restart the device
3)	RJ45 signal output	Connect with network cable
4)	Power/ Signal indicator	When there is power and no HDMI signal, the indicator will flash, when there is HDMI signal, the indicator will light solid blue
5)	DC5V-12V input	Connect with DC5V-12V power adapter
6)	HDMI output	Connect with HDMI display device
7)	HDMI input	Connect with the source device
8)	USB-A port	Connect with computer

## 2. Receiver (RX)



1)	KVM Light	The mouse/keyboard/touch screen is connected to the USB port, the indicator light is on
2)	Reset button	Press to restart the device
3)	RJ45 signal input	Connect with network cable
4)	Power/ Signal indicator	When there is power but no HDMI signal, the indicator will flash. When there is HDMI signal, the indicator will light solid blue
5)	DC5V-12V input	Connect with DC5V-12V power adapter
6)	S / PDIF out	Output digital audio signal

7)	HDMI output	Connect with HDMI display device
8)	USB-A port	Connect with keyboard, mouse and touch screen

## 6. Installation Requirements

1. Touch screen connection
2. Mouse and keyboard connection

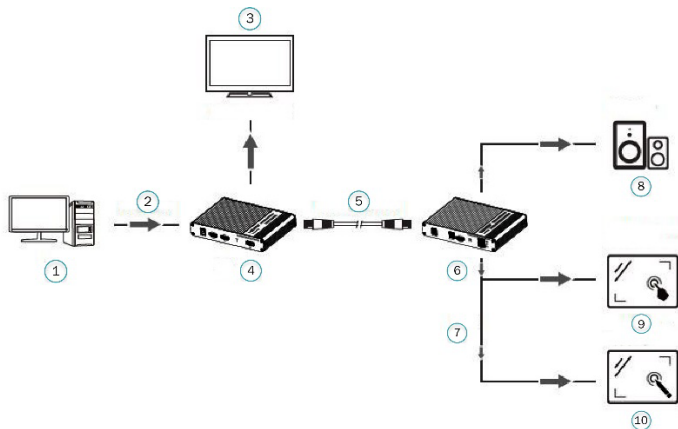
Follow the standard of IEEE-568B, It is recommended to select a network cable with less loss and crosstalk.

1)	Orange/ white
2)	Orange
3)	Green/ white
4)	Blue
5)	Blue/ white
6)	Green
7)	Brown/ white
8)	Brown



## 7. Installation Procedures

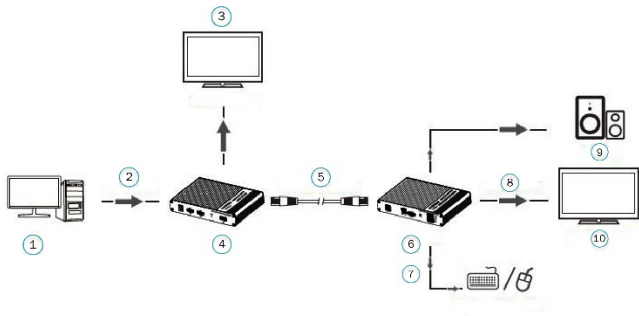
### 1. Touch screen connection



1)	PC
2)	HDMI IN
3)	HDMI Display
4)	TX
5)	Network cable
6)	RX
7)	USB
8)	Speaker

9)	Capacitive Touch Screen
10)	Resistive Touch screen

## 2. Mouse and keyboard connection



1)	PC
2)	HDMI IN
3)	HDMI Display
4)	TX
5)	Network cable
6)	RX
7)	USB
8)	HDMI out
9)	Speaker

<b>10)</b>	<b>HDMI Display</b>
------------	---------------------

- 1) Connect the source device to the HDMI in port of the transmitter with an HDMI cable, and connect the HDMI out port of the receiver to the display device with another HDMI cable
- 2) Connect the CAT out port of the transmitter and the CAT in port of the receiver via a network cable (CAT6/CAT6A/CAT7)
- 3) If using HDMI loop out, connect the display device to the HDMI OUT port of the transmitter
- 4) It takes about 25 seconds to display the image after the product is successfully connected

[NOTE]: It is recommended to use a length range within 2~70m network cable. If the cable is too short, there may be no display output because the signal is too strong. If the cable is too long, the output may be with poor quality.

## 8. Questions and Answers

Q: There is no output on screen when all connections are correct?

A:

- 1) Please make sure the HDMI cables supports 4Kx2K if the output signal from the source device is 4Kx2K resolution
- 2) Please check and make sure the network cable insert to the RJ45 port well
- 3) Restart the transmitter or receiver by pressing the reset button

Q: Black screen happened on the display/monitor?

A:

- 1) Check if the length of the cable is within the specified range
- 2) Reset the transmitter to re-built the connection

Q: The display shows unusual color or no sound?

A:

- 1) Reset the transmitter or receiver to re-built the connection
- 2) Check if the HDMI cables are connected well
- 3) Reconnect the network cable

## 9. Specification

Items		Specification
Power supply	Voltage/ Current	DC 5V-12 V
	Power consumption	TX < 4 W; RX < 4 W
HDMI Performance And Interface	HDMI compliance	HDMI 2.0
	HDCP compliance	HDCP 2.2
	HDMI resolution	480 i @ 60 Hz, 480 p @ 60 Hz, 576 i @ 50 Hz, 576 p @ 50 Hz, 720 p @ 50/60 Hz, 1080 i @ 50/60 Hz, 1080 p @ 50/60 Hz, 3840 x 2160 @ 24/25/30/50/60 Hz, 4096 x 2160 @ 24/25/30 Hz, 1280 x 960, 1280 x 800, 1280 x 768, 1680 x 1050, 1360 x 768, 1366 x 768, 1600 x 900, 1024 x 768, 800 x 600

HDMI Performance And Interface	Audio formats	LPCM / DTS-H D / DTS-Audio / Dolby Digital 5.1 CH
	Input and output TMDS signal	0.7 ~ 1.2 Vp-p (TMDS)
	Input and output DDC signal	5Vp-p (TTL)
	Input cable length	≤ 8m (AWG24)
	Output cable length	≤ 8m (AWG24)
Transmission Distance	CAT6 / 6A / 7	≤ 70m
Protection Level	Electrostatic protection of the whole machine	1a Contact discharge level 2 1b Air discharge level 3 Implementation of the standard: IEC61000-4-2
Operating Environment	Working temperature	-20 ~ 60°C
	Storage temperature	-30 ~ 70°C
	Humidity (no condensation)	0 ~ 90% RH
Body properties	Dimension	150.0 (L) x 107.0 (W) x 28.4 (H) mm

	Material	Iron
	Color	Black
	Weight	TX: 348 g, RX: 348 g

## Disclaimer

The product name and brand name may be registered trademark of related manufactures. ™ and ® may be omitted on the user manual. The pictures in this user manual are just for reference. The terms HDMI, HDMI High-Definition Multimedia Interface, and the HDMI Logo are trademarks or registered trademarks of HDMI Licensing Administrator, Inc. We reserve the rights to make changes without further notice to a product or system described herein to improve reliability, function or design.

Hereby ASSMANN Electronic GmbH declares that the Declaration of Conformity is part of the shipping content. If the Declaration of Conformity is missing, you can request it by post under the below mentioned manufacturer address.

**[www.assmann.com](http://www.assmann.com)**

Assmann Electronic GmbH

Auf dem Schüffel 3

58513 Lüdenscheid

Germany

