



# 4K HDBaseT™ HDMI KVM Extender Set, 70 m



**Quick Installation Guide**  
DS-55512

# Table of Contents

<b>1. Introduction</b> .....	<b>2</b>
<b>2. Main Features</b> .....	<b>3</b>
<b>3. Package Contents</b> .....	<b>3</b>
<b>4. Specification</b> .....	<b>4</b>
<b>5. Operation Controls and Functions</b> .....	<b>6</b>
5.1. Transmitter Panel .....	6
5.2. Receiver Panel .....	7
5.3. IR Pin Definition .....	9
<b>6. Application Example</b> .....	<b>10</b>

## 1. Introduction

The HDBaseT™ HDMI KVM Extender Set enables signal transmission over large distances using a simple copper data cable. The maximum transmission distance is 70 m (Full HD). 4K signals can be extended to up to 40 m. Thanks to PoC, only one unit needs to be supplied with power by an external power adapter. Bi-directional IR transmission and KVM functionality (USB 1.1) for connection to mouse and keyboard are also included as features.

## 2. Main Features

- Extends the maximum length for HDMI cables to up to 70 m (Full HD, 1080p/60Hz) or 40 m (UHD, 4K/30Hz) via a simple network cable
- KVM functionality (USB 1.1) for connection to mouse and keyboard
- PoC (Power over Cable) - Only the unit requires an external power adapter
- Supports Cat5e, CAT 6, CAT 6A, CAT 7, CAT 8 network cable
- Video bandwidth: 10.2 Gbps
- Supports HDBaseT™ 1.0
- HDCP 2.2, 1.4
- IR transmission (bi-directional)
- Compact design for easy and flexible installation
- Sturdy metal housing

## 3. Package Contents

- 1x Transmitter unit
- 1x Receiver unit
- 1x IR transmission cable (1.5 m)
- 1x IR receiver cable (1.5 m)
- 1x Power adapter (DC 12V/1A, 1.2 m)
- 1x USB-B-A cable (1.5 m)
- 4x Mounting plate
- 1x User manual

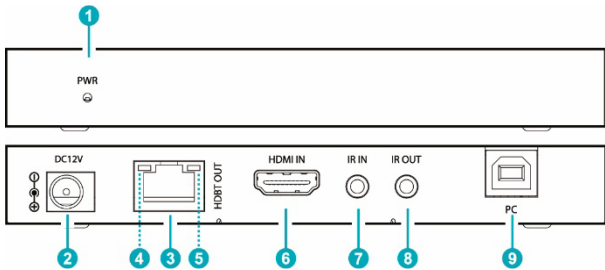
## 4. Specification

<b>Technical</b>	
HDMI Compliance	HDMI 1.4b
HDCP	HDCP 2.2/1.4
USB Version	USB 1.1
Video Bandwidth	340MHz/10.2Gbps
Video Resolution	480i ~1080p50/60Hz, 4Kx2K@24/30Hz
Color Depth	8/10/12-bit (1080P@60Hz) 8-bit (4K2K@30Hz)
Color Space	RGB, YCbCr 4:4:4/4:2:2. YUV 4:2:0
Audio Format	LPCM, Dolby Digital/Plus/EX, Dolby True HD, DTS, DTS-EX, DTS-96/24, DTS High Res, DTS-HD Master Audio, DSD
Transmission Distance	Max. distance (1080P@60Hz): 230ft / 70m over CAT 5e/6 Max. distance (4K2K@30Hz): 131ft / 40m over CAT 5e/6
ESD Protection	Human body model — ±8kV (Air-gap discharge) & ±4kV (Contact discharge)
<b>Connection</b>	
Transmitter	Inputs: 1× HDMI IN [TypeA, 19-pin female] 1× USB [USB-B, female] Output: 1× HDBaseT OUT [RJ45] Controls: 1× IR IN [3.5mm Stereo Mini-jack] 1× IR OUT [3.5mm Stereo Mini-jack]
Receiver	Input: 1× HDBaseT IN [RJ45]

	Outputs: 1× HDMI OUT [TypeA, 19-pin female] 2× USB [USB-A, female] Controls: 1× IR IN [3.5mm Stereo Mini-jack] 1× IR OUT [3.5mm Stereo Mini-jack]
<b>Mechanical</b>	
Housing	Plastic Enclosure
Color	Black
Dimensions	Transmitter / Receiver: 140mm (W) × 65mm (D) × 18mm (H)
Weight	Transmitter: 224g; Receiver: 227g
Power Supply	Input: AC100 - 240V 50/60Hz Output: DC 12V/1A(US/EU standards, CE/FCC/UL certificated)
Power Consumption	6.6W (max)
Operating Temperature	0°C ~ 40°C / 32°F ~ 104°F
Storage Temperature	-20°C ~ 60°C / -4°F ~ 140°F
Relative Humidity	20~90% RH (non-condensing)

## 5. Operation Controls and Functions

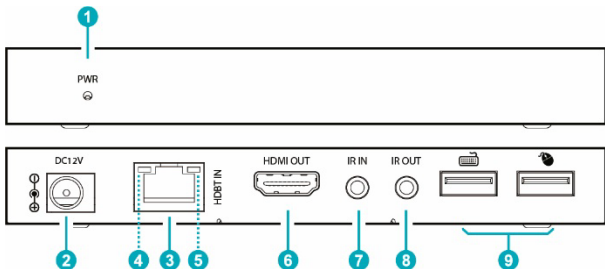
### 5.1. Transmitter Panel



No.	Name	Function Description
1	Power LED	The red LED is on when the Transmitter is powered on.
2	DC 12V	DC 12V/1A power input port. <i>Note that the extender supports POC function, it means that either Transmitter or Receiver is connected to 12V/1A power supply, the other doesn't need power supply.</i>
3	HDBT OUT	RJ45 connector for connecting the HDBT IN port of the Receiver with CAT 5e/6 cable.
4	Connection Signal Indicator (Green)	<ul style="list-style-type: none"><li>• Illuminating: Transmitter and Receiver are in good connection status.</li><li>• Flashing: Transmitter and Receiver are in poor connection status.</li><li>• Dark: Transmitter and Receiver are not connected</li></ul>

5	Data Signal Indicator (Yellow)	<ul style="list-style-type: none"> <li>• Illuminating: HDMI signal with HDCP.</li> <li>• Flashing: HDMI signal without HDCP.</li> <li>• Dark: No HDMI signal</li> </ul>
6	HDMI IN	HDMI signal input port. Connect to HDMI source device such as DVD or PC
7	IR IN	Connect to IR receiver cable for receiving the signal from the IR remote
8	IR OUT	Connect to IR blaster cable to control the source device. This IR output signal is from IR IN port of Receiver.
9	PC	USB type B port, connect to PC.

## 5.2. Receiver Panel

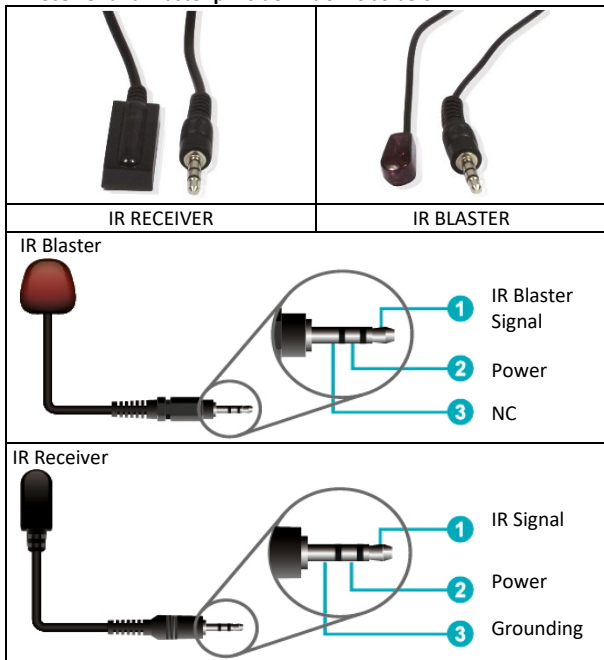


No.	Name	Function Description
1	Power LED	The red LED is on when the Transmitter is powered on.
2	DC 12V	DC 12V/1A power input port. <i>Note that the extender supports POC function, it means that either Transmitter or Receiver is connected to 12V/1A power supply, the other doesn't need power supply.</i>
3	HDBT IN	RJ45 connector for connecting the HDBT OUT port of Transmitter with CAT 5e/6 cable.
4	Connection Signal Indicator (Green)	<ul style="list-style-type: none"> <li>• Illuminating: Transmitter and Receiver are in good connection status.</li> <li>• Flashing: Transmitter and Receiver are in poor connection status.</li> <li>• Dark: Transmitter and Receiver are not connected</li> </ul>
5	Data Signal Indicator (Yellow)	<ul style="list-style-type: none"> <li>• Illuminating: HDMI signal with HDCP.</li> <li>• Flashing: HDMI signal without HDCP.</li> <li>• Dark: No HDMI signal</li> </ul>
6	HDMI OUT	HDMI signal output port. Connect to an HDMI display device with HDMI cable.
7	IR IN	Connect to IR receiver cable for receiving the signal from the IR remote.
8	IR OUT	Connect to IR blaster cable to control the source device. This IR output signal is from IR IN port of Receiver.
9	USB	USB type A ports, connect to key-board or mouse for KVM function



### 5.3. IR Pin Definition

IR Receiver and Blaster pin's definition is as below:



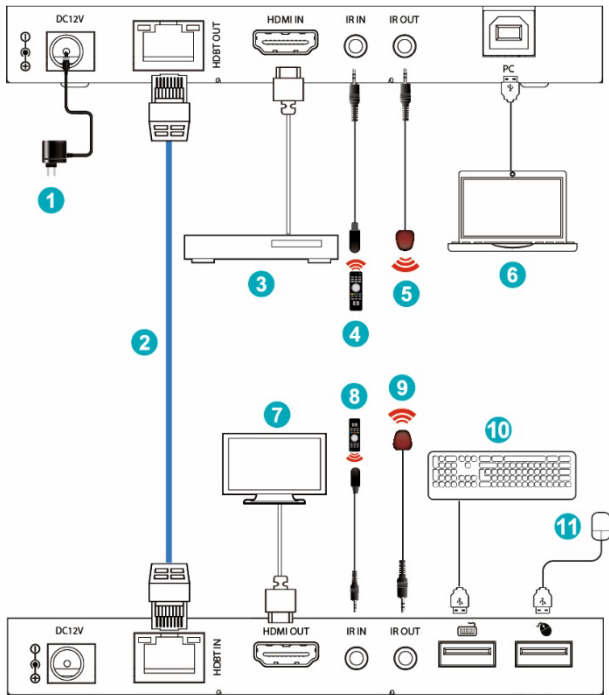
**Note:**

When the angle between the IR receiver and the remote control is  $\pm 45^\circ$ , the transmission distance is 0-5 meters;

When the angle between the IR receiver and the remote control is  $\pm 90^\circ$ , the transmission distance is 0-8 meters

## 6. Application Example

### Transmitter



### Receiver

1	Power Adapter	7	UHDTV
---	---------------	---	-------

2	CAT 5e/6 cable	8	IR Receiver
3	DVD or Blu-ray Player	9	IR Blaster
4	IR Receiver	10	Keyboard
5	IR Blaster	11	Mouse
6	PC		

## Disclaimer

The terms HDMI and HDMI High-Definition Multimedia interface, and the HDMI Logo are trademarks or registered trademarks of HDMI Licensing LLC in the United States and other countries.

HDBaseT™ and the HDBaseT Alliance logo are trademarks of the HDBaseT Alliance.

Hereby ASSMANN Electronic GmbH declares that the Declaration of Conformity is part of the shipping content. If the Declaration of Conformity is missing, you can request it by post under the below mentioned manufacturer address.

**[www.assmann.com](http://www.assmann.com)**

Assmann Electronic GmbH

Auf dem Schüffel 3

58513 Lüdenscheid

Germany

