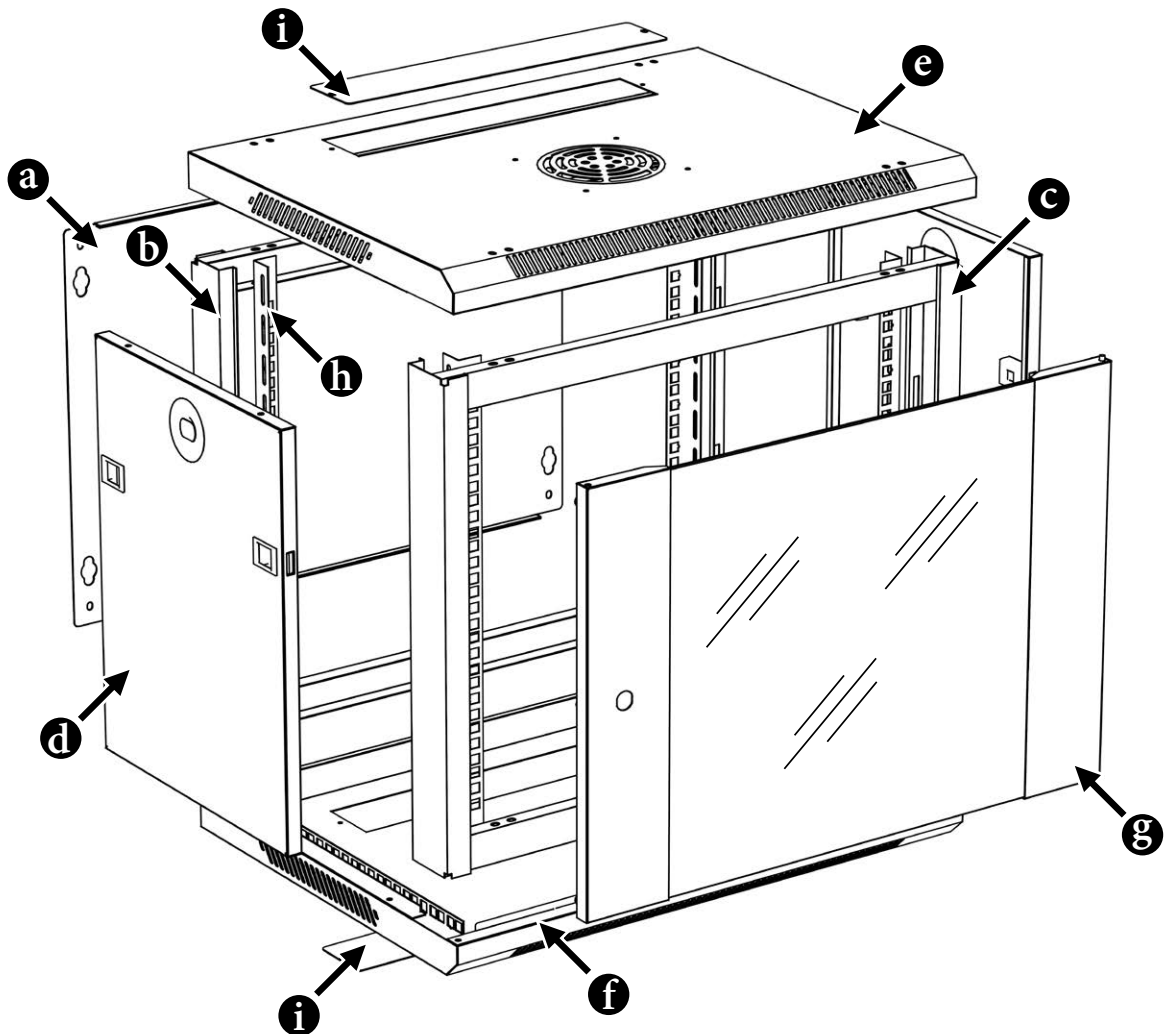
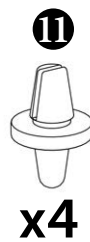
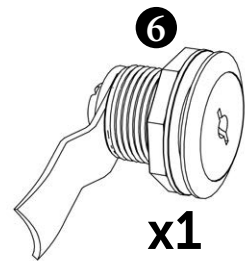
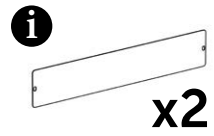
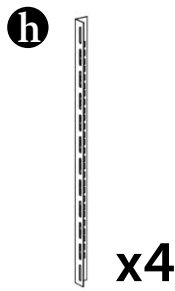
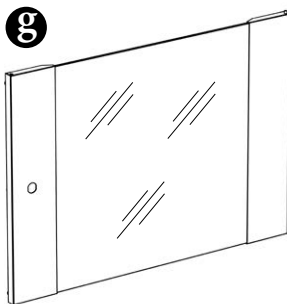
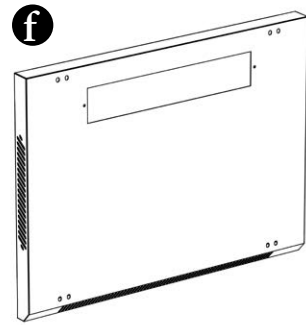
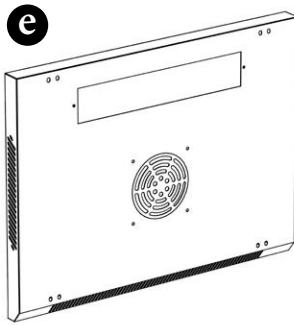
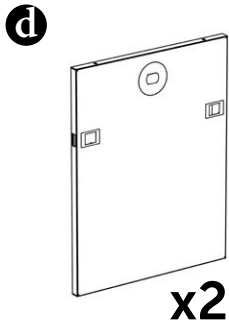
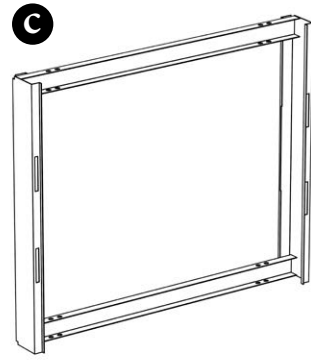
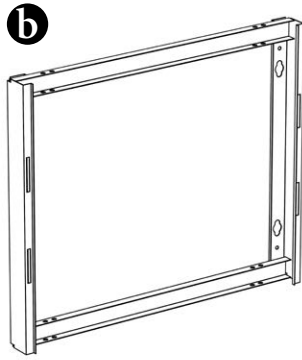
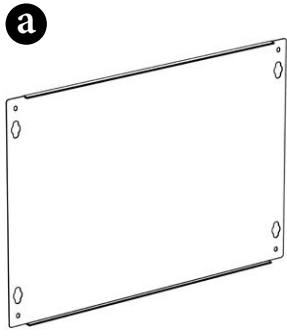
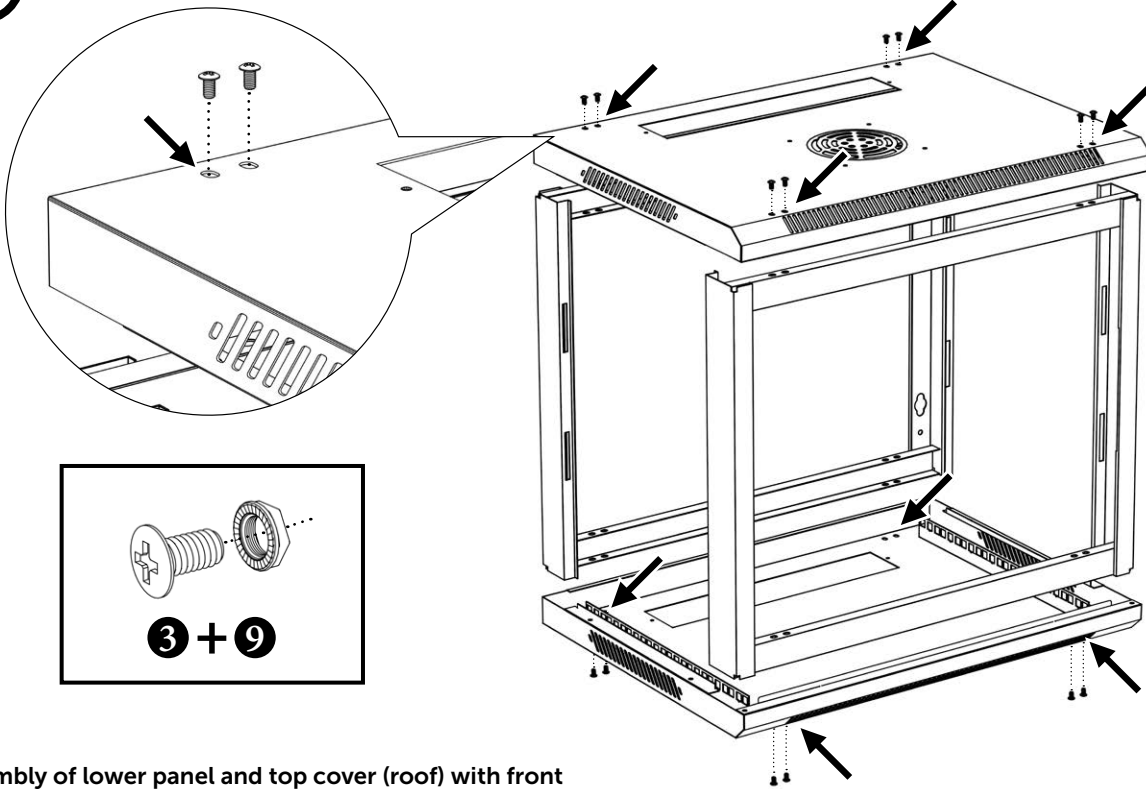


ASSEMBLY INSTRUCTIONS FOR WALL MOUNTING CABINETS





I



Assembly of lower panel and top cover (roof) with front and rear structural frames.

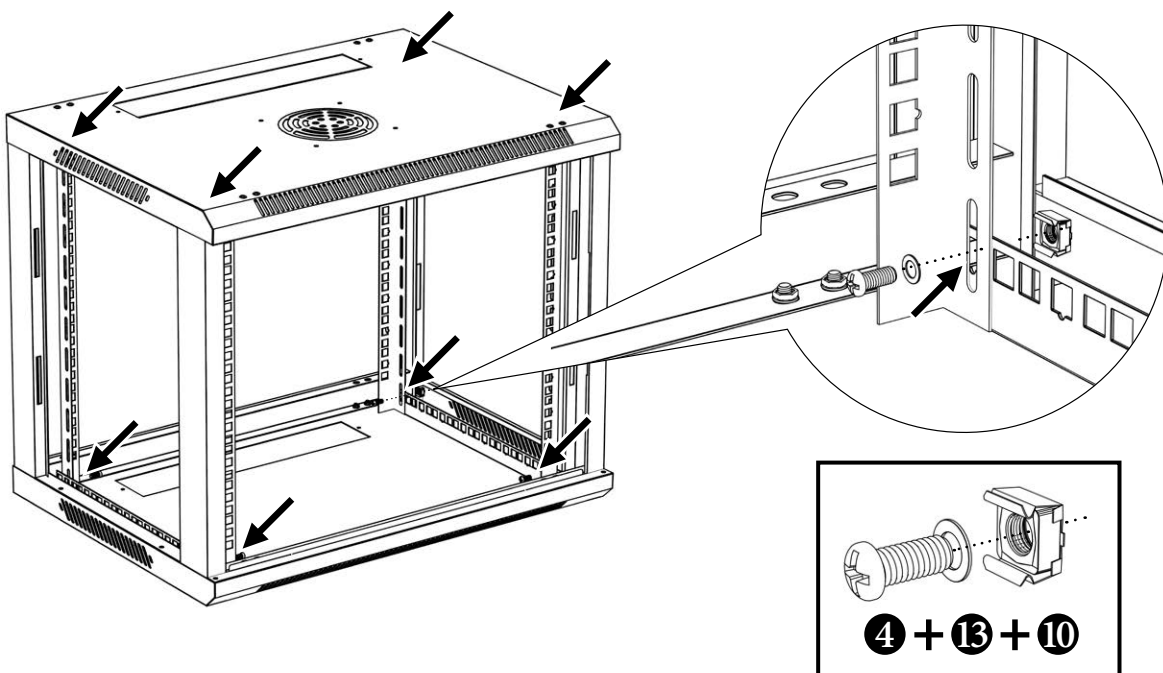
It is recommended to first fasten the front and rear frames to the bottom panel.

Final tightening of the screws should be done after installing the top cover.

II

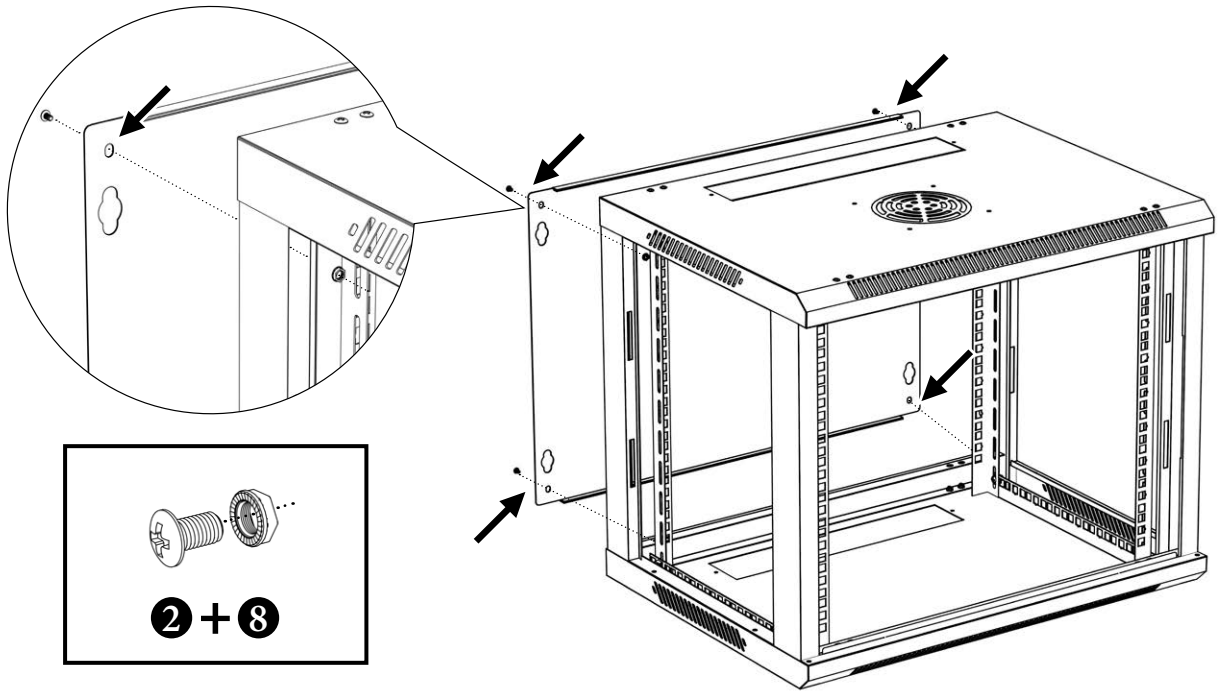
Installation of 4 mounting profiles for 19" Equipment.

Before mounting the profiles, plan their spacing from the front door and rear panel. This is determined by the dimensions of the devices and accessories to be installed in the cabinet.



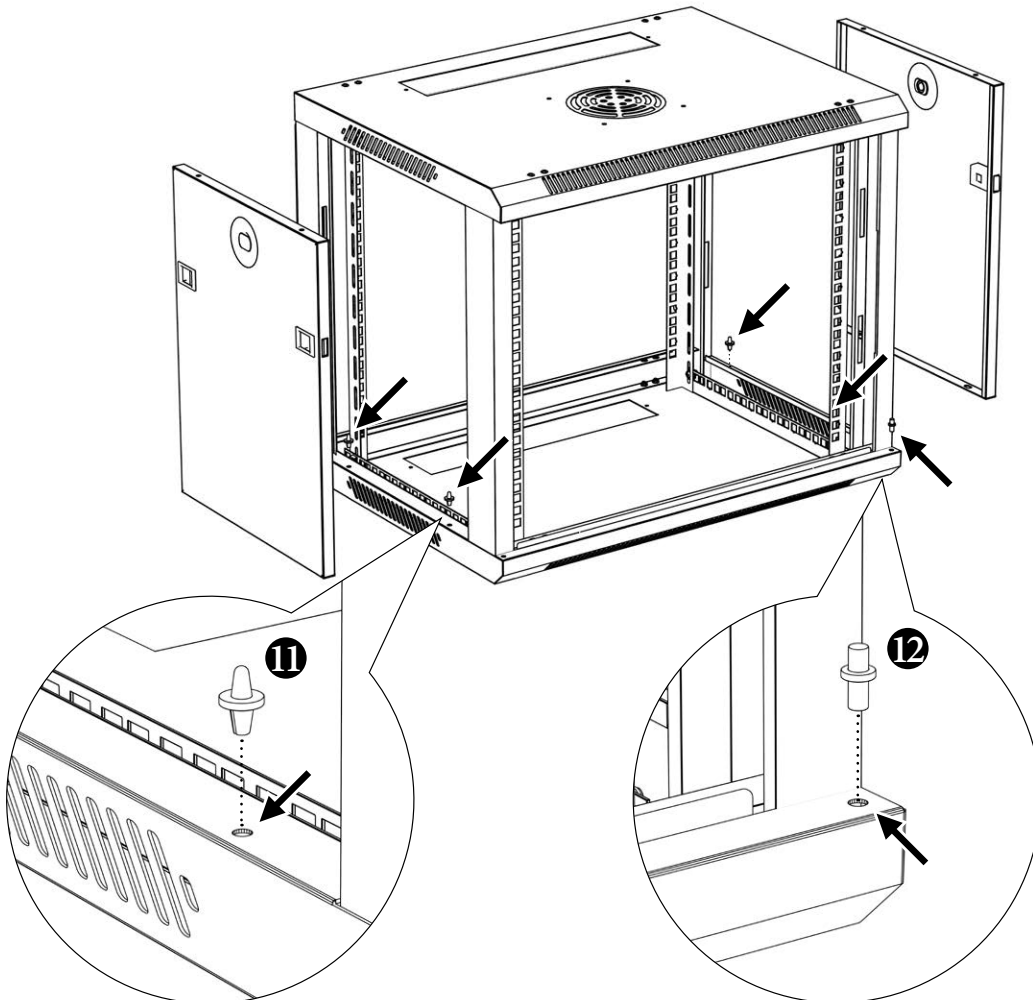


Installing the Rear Panel (Back Wall).



Installing the Side Panels, Side Panel Latches, and Front Door Hinges.

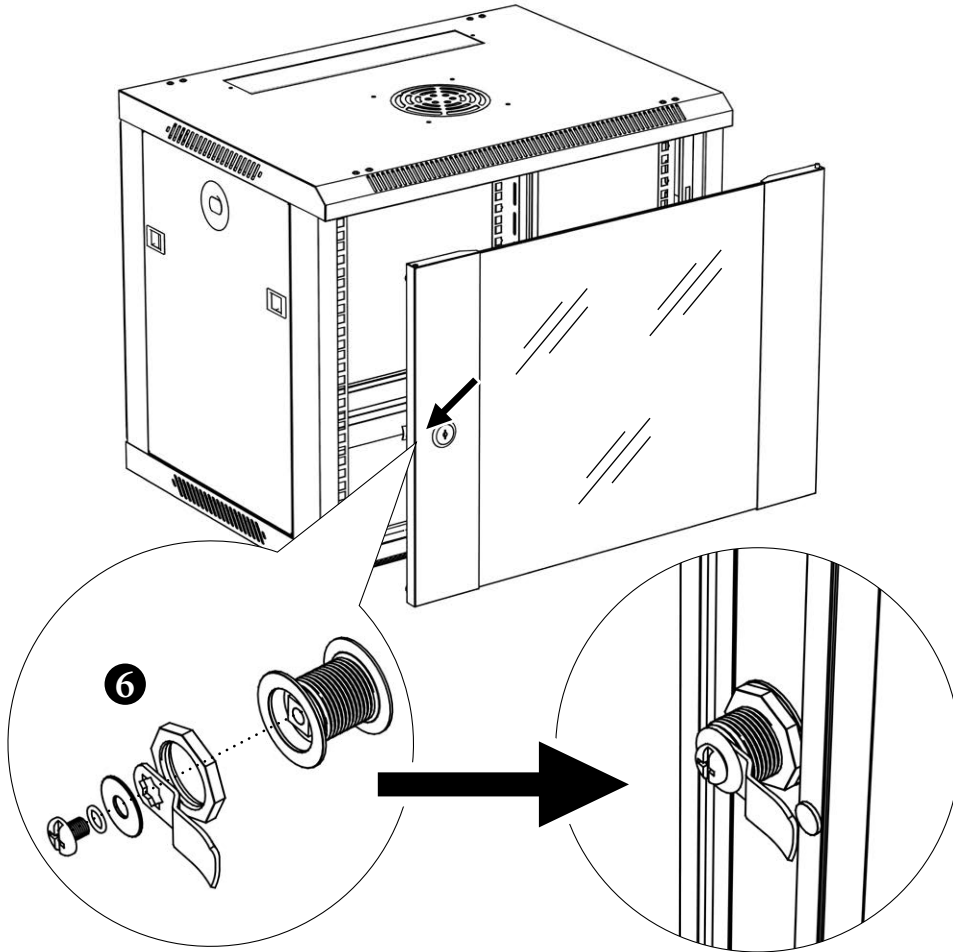
Optionally, the side panels can be equipped with locks (not included in the basic set).





Installing the Lock on the Front Door and the Glass Door in the Front Frame.

The set includes two sets of keys for the front doors.



Installing Blanking Plates in the Bottom Panel and Top Cover.

Optionally, the cabinet can be equipped with brush panels. Contact the sales department for assistance in selecting the appropriate product.

