

LED Lighting

DN-LIGHT

EAN 4016032460039



Energy efficiency rating: F

180° turnable magnet fixing

Suitable i.a. for 254 mm (10") cabinets

Infrared sensor

Abstract

Compact LED Lighting, magnetic, with sensor, including power adapter

Features

- Compact design and flexible usage via 180° turnable magnet fixing
- Screwable fixing bracket allows easy installation when magnet is not used
- No heat production
- Control: IR sensor (detection distance: 3-5 m, delay time: 30s)
- Nominal input voltage: DC 12V
- Rated wattage: 3W
- Power adapter: Input 100-240V 50/60Hz 0.15A max , output 24Vdc250mA 6W max
- LED DC Input connector: 3.5 mm/1.5 m length
- Central lumen: >300 lm
- Color temp: 6000K
- Durability in hours: 50.000
- Storage-/Operation temperature: -40 °C up to +85 °C; -20 °C up to +45 °C
- Humidity operating storage: 0-95% RH Non-condensing
- Silver aluminum housing
- Safety class: IP20 - CE & RoHS compliant

Product Number Information

Item code	Product dimensions (H x W x D)	Packaging dimensions (H x W x D)	Weight (net / gross)
DN-LIGHT	23 x 235 x 21 mm	68 x 310 x 60 mm	180 g / 220 g

Overview

The LED Lighting is flexible usable due to the 180° turnable magnet fixing. With its compact design it makes the installation not only in 483 mm (19") cabinets but also in 254 mm (10") cabinets or on any other magnetic structures possible. It can be mounted horizontally or vertically and ensures an optimized lighting via efficient LED lights, which have the maximum light power from the beginning, without warming phase. The LED Lighting offers a sensor mode (green indicator lamp is on) which automatically turns on the light when moving in front of the sensor. If there is no movement in front of the sensor the light will turn off automatically after 30 seconds. Alternatively, you can choose to keep the light turned on all the time (as long as it is connected to the power source) by turning off the sensor (green indicator lamp is off) - all by just pressing one button. A power adapter is included in the standard delivery content; therefore, the LED Lighting is ready to use.

Images

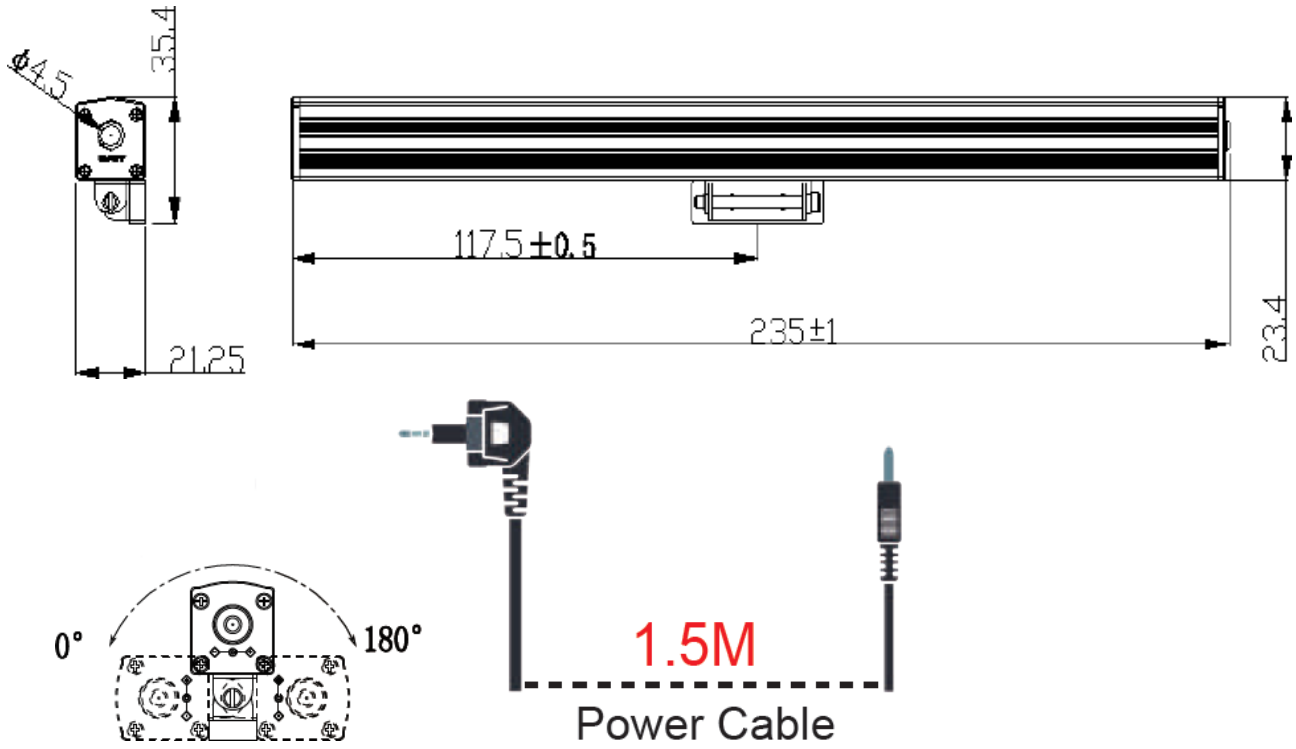


Video

View a product video of "DN-LIGHT" on the official DIGITUS® YouTube Channel (when using this PDF on a computer, smartphone or tablet, please click on the YouTube logo below. Alternatively you can also scan the QR code below):



Technical Drawings



Energy Efficiency Class

ENERGY

DIGITUS
DN-LIGHT

A
B
C
D
E
F
G

5
kWh/1000h

2019/2015