



Outdoor 4-Port Fast Ethernet PoE Switch + 1 Uplink Port



Quick Installation Guide DN-95345

Introduction

The DIGITUS® outdoor PoE switch is a high quality PoE switch in a weatherproof housing with the IP67 protection class. The housing is very sturdy and conforms to the IK10 vandalism protection class. The PoE switch offers a maximum range of up to 250 meters for PoE 802.3af devices and up to 200 meters for PoE 802.3at devices with a transmission rate of 10Mbps. When using the standard 100m range, the transmission rate is 100Mbps. This outdoor switch serves as an all-in-one device that is ready for use immediately after connecting it to the mains voltage. The device requires no settings to be made thanks to plug and play. If you plug your PoE devices into a free PoE port, the switch will automatically detect power supply and PoE mode. The all-in-one solution for outdoor PoE applications requires no separate power supply and no external overvoltage protection.

Package Contents

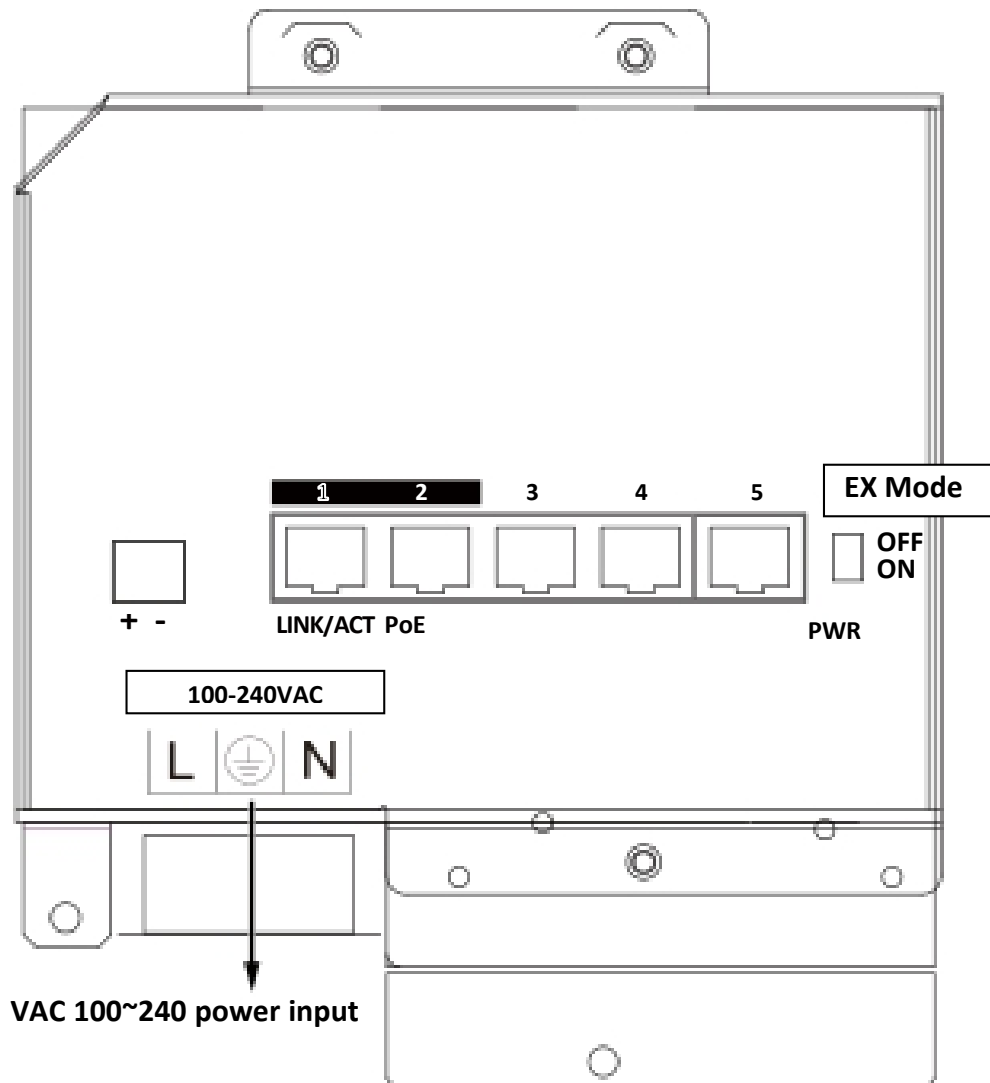
* 1x PoE switch	* 1x Quick Installation Guide
* 1x T25 L-wrench	

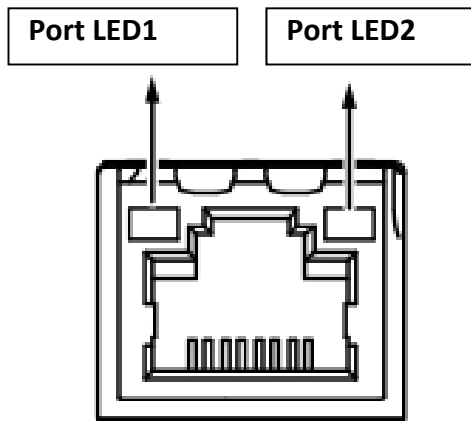
Important

1. Install the PoE switch in a ventilated and dry place that is free of electromagnetic source, vibration, moisture, and dust.
2. Make sure the ventilation openings on the switch are not blocked.
3. Use CAT5 or 5e UTP/STP cables.
4. AC input (100~240V/AC, 50~60Hz), for a max. consumption of 75W.

Connection

Industrial 4xFE PoE + 1xFE EXPoE Switch





Ex Mode Dip Switch

EX ON Ports 1 & 2 up to 250m PoE distance. When enabled, each port is isolated, but is linked to the uplink ports.

EX OFF Normal communication for ports 1 ~ 5

EX mode in 802.3af (15.4W):

Camera connection up to 250m@10Mbps via EXPoE ports.

EX mode in 802.3at (30W):

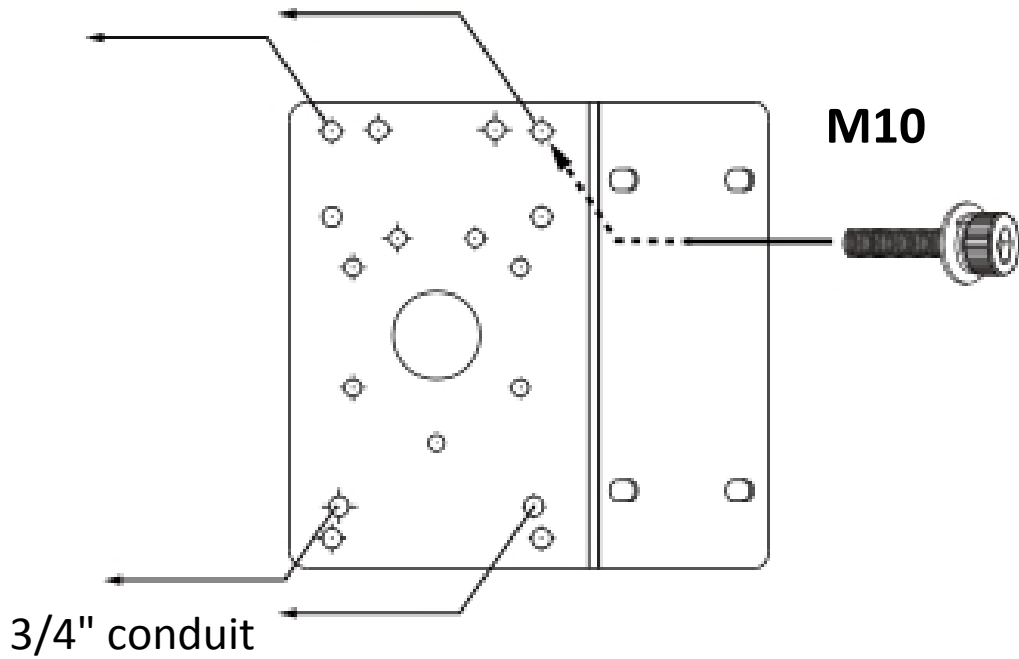
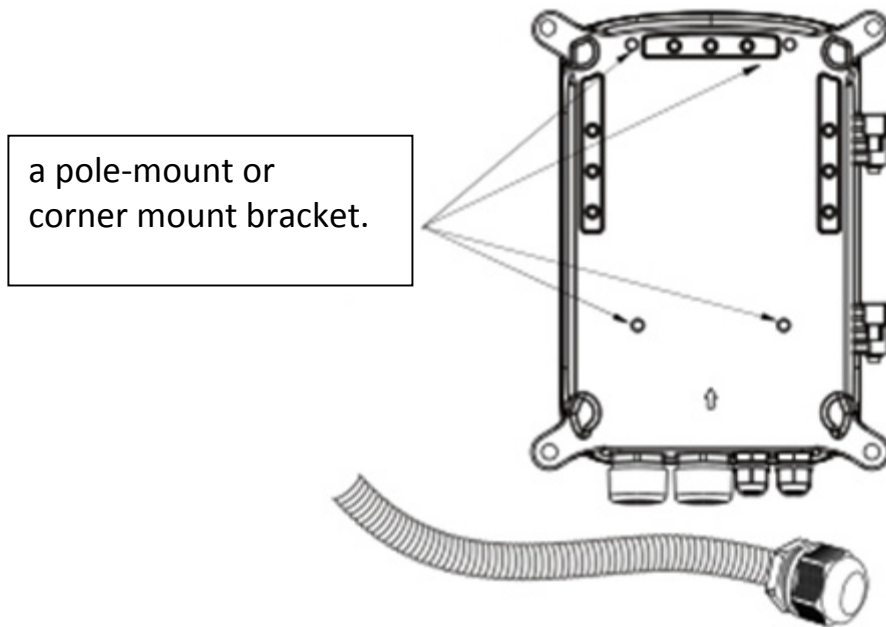
Camera connection up to 200m@10Mbps via EXPoE ports.

Led Definitions

Power	Orange ON	Power is on and normal.
	Orange Off	Power is off.
Link/Act	Green ON	Ethernet port is connected.
	Green Off	No connection.
	Green blinking	Data is being transmitted or received.
PoE	Orange ON	Port is linked to a powered device.
	Orange Off	No device is connected.
	Orange blinking	Abnormal power supply is detected.

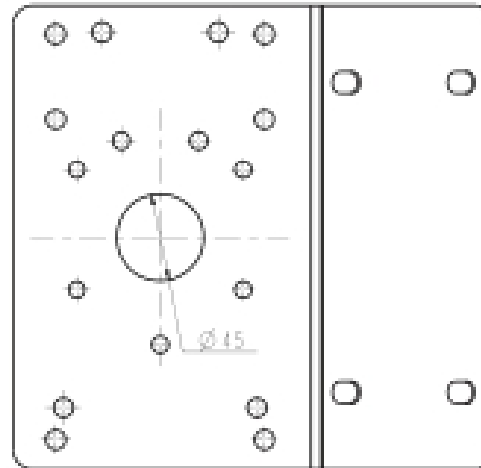
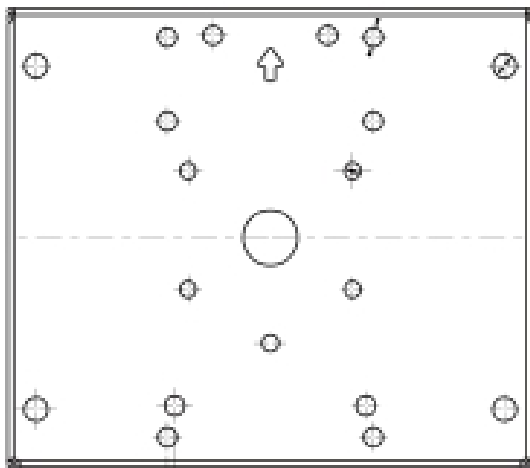
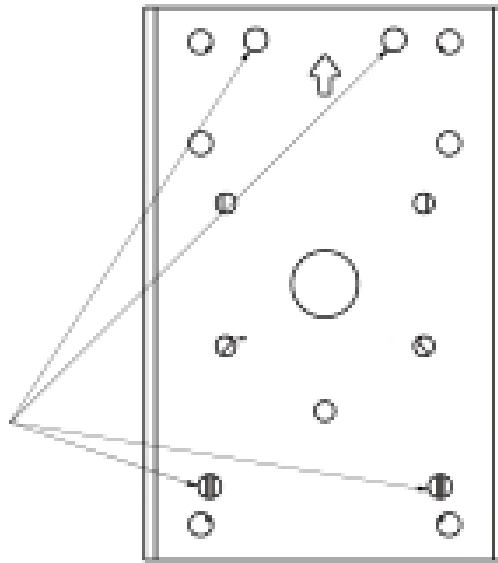
Installation

Use the included M10 hex socket screws to secure the power box to a pole-mount or corner mount bracket.



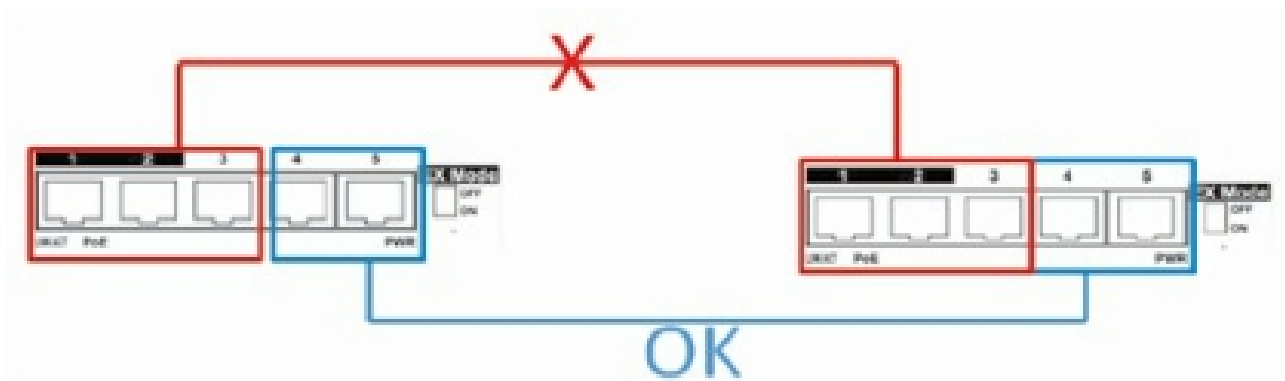
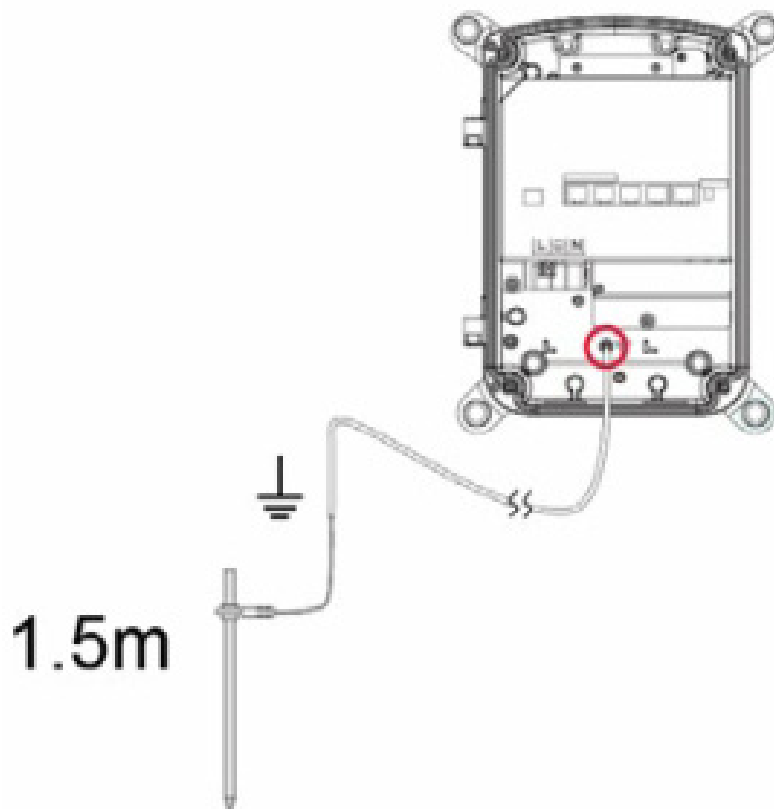
The mounting hole definition is illustrated below. The same mounting hole pattern apply to all pole-mount and corner-mount brackets.

**Outdoor PoE switch:
DN-95345**



Important

1. If the need should arise for connecting two outdoor switches, use the uplink ports #4 or #5. If you use PoE ports for cross-switch connections, the 12KV surge protection will not apply.
2. The cabinet must be grounded using a ground wire between the ground screw and earth ground.



This is a Class A product. In home environment, this product may cause radio interference. In this case, the user may be required to take appropriate measures.

Hereby Assmann Electronic GmbH, declares that the Declaration of Conformity is part of the shipping content. If the Declaration of Conformity is missing, you can request it by post under the below mentioned manufacturer address.

www.assmann.com
Assmann Electronic GmbH
Auf dem Schüffel 3
58513 Lüdenscheid
Germany

