



## **Gigabit PoE af Splitter, 10/100/1000 Mbps, 12W**



### **Manual DN-95204**

#### **Features**

- Ethernet Speed:10/100/1000Mbps Gigabit Half/Full Duplex
- PoE Standard: IEEE802.3af
- Input: Power + Data In (RJ45)
- Output: Data Out (RJ45), DC Out
- Plug-and-Play Installation - No configuration necessary
- Selectable output voltages: 5V/2A, 9V/1A, 12V/1A
- Splits the 48VDC power over RJ45 Ethernet cable into different DC output
- Status LED on the device (PoE ready/PoE in-use)
- Circuit isolation protection
- Maximum power output up to 12W
- Support wide input voltage range 34VDC to 57VDC
- Thermal cut off
- Operating Temperature: 0 to 40°C
- Dimensions (L x W x H): 80 x 55 x 23 mm
- Weight: 80g
- Color: Black

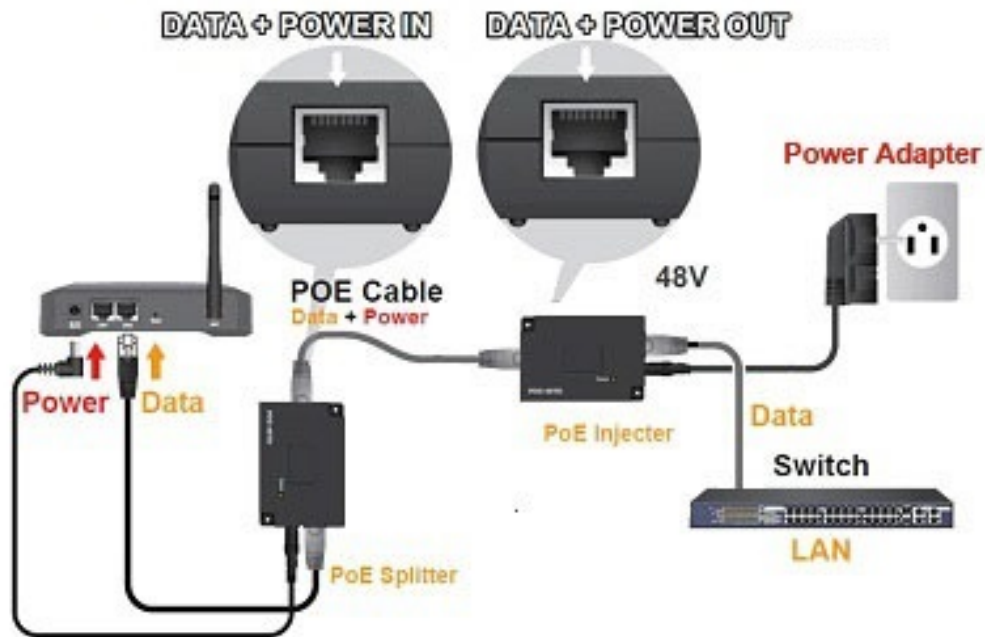
## Description

The DIGITUS PoE Splitter provide data and power via a single Ethernet Cable to devices, which are not supporting Power over Ethernet. Just connect the input of the Splitter to a PoE Switch or a PoE Injector and the output side to a non-PoE network device such as an access point, IP Phone or a Camera to provide Power and Data. The Extender is self-powered by PoE, so there is no additional power supply needed. The output voltage can be regulated via a dip switch to 5V, 9V or 12V. So this Splitter expand your network where you wish to place network device where are no power outlets available.

## Specifications

Item	Description
Ports	1 10/100/1000M RJ45 PoE Port (DATA + POWER IN) 1 10/100/1000M RJ45 LAN Port (Only DATA) 1 DC Jack (DC OUT)
Network Media	10Mbps: Cat 3,4,5 Unshielded Cable 100Mbps: Cat 5,5E Unshielded Cable 1000Mbps: Cat 5E, 6 Unshielded Cable
Pass Through Data Rates	10/100/1000 Mbps
Power Output	Adjustable 5VDC/2A, or 9VDC/1A or 12VDC/1A
Input Power Requirements	DC Input Voltage: 36 to 57 Vac
Indicators	PoE ready / in-use
Connectors	Shielded RJ-45, EIA 568A and 568B
Dimensions	80x54x24mm
Environmental Conditions	Operating Ambient Temperature: 0 to 40°C Operating Humidity: Maximum 90%, Non-condensing Storage Temperature: -20 to 70°C Storage Humidity: Maximum 95%, Non-condensing
Regulatory Compliance	IEEE 802.3af (PoE) IEEE 802.3 (Ethernet) IEEE 802.3u (Fast Ethernet) IEEE 802.3ab (Gigabit Ethernet) RoHS Compliant, CE, FCC
Electromagnetic	FCC Part15, Class B

## Application



## Package Content:

- 1 x Gigabit PoE Splitter
- 1 x Manual
- 1 x RJ45 Ethernet cable
- 1 x DC power cable
- 1 x 3.5mm Power Jack converter

Hereby ASSMANN Electronic GmbH, declares that this device is in compliance with the requirements of Directive 2014/30/EU and the Directive 2011/65/EU for RoHS compliance. The complete declaration of conformity can be requested by post under the below mentioned manufacturer address.

### Warning:

This device is a class B product. This equipment may cause some radio interference in living environment. In this case, the user can be requested to undertake appropriate measures to prevent interference.

**www.assmann.com**  
Assmann Electronic GmbH  
Auf dem Schüffel 3  
58513 Lüdenscheid  
Germany

