



DIGITUS Long Range PoE Extender 10/100 Mbit



Quick Installation Guide

DN-95129

1. Description

Introducing the PoE Extender DN-95129 - the perfect solution for extending your network's reach without compromising on performance. This compact and versatile device is designed to comply with IEEE802.3af/at/bt standards, ensuring seamless integration with your existing network infrastructure. With its rugged plastic housing and IP67 protection class, the DN-95129 is built to withstand even the harshest outdoor environments. Capable of transmitting both data and power on a single network cable, this PoE extender supports 10/100Mbps data transmission, ensuring fast and reliable connectivity. Using a single DN-95129 with a regular PoE switch, the Extender can transmit power over the internet (PoE) up to a maximum distance of 100 meters with 100Mbps. And with two PoE extender units, the PoE distance can be extended to 300 meters with 100Mbps or up to 800 meters maximum with 10Mbps. The DN-95129 features one PD receiving terminal and one PSE supply terminal, making it easy to install and use. Simply plug and play - no configuration is required. And with an operating temperature range of -10°C to 55°C, this device is perfect for use in a wide range of environments. In summary, the PoE Extender DN-95129 is a reliable and cost-effective solution for extending your network's reach. Its compliance with industry standards, rugged design, and ease of use make it an ideal choice for any outdoor network setup.

2. Features

- Complies with IEEE802.3af/at/bt Standard
- Capable of transmitting both data and power on a single network cable
- Support 10/100Mbps data transmission
- Single DN-95129 use with a regular PoE Switch, power over internet(PoE) distance is 100 meters maximum with 100Mbps
- Two DN-95129 use with a regular PoE Switch, power over internet(PoE) distance is 300 meters with 100Mbps or up to 800 meters maximum with 10Mbps
- Plug-and-play, no configuration required
- It's ideal for harsh outdoor environment
- Plastic housing, protection class IP67

3. Package Contents

- 1x PoE Extender
- 1 x QIG

4. Specifications

Standard	IEEE802.3, IEEE802.3u, IEEE802.3ab, IEEE802.3x, IEEE802.3af, IEEE802.3at, IEEE802.3bt
Port	2*10/100Mbps RJ45 ports
Network Media (Cable)	10BASE-T: UTP category 3,4,5 cable (≤100m) 100BASE-TX: UTP category 5 cable (≤100m)
Dimensions (L*W*H)	156.5*29*29MM
PD Port Input	IEEE802.3af/at/bt
PoE Power Output	IEEE802.3af/at/bt
PSE Power On RJ45	Data Pairs 1/2 (+) 3/6 (-) , 4/5 (+) 7/8 (-)
Temperature	Operating Temperature:-10 °C ~ 55 °C Storage Temperature: -40 °C ~ 70 °C
Humidity	Operating Humidity: 10% ~ 90% non-condensing Storage Humidity: 5% ~ 90% non-condensing
Weather Rating	IP67

5. Notes on Installation and Use

Precautions: To avoid equipment damage and personal injury, observe the following precautions:

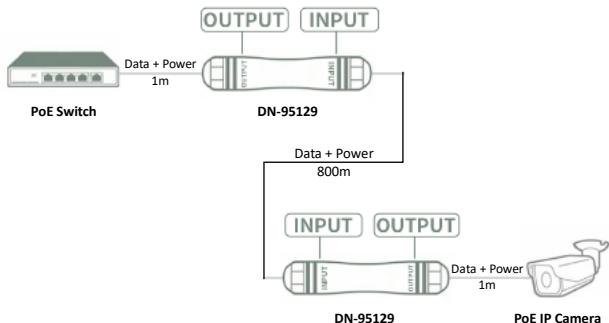
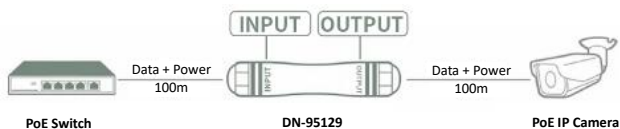
- The nut of the waterproof connector should be tightened completely with the thread of the connector to fit the hexagonal plane, otherwise it will easily lead to water ingress and damage to the machine;
- Do not place the machine near water or any damp area. Prevent water or moisture from entering the machine chassis;
- Do not place the machine on an unstable case or desk. The machine might be damaged severely in case of a fall;
- Ensure proper ventilation of the equipment room and keep the ventilation vents of the machine free of obstruction;
- Make sure that the operating voltage is the same one labeled on the machine;
- To avoid the danger of electric shock, do not open the chassis without authorization; If any fault occurs, contact professional maintenance personnel.

6. Application Schematic

Application diagram of PoE Extender. Pay attention to the direction of INPUT and OUTPUT.

- When a single extender is used, the input port (INPUT) is connected to a PoE Switch and the output port (OUTPUT) is connected to an IP terminal device, which can extend 100Mbps data by 100m;
- When two extenders are used together, the output port (OUTPUT) of one extender is connected to a PoE Switch, the input port (INPUT) is connected to the input port (INPUT) of the other extender, and the output port (OUTPUT) is connected to an IP terminal device. It can extend 100Mbps data by 300m and 10Mbps data by 800m.

Please see the application schematic for specific connection methods.



This is a Class A product. In home environment, this product may cause radio interference. In this case, the user may be required to take appropriate measures.

Hereby Assmann Electronic GmbH, declares that the Declaration of Conformity is part of the shipping content. If the Declaration of Conformity is missing, you can request it by post under the below mentioned manufacturer address

www.assmann.com
ASSMANN Electronic GmbH
Auf dem Schüffel 3
58513 Lüdenscheid, Germany

