

DIGITUS® Shutter for Trunking



DN-93802-1-SH

✓ Directly mount in trunking

✓ Large label field

Abstract

DIGITUS® Shutter with transparent label field

Features

- Directly mount in trunking
- Large label field

Product Overview

The DIGITUS Keystone shutters are available in 1 port version. The shutter will support all of the DIGITUS Keystone Jacks enabling shielded and unshielded Category 5e, 6 & 6A terminations to be presented in a uniform fashion. Fixing clips are positioned on the rear of the shutter to allow the fitment horizontally or vertically mounted trunking whilst maintain upright orientation of the shutter.

Part Number Information Modular Patch Panel (RAL 9010)

DN-93802-1-SH	DIGITUS® 22.5x45 mm 1-port shutter with transp. label field, copper Keystone Jacks
DN-93802-2-SH	DIGITUS® 45 x 45 mm 1-port shutter with transp. label field, copper Keystone Jacks
DN-93802-3-SH	DIGITUS® 45 x 45 mm 2-port shutter with transp. label field, multimedia Keystone Jacks
DN-93802-4-SH	DIGITUS® 1-port shutter with transp. label field, multimedia Keystone Jacks
DN-93802-5-SH	DIGITUS® 80 x 80 mm face plates

Part Number Information Modular Patch Panel (RAL 9016)

DN-93802-1-SH-6	DIGITUS® 22.5 x 45 mm 1-port shutter with transp. label field, copper Keystone Jacks
DN-93802-2-SH-6	DIGITUS® 45 x 45 mm 1-port shutter with transp. label field, copper Keystone Jacks
DN-93802-3-SH-6	DIGITUS® 45 x 45 mm 2-port shutter with transp. label field, multimedia Keystone Jacks
DN-93802-4-SH-6	DIGITUS® 22.5 x 45 mm 1-port shutter with transp. label field, multimedia Keystone Jacks
DN-93802-5-SH-6	DIGITUS® 80 x 80 mm face plates

Performance and Specification Table

Dimensions 1-port: 22.5 mm x 45 mm; 2-port: 45 mm x 45 mm; Face Plate: 80 mm x 80 mm

Label Dimension 15.00 mm x 12.00 mm

Material LSZH, UL-94V-0

Product Images

DN-93802-1-SH



DN-93802-2-SH



DN-93802-3-SH



DN-93802-4-SH

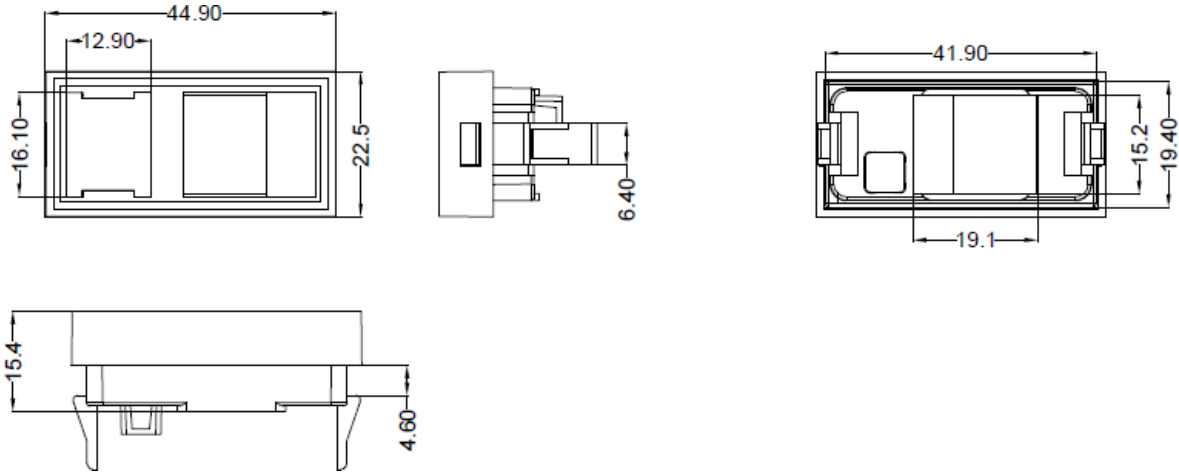


DN-93802-5-SH

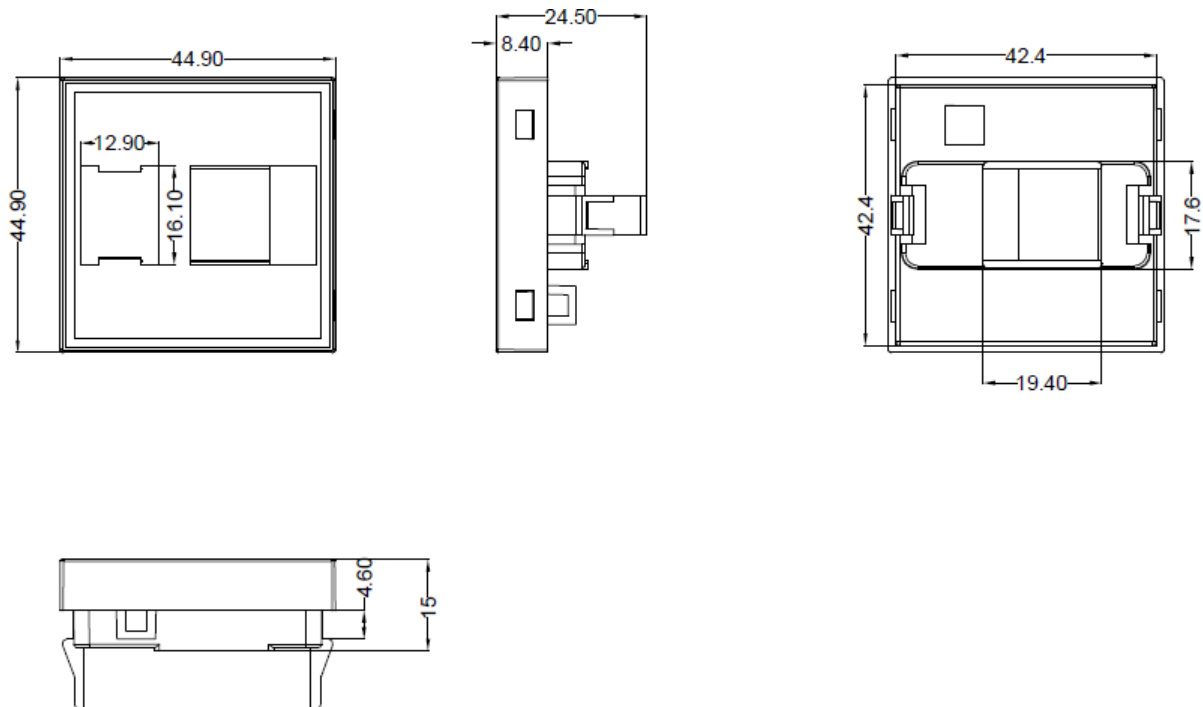


Technical Drawings

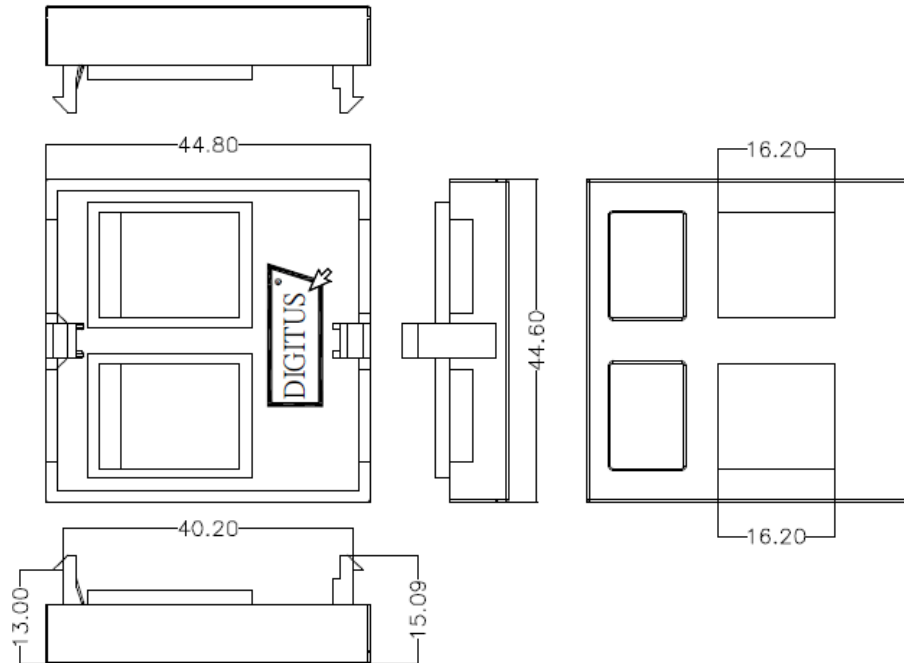
DN-93802-1-SH



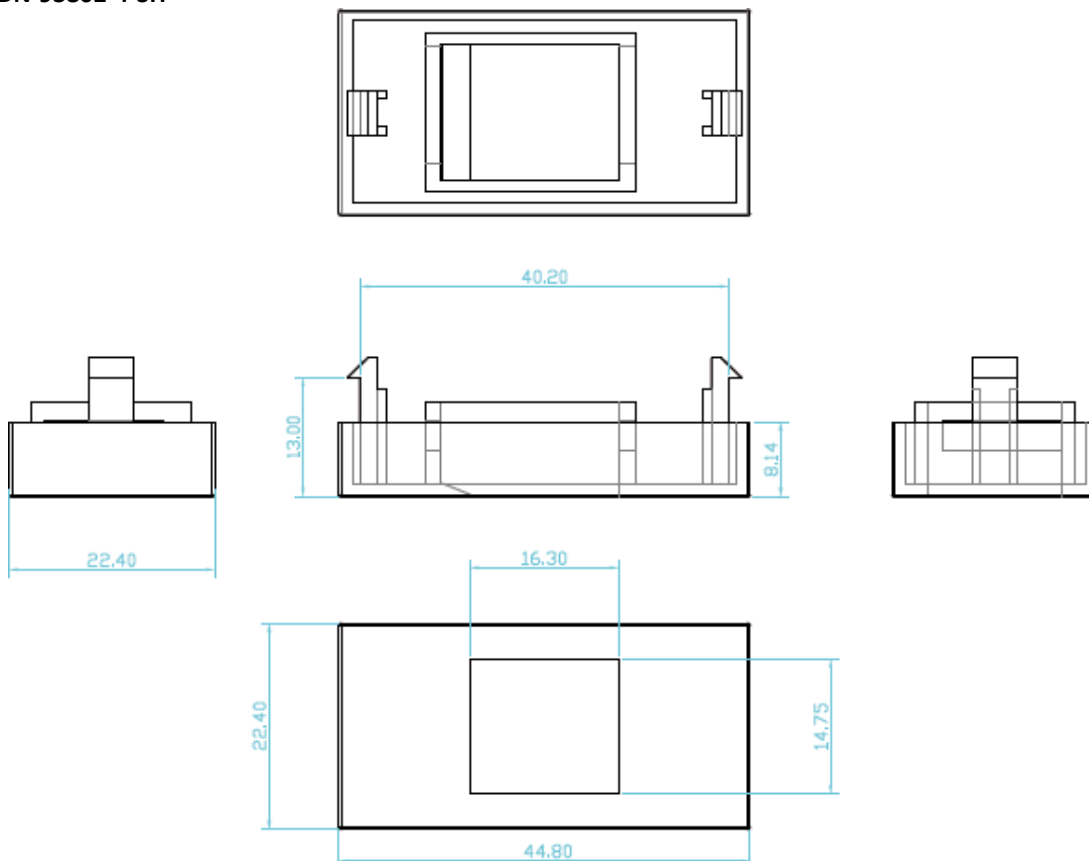
DN-93802-2-SH



DN-93802-3-SH



DN-93802-4-SH



DN-93802-5-SH

