

INSTALLATIONSANLEITUNG

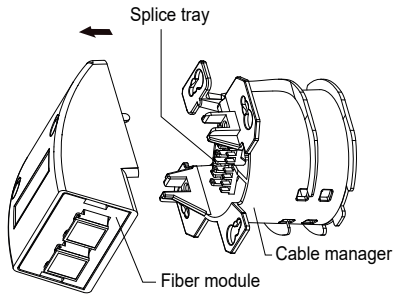
DN-93201

INSTALLATION GUIDE

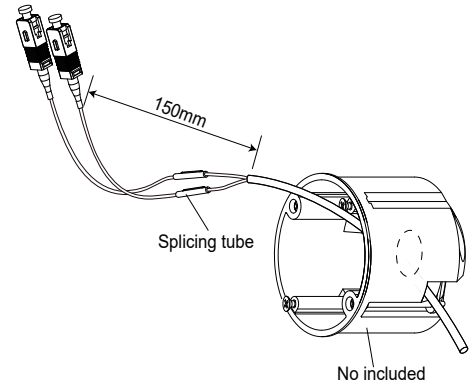
DN-93201



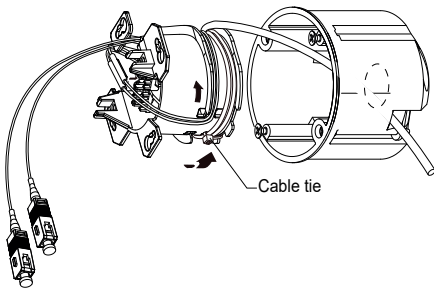
- 1** Separate fiber module and faceplate from outlet.



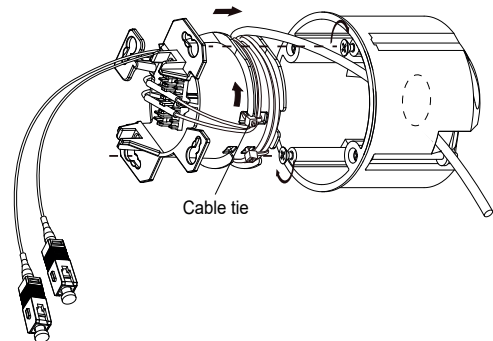
- 2** Insert fibers into wall box, cut and keep ca. 150mm pigtail fibers for splicing and splice them according to the instruction of the splice unit used.



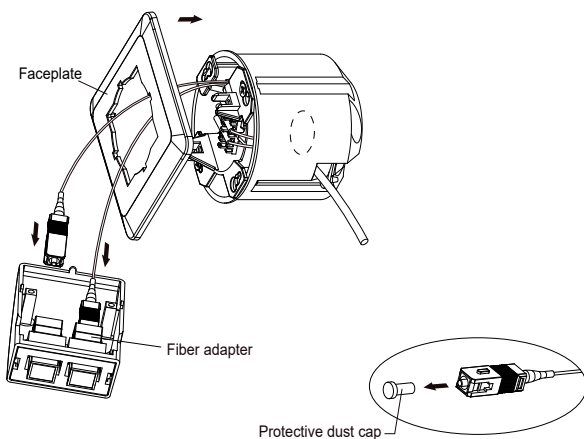
- 3** Allocate splicing tubes on splice tray, route the excess length of fiber cables on cable manager and fixed with cable tie



- 4** Place the wired unit back into wall box. Align the screw hole with back box screws for positioning.



- 5** Place back faceplate, remove protective dust cap from cable, insert the cable to FO adapters on fiber module



- 6** Screw the fiber module, install port designation paper/ protective cover and screw hole cap to complete installation.

