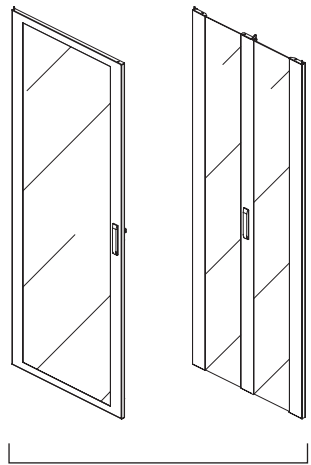
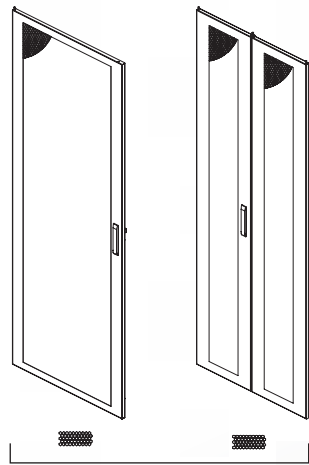


NETWORK-/SERVER CABINET

UNIQUE SERIES – CONFIGURATIONS



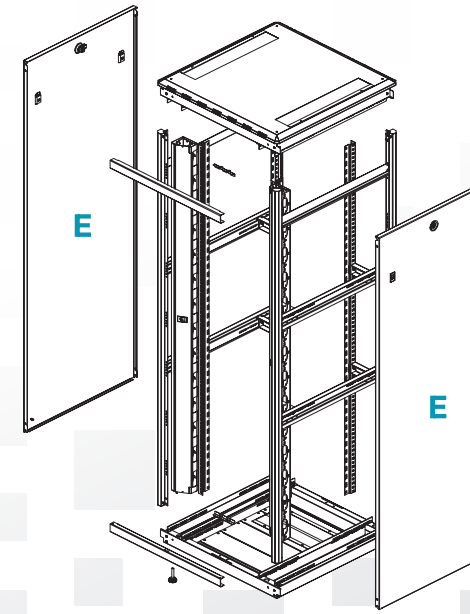
B



C



D



A*



F

HU	Width x Depth in mm	A Base chassis* incl. roof & base	B Glass door		C Perforated steel door		D Closed steel door		E Side panel, single piece	F Steel rear door with cable entries**
			Single opening	Split opening	Single opening	Split opening	Single opening	Split opening		
26	600 x 600	■ ■	■ ■	×	■ ■	×	×	×	Both sides, one side or without	■ ■
	600 x 800	■ ■	■ ■	×	■ ■	×	×	×	Both sides, one side or without	■ ■
	600 x 1000	■ ■	■ ■	×	■ ■	×	×	×	Both sides, one side or without	■ ■
	800 x 800	■ ■	■ ■	×	×	×	×	×	Both sides, one side or without	■ ■
	800 x 1000	■ ■	■ ■	×	×	×	×	×	Both sides, one side or without	■ ■
32	600 x 600	■ ■	■ ■	×	×	×	×	×	Both sides, one side or without	■ ■
	600 x 800	■ ■	■ ■	×	×	×	×	×	Both sides, one side or without	■ ■
	800 x 800	■ ■	■ ■	×	×	×	×	×	Both sides, one side or without	■ ■
36	600 x 600	■ ■	■ ■	×	×	×	×	×	Both sides, one side or without	■ ■
	600 x 800	■ ■	■ ■	×	×	×	×	×	Both sides, one side or without	■ ■
	800 x 800	■ ■	■ ■	×	×	×	×	×	Both sides, one side or without	■ ■
42	600 x 600	■ ■	■ ■	×	■ ■	×	■ ■	×	Both sides, one side or without	■ ■
	600 x 800	■ ■	■ ■	×	■ ■	×	■ ■	×	Both sides, one side or without	■ ■
	600 x 1000	■ ■	■ ■	×	■ ■	×	■ ■	×	Both sides, one side or without	■ ■
	800 x 800	■ ■	■ ■	■ ■	■ ■	■ ■	■ ■	■ ■	Both sides, one side or without	■ ■
	800 x 1000	■ ■	■ ■	■ ■	■ ■	■ ■	■ ■	■ ■	Both sides, one side or without	■ ■
	800 x 1200	■ ■	■ ■	■ ■	■ ■	■ ■	■ ■	■ ■	Both sides, one side or without	■ ■
47	800 x 800	■ ■	■ ■	×	×	×	×	×	Both sides, one side or without	■ ■
	800 x 1000	■ ■	■ ■	×	×	×	×	×	Both sides, one side or without	■ ■

*: without doors/side panels

** : Steel rear door with cable entries for 600 mm width cabinets single opening;
for 800 mm cabinets split opening

Note: Only the cabinet width is relevant for selecting doors.

Note: All standard doors (without cable entries) including swing handle with profile half-cylinder lock, can be used on front or rear side of the cabinet.