

Roof Cooling Units for variable 483 mm (19") installation



✓ flexible mounting to any height unit

✓ suitable also for varioFLEX cabinets

✓ 2 or 4 fans

✓ incl. thermostat & switch

Abstract

Roof Cooling Units for variable 483 mm (19") installation, 2 fans or 4 fans

Features

- Variable mounting at the 483 mm (19") profile rails possible (any height unit)
- Also suitable for roof/base installation in varioFLEX cabinets, due to attached brackets in delivery content
- Noise level: 47 dB/m
- incl. thermostat, adjustable from 0 °C up to +70 °C
- On/off switch
- Air flow: 4.6 resp. 9.2 m³/min.
- 2 or 4 already mounted fans
- 1.8 m cable with safety plug

Product Overview

The roof ventilation units are variable mountable into 483 mm (19") cabinets. Each fan unit comes with two sets of mounting brackets. With the standard set you can install your fan unit into any height unit space of your network- or server cabinet. The second bracket set makes the fan unit possible to be mounted into the roof of 483 mm (19") network- or server cabinets of the varioFLEX series. A switch as well as an adjustable thermostat provides best options for customizations. The model is available in standard color grey (RAL 7035) and black (RAL 9005), equipped with either two or four fans.

Product Number Information

Item code	Color	Product dimensions HxWxD in mm	Quantity of equipped fans
DN-19 FAN-2-HO	Grey (RAL 7035)	45x483x174 mm	2
DN-19 FAN-2-HO-SW	Black (RAL 9005)	45x483x174 mm	2
DN-19 FAN-4-HO	Grey (RAL 7035)	45x483x354 mm	4
DN-19 FAN-4-HO-SW	Black (RAL 9005)	45x483x354 mm	4

Product Images

DN-19 FAN-2-HO | equipped with mounting brackets for varioFLEX cabinets



DN-19 FAN-4-HO | equipped with mounting brackets for varioFLEX cabinets

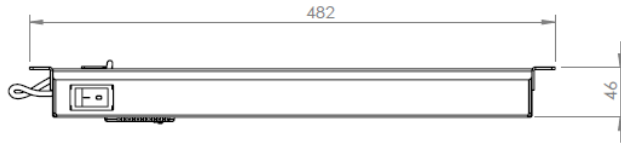


Example of application | 483 mm (19") mounting and & roof mounting varioFLEX

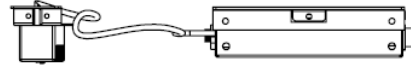


Technical Drawings

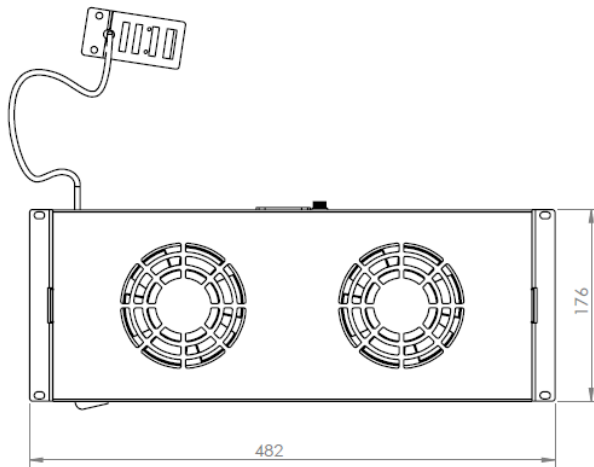
DN-19 FAN-2-HO | equipped with mounting brackets for varioFLEX cabinets



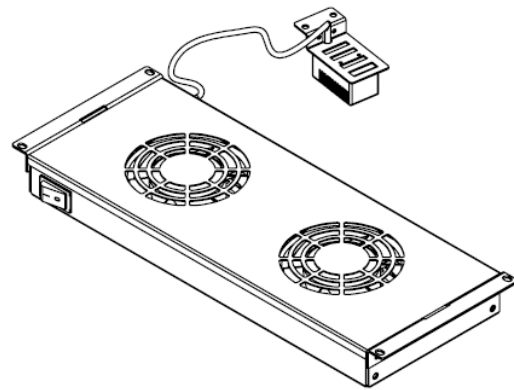
FRONT VIEW



SIDE VIEW

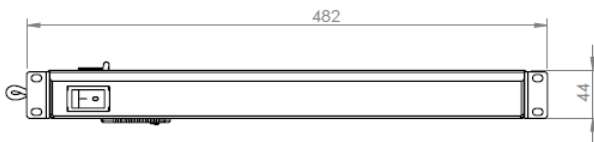


TOP VIEW

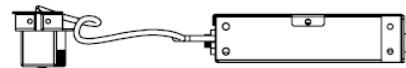


ISOMETRIC VIEW

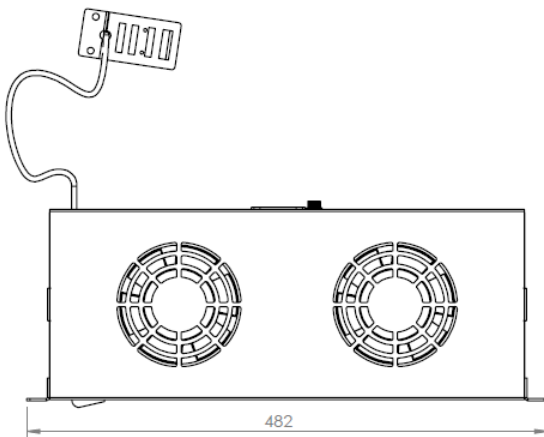
DN-19 FAN-2-HO | equipped with 483 mm (19") mounting brackets



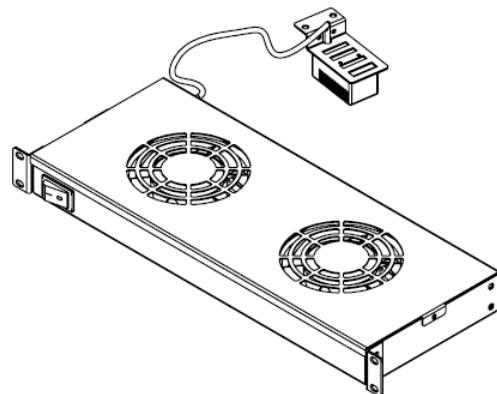
FRONT VIEW



SIDE VIEW

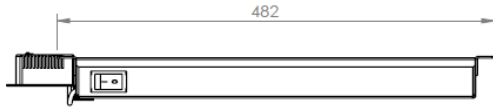


TOP VIEW



ISOMETRIC VIEW

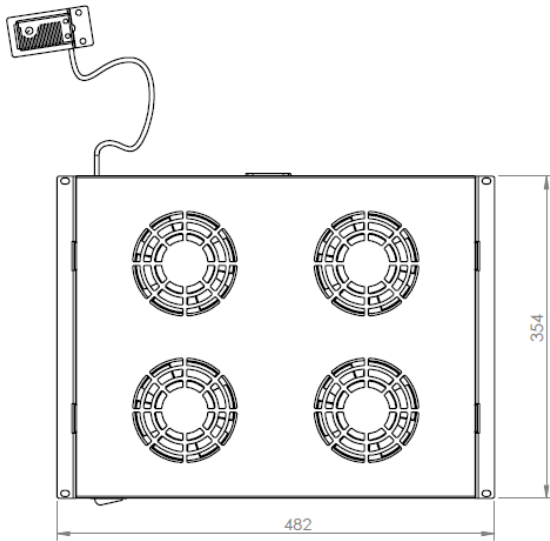
DN-19 FAN-4-HO | equipped with mounting brackets for varioFLEX cabinets



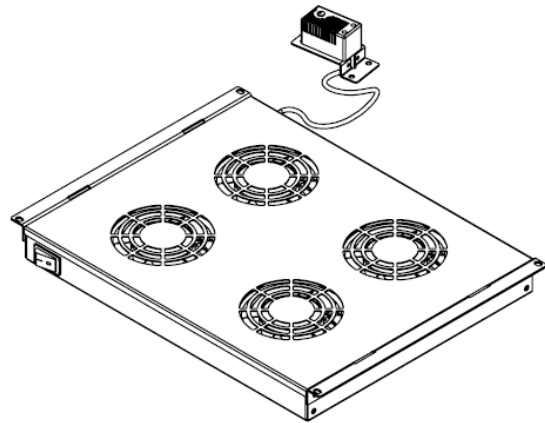
FRONT VIEW



SIDE VIEW

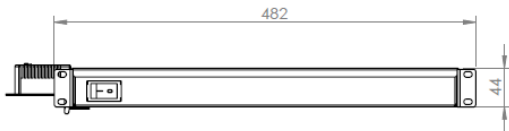


TOP VIEW

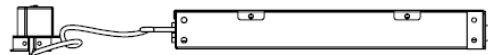


ISOMERIC VIEW

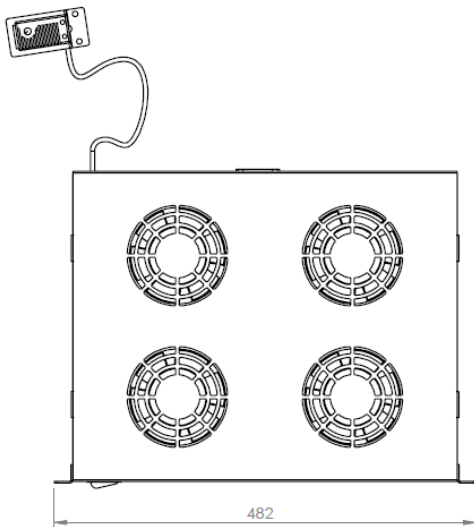
DN-19 FAN-4-HO | equipped with 483 mm (19") mounting brackets



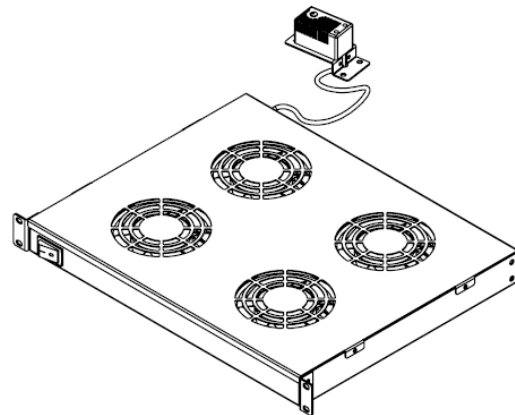
FRONT VIEW



SIDE VIEW



TOP VIEW



ISOMERIC VIEW