



IP / ANALOG SURVEILLANCE CAMERA



DN-16050 / DN-16051/DN-16052/DN-16052

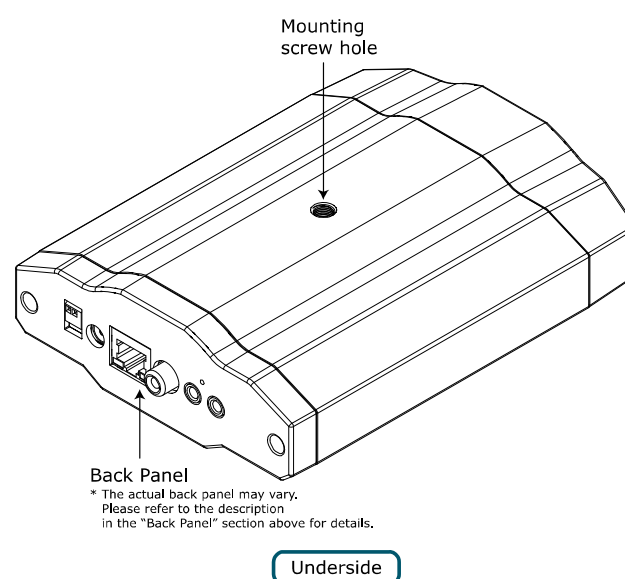
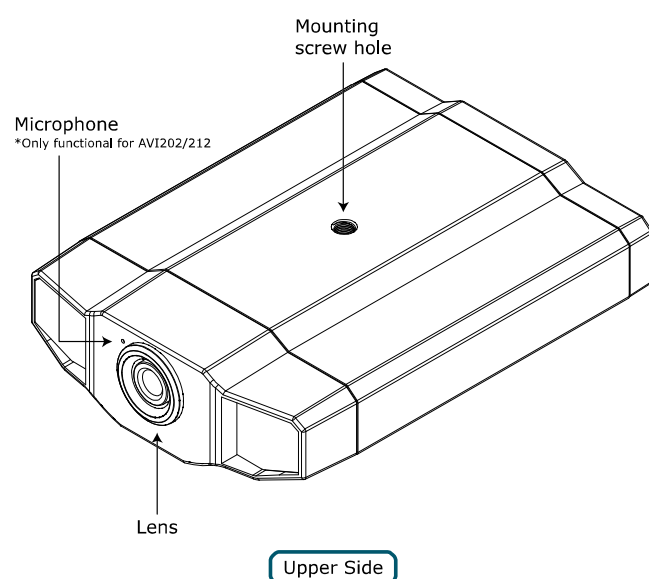
Quick Installation Guide

1. HARDWARE OVERVIEW

1.1 Rear Panel

CONNECTOR / BUTTON	DESCRIPTION
Reset Default	This button is hidden in the pinhole. Press and hold the reset button until the network camera rebooted. This will reset all parameters, including the IP address to factory default settings.
Power Indicator	When the camera is power-supplied, this indicator will be on as red.
Audio Output (DN-16051/DN-16052/DN-16052 only)	Support the connection to an audio device, such as a speaker, for voice transmission of the remote side.
Audio Input (DN-16051/DN-16052/DN-16052 only)	Support the connection to an audio device, such as a microphone, for voice transmission of the local side.
Video Output	Connect to the video input connector of your monitor with a video cable (i.e. a RCA line with the BNC connector, or a coaxial line) for video output. * The video cable is optional.
LAN	Connect the camera to the network with the supplied RJ45 cable.
Power Connector	Connect the DC 12V adapter for power supply.
Alarm Connector (DN-16051/DN-16052/DN-16052 only)	Support the connection to an alarm device for function scalability.

1.2 Upper Side & Underside



1.3 Package Contents

- Network camera
- Adapter and power cord
- Bracket
- RJ45 network cable

- Quick user guide
- CD-ROM disc for user manual
- CD-ROM disc for *Video Viewer AP Software*

2. INSTALLATION

2.1 Install the Hardware

This camera can be installed in two ways: ceiling-mounted and desktop. During the installation, please make sure the upper side of the camera is always facing up, as shown in Figure 1 below, regardless of which installation way you're using. This is to ensure the video output won't be up side down.

Note: The illustrations below are based on the ceiling-mounted installation.

Note: For the detailed cable connection, please refer to the section "Rear Panel".

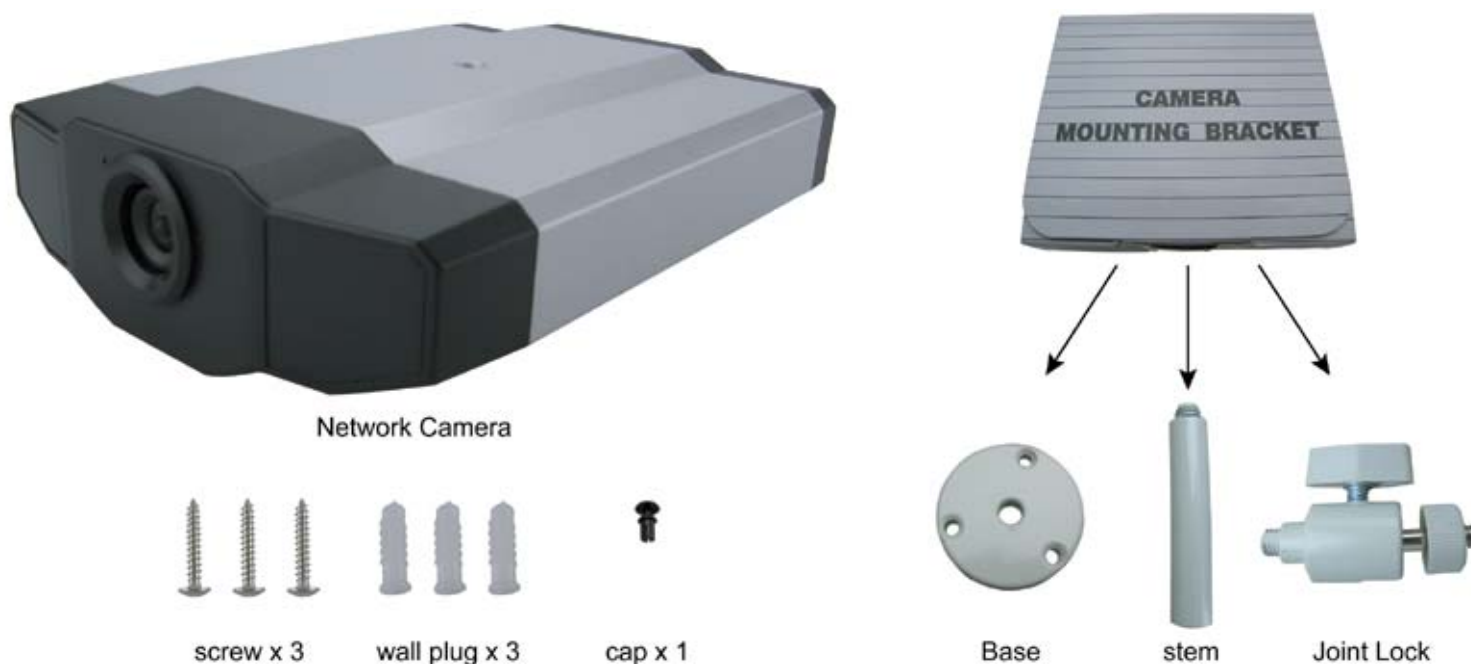
Tool needed: Power drill x 1 (not supplied within the sales package)

1. Prepare all the parts needed for camera installation.

Find the network camera, bracket package, a bag of screws & wall plugs, and a cap supplied with the sales package, as shown in Figure 1.

Unpack the bracket package to find the bracket disassembled into three parts: the base, stem and joint lock.

Figure 1: Parts needed for camera installation



2. Fix the base of the bracket.

Fix the base of the bracket with the supplied 3 screws to the place you want to install by using a power drill.

Figure 2: Screw the base to the ceiling



3. Assemble the bracket:
 - a). Align the stem with the central hole of the base, and rotate it to secure, as shown in Figure 3.
 - b). Align the joint lock with the stem, and rotate it to secure, as shown in Figure 4.

Figure 3: Connect the stem to the base



Figure 4: Connect the joint lock to the stem



4. Connect the camera to the bracket.

Ceiling-mounted:
With the upper side of the camera facing up, align the mounting screw hole on the upper side with the screw thread of the joint lock, and rotate the camera to secure, as shown in Figure 4.

Desktop:
With the upper side of the camera facing up, align the mounting screw hole on the underside with the screw thread of the joint lock, and rotate the camera to secure.

Figure 4: Connect the camera to the bracket

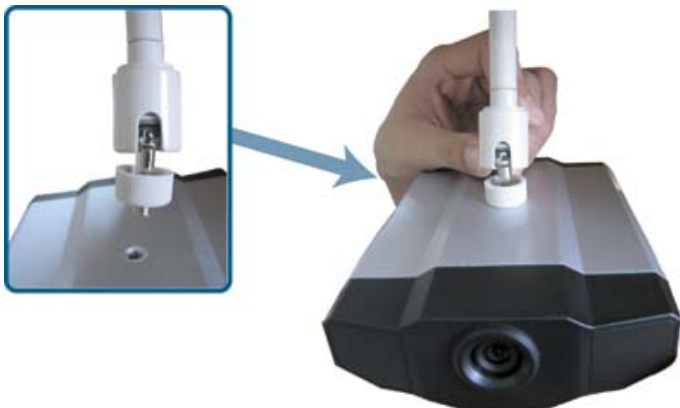


Figure 5: Insert the cap to the camera

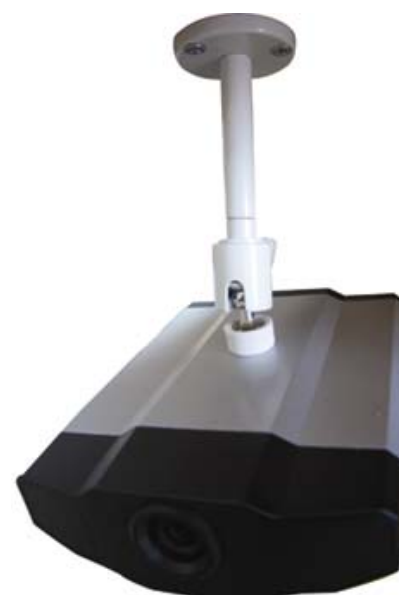


5. Insert the cap to the other mounting screw hole of the camera.

Ceiling-mounted:
Insert the cap to the mounting screw hole on the underside of the camera, as shown in Figure 5.

Desktop:
Insert the cap to the mounting screw hole on the upper side of the camera.
6. Adjust the viewing angle of the camera, and fasten the joint lock to fix the angle. The installation is completed, as shown in Figure 6.

Figure 6: Finish the installation





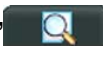


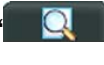

3.2 Assign an IP address and Access the Camera

Step 1. Install the Software

Place the supplied Video Viewer AP software CD into your DVD- / CD-ROM drive. The installation process will automatically start. Follow the on-screen instructions to install the application programs. After installation, a “Video Viewer” shortcut icon will be shown on your PC desktop.

Step 2. Connect the network camera to the Internet access via a RJ-45 network cable.


Step 3. Search the available IP address to login



- Double-click  icon on your PC desktop to enter the Video Viewer control panel. By default, the “Address Book” () panel will be displayed on the right side of the Video Viewer control panel.
- Click  (Search) →  (Refresh) to search the available IP address(es). The found address(es) will be listed, and can be added into the address book by clicking  (Add into address book). For details, please see  (Search) in the user manual.
- Select the IP address you just added into the address book, and click  (Edit) to edit the settings.
- Double-click the IP address in the address book to login.

Note: For detailed network settings under different network types (Static IP / PPPOE / DHCP), please refer to “Network” and “DDNS” in the user manual.

- If you cannot search any available IP address, please follow the instructions below.

Step 4. Add the IP address and other network settings to login

- Double-click  icon on your PC desktop to enter the Video Viewer control panel. By default, the “Address Book” panel will be displayed on the right side of the Video Viewer control panel.
- The default network camera settings are as follows:

Item	Default Setting
IP Address	192.168.1.10
User Name	admin
Password	admin
Port Number	80
- Click  (Address Book) →  (Add) button to key in the IP address, user name, password, and port number of the network camera you intend to connect.

Item	Default Setting
IP Address	192.168.1.10
User Name	admin
Password	admin
Port Number	80

- Double-click the IP address you just added into the address book to login.