



482.6 mm (19") & 254 mm (10") Wall Mounting Network Cabinets



Manual

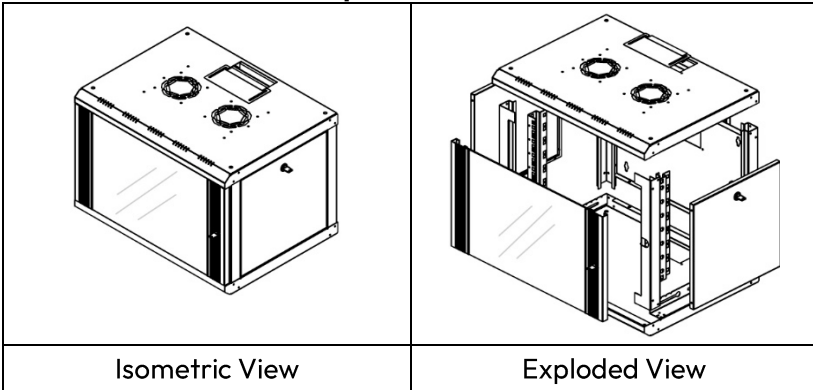
Table of Content

1. Technical Drawings.....	3
a) Wall Mounting Cabinets Unique Series.....	3
b) Wall Mounting Cabinets Dynamic Series.....	5
c) Wall Mounting Cabinets 483 mm (19") SOHO Pro Series.....	6
d) Wall Mounting Cabinets 254 mm (10") SOHO Pro Series.....	7
e) Wall Mounting Cabinets 483 mm (19") SOHO Series.....	8
f) Wall Mounting Cabinets 254 mm (10") SOHO Series.....	11
g) Wall Mounting Cabinets IP55 Series.....	13
2. Mounting Instructions.....	14
a) Wall Mounting Cabinets 483 mm (19") SOHO Pro Series.....	14
b) Wall Mounting Cabinets 254 mm (10") SOHO Pro Series.....	19
c) Wall Mounting Cabinets SOHO Series.....	24
3. Door Stop Change.....	26
a) Wall Mounting Cabinet Unique Series.....	26
b) Wall Mounting Cabinet Dynamic Series.....	27
c) Wall Mounting Cabinet SOHO series.....	28
d) Wall Mounting Cabinet IP55 Series.....	29
4. Wall Mounting.....	31
a) What should I put attention on?.....	31
b) Wall Mounting Cabinets Unique Series.....	31
c) Wall Mounting Cabinets Dynamic Series.....	32
d) Wall Mounting Cabinets SOHO Series.....	33
e) Wall Mounting Cabinets IP55 Series.....	33
5. FAQ.....	35
a) What type of cabinet is right for me?.....	35
b) What installation depths can be realized in my cabinet?.....	38
c) How to perform potential equalization?.....	39

1. Technical Drawings

a) Wall Mounting Cabinets Unique Series

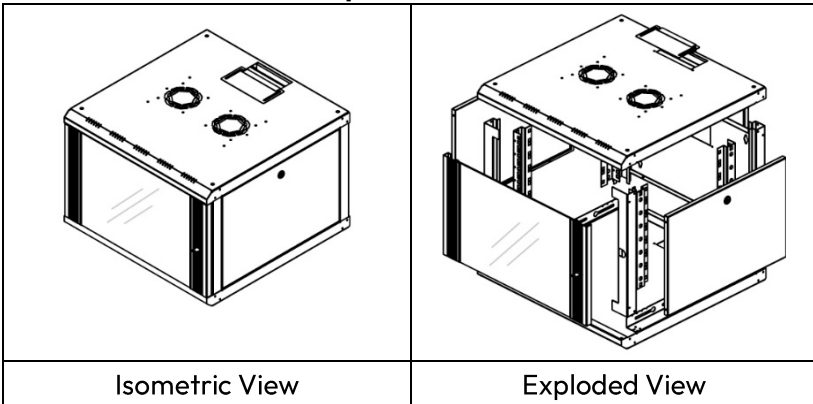
600 x 450 mm (Width x Depth)



Mounting Hole Distance

HU	440 (Width) mm x Height
7	440 x 260 mm
9	440 x 349 mm
12	440 x 482 mm
16	440 x 660 mm
20	440 x 838 mm

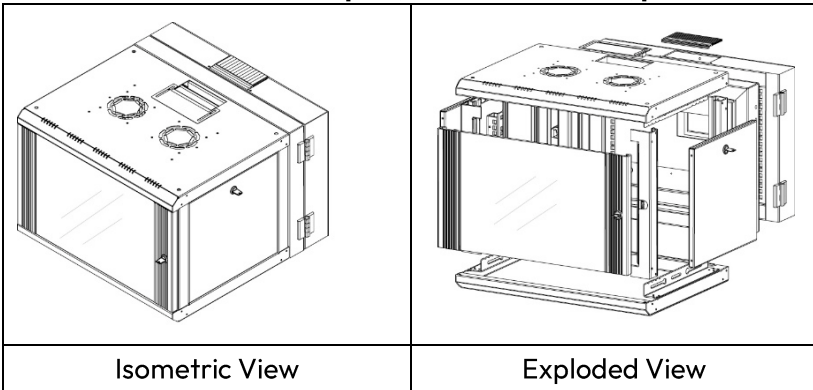
600 x 600 mm (Width x Depth)



Mounting Hole Distance

HU	440 (Width) mm x Height
7	440 x 260 mm
9	440 x 349 mm
12	440 x 482 mm
16	440 x 660 mm
20	440 x 838 mm

600 x 600 mm (Width x Depth), double sectioned, pivoted

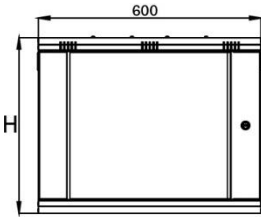


Mounting Hole Distance

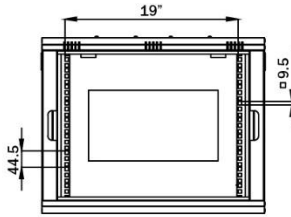
HU	440 (Width) mm x Height
7	440 x 260 mm
9	440 x 349 mm
12	440 x 482 mm
16	440 x 660 mm
20	440 x 838 mm

b) Wall Mounting Cabinets Dynamic Series

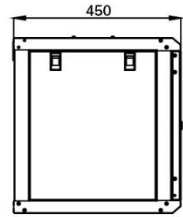
600 x 450/600 mm (Width x Depth)



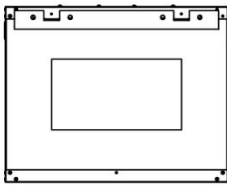
Front View



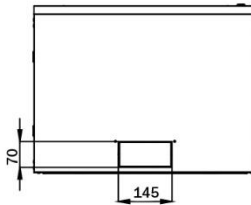
Front View
Without the Door



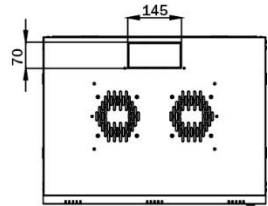
Side View



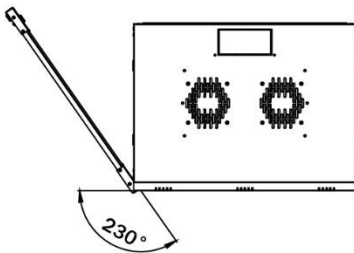
Rear View



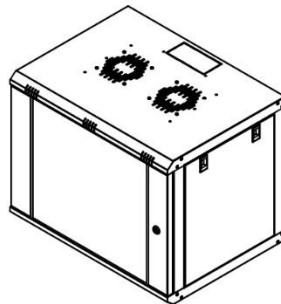
Bottom View



Top View



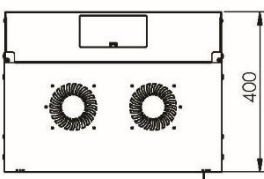
Opening Angle
Of Door



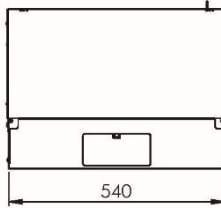
Isometric View

c) Wall Mounting Cabinets 483 mm (19") SOHO Pro Series

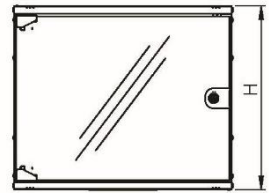
540 x 400 mm (Width x Depth)



Top view



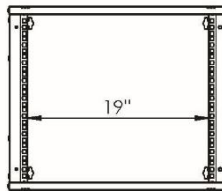
Bottom view



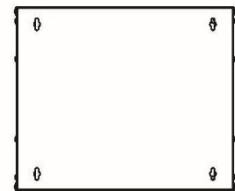
Front view



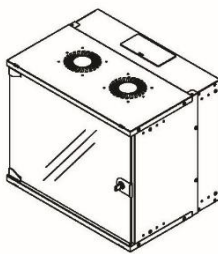
Side view



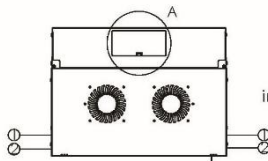
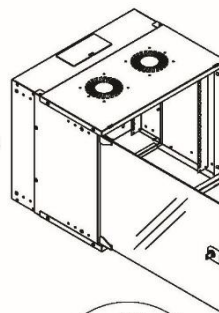
Front inside view



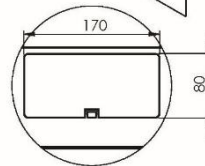
Rear view



Isometric views

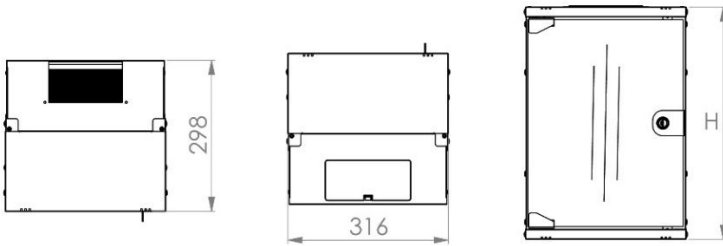


19" cabinet in the top view



DETAIL A

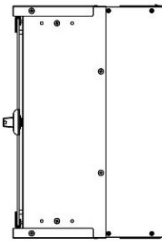
d) Wall Mounting Cabinets 254 mm (10") SOHO Pro Series



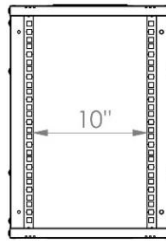
Top view

Bottom view

Front view



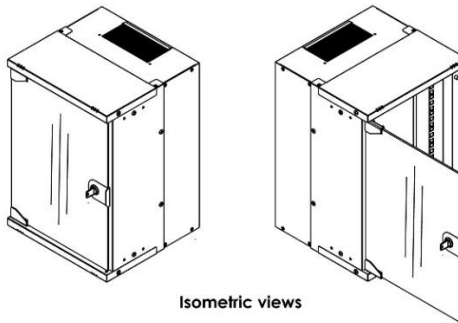
Side view



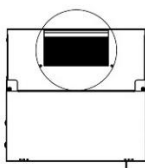
Front inside view



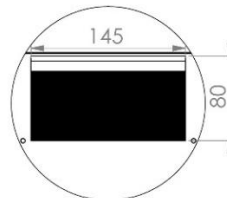
Rear view



Isometric views

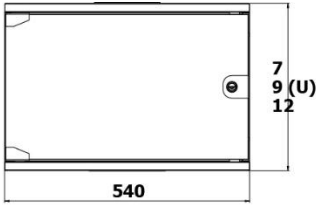


10" cabinet
in the top view

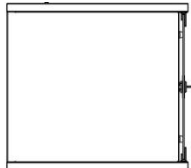


Detail A

e) Wall Mounting Cabinets 483 mm (19") SOHO Series

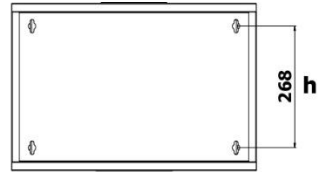


FRONT VIEW

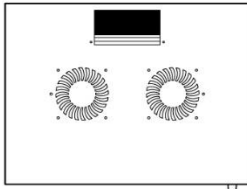


SIDE VIEW

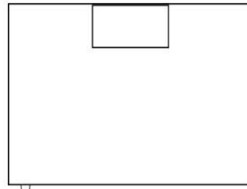
-300/400/500/600-



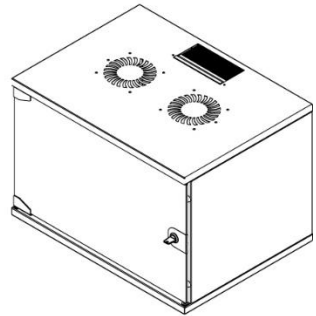
REAR VIEW



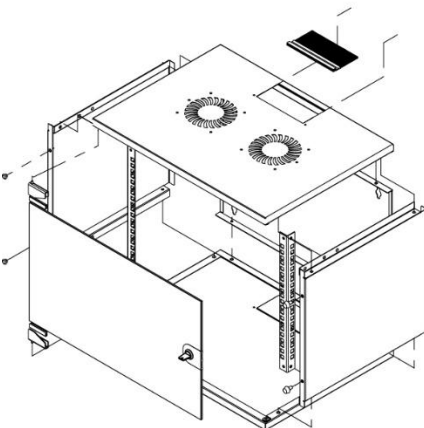
TOP VIEW



BOTTOM VIEW



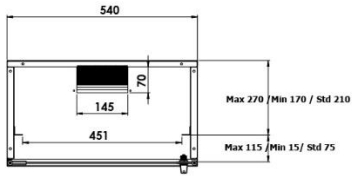
ISOMETRIC VIEW



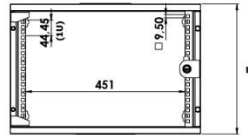
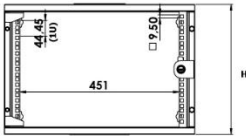
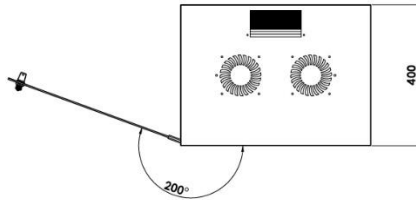
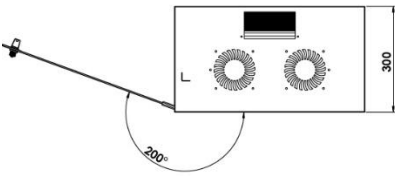
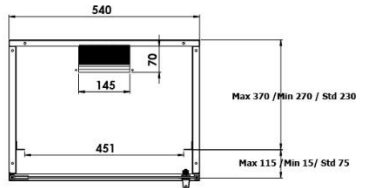
EXPLODED VIEW

	H	h
7U	369	268
9U	458	387
12U	547	476

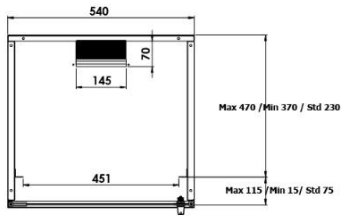
D=300



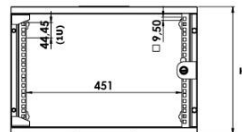
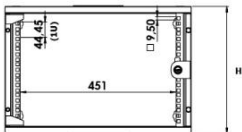
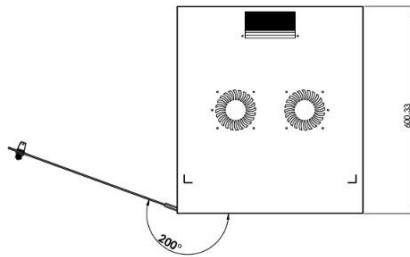
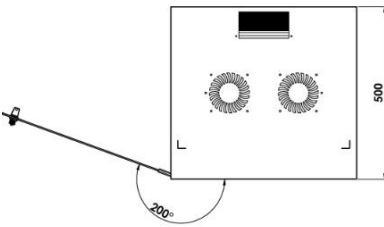
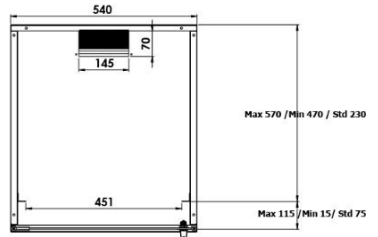
D=400



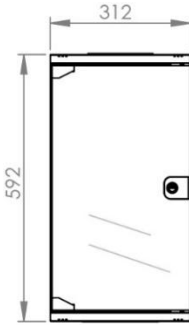
D=500



D=600



f) Wall Mounting Cabinets 254 mm (10") SOHO Series



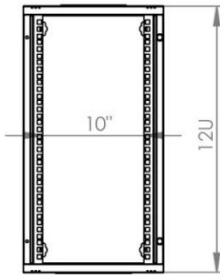
Front view



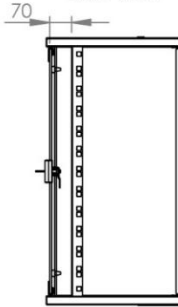
Side view



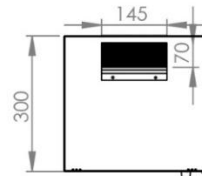
Rear view



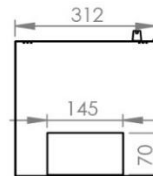
Front inside view



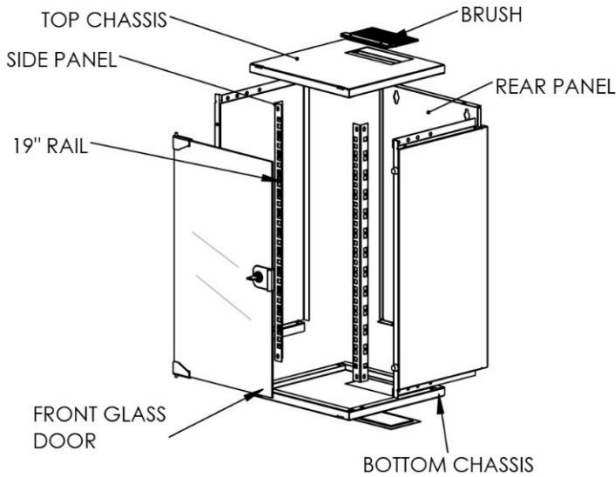
Side inside view



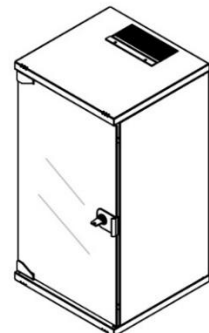
Top view



Bottom view

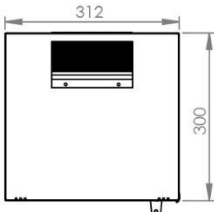


Exploded view

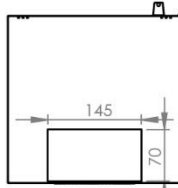


Isometric view

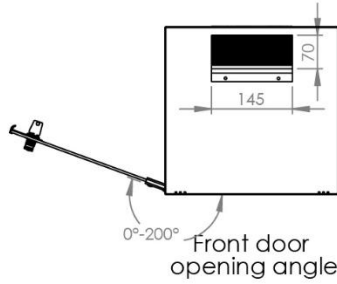
6U



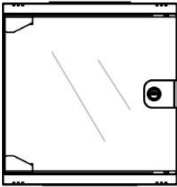
Top view



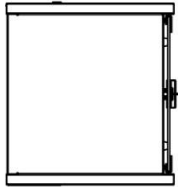
Bottom view



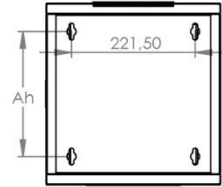
0°-200°
Front door opening angle



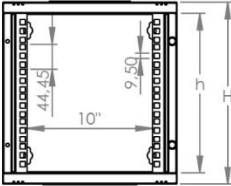
Front view



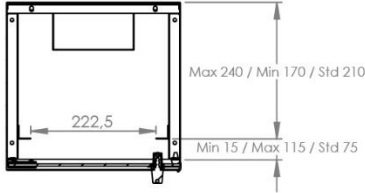
Side view



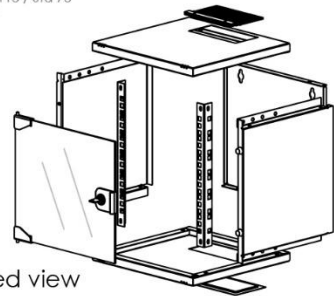
Rear view



Dimension in width and height



Max/Std/Min equipment mounting distance



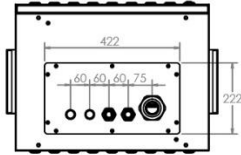
Exploded view

	Ah	H	h
6U	223	330	323
9U	357	464	457

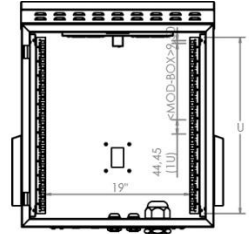
g) Wall Mounting Cabinets IP55 Series



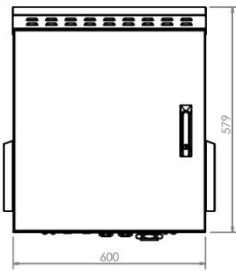
Top view



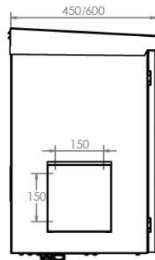
Bottom view



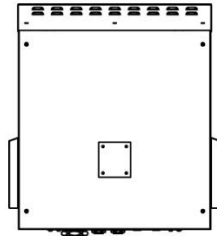
Inside view



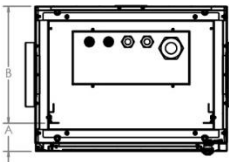
Front view



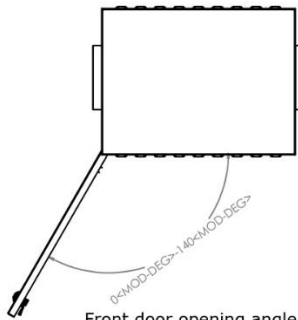
Side view



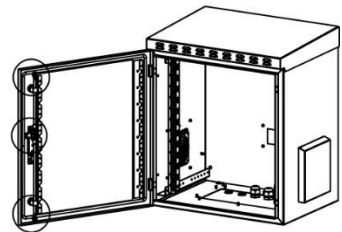
Rear view



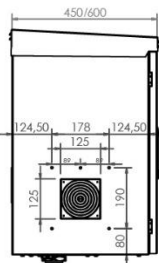
Top inside view



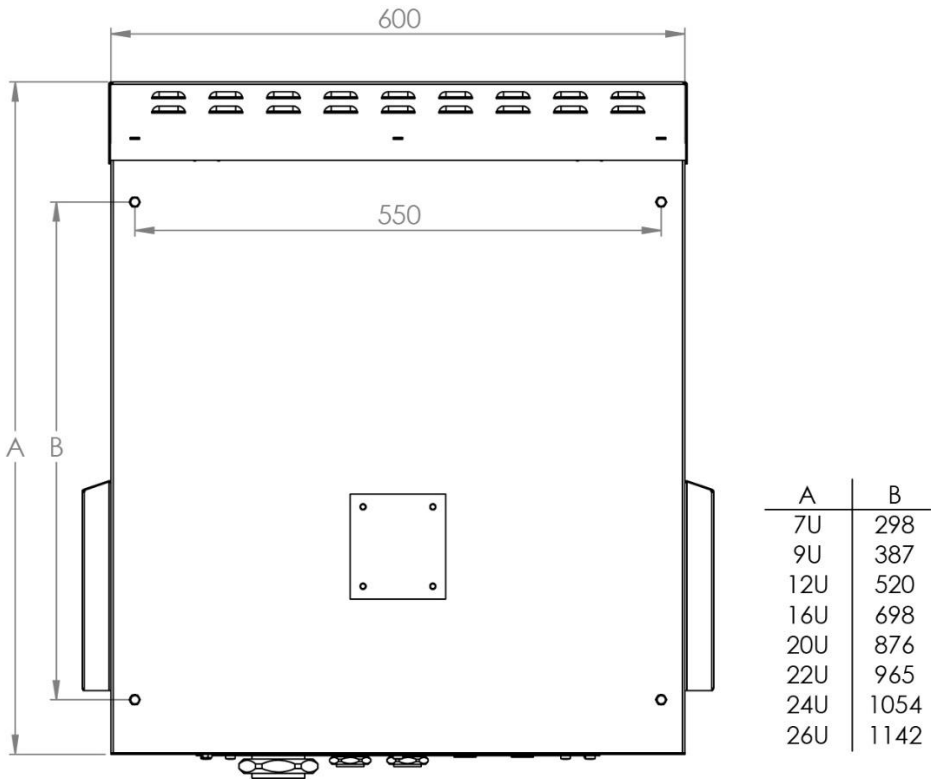
Front door opening angle



3 Point locking system



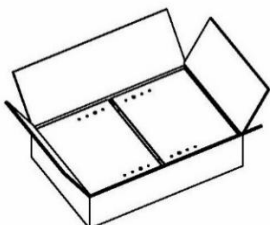
D=450	A		B	
	Min	Max	Min	Max
	60 mm	185mm	260 mm	385mm



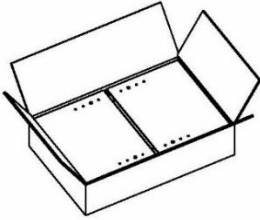
2. Mounting Instructions

a) Wall Mounting Cabinets 483 mm (19") SOHO Pro Series

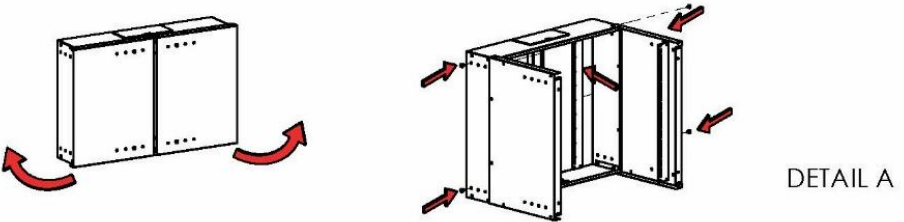
1. Open the box.



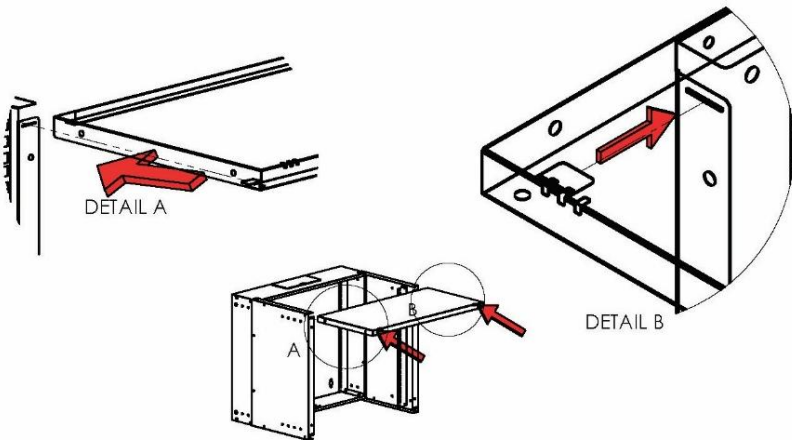
2. Take the 19" Soho cabinet out of the box.



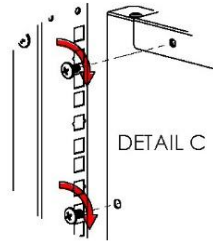
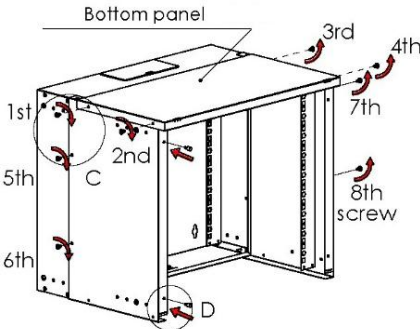
3. Open the hinged side panels of the cabinet and mount the two rear 19" rack rails inside the cabinet, aligning them with the 2 front 19" rack rails using 4 screws.





4. Slide the bottom panel onto the body in the direction of the arrows. As shown the details, insert the recesses of the bottom panel into the gap of the body.

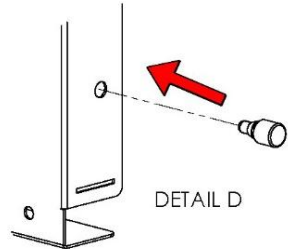


5. Fix the bottom panel to the body using screws. (Firstly, horizontally placed screws need to be mounted for all cabinet sizes described above. Then, 5th, 6th, 7th and 8th screws need to be mounted vertically for 9U/12U sized cabinets.) Finally, attach the plastic door stopper to the locking side of the glass door.

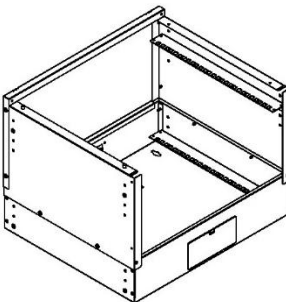


The quantities in the table below will be applied on the 5th step.

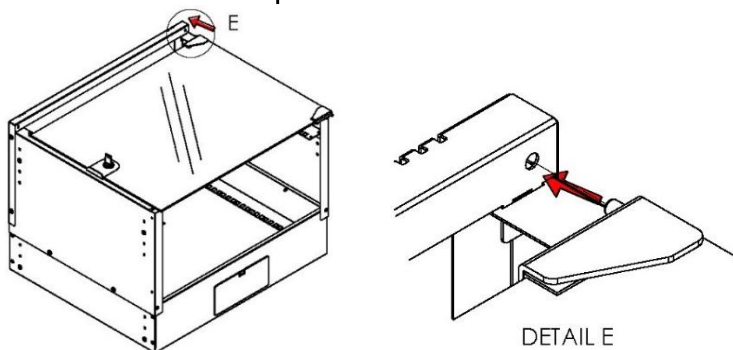
	Screw	Plastic door stopper
		
4U/7U	4 pcs.	2 pcs.
9U/12U	8 pcs.	2 pcs.



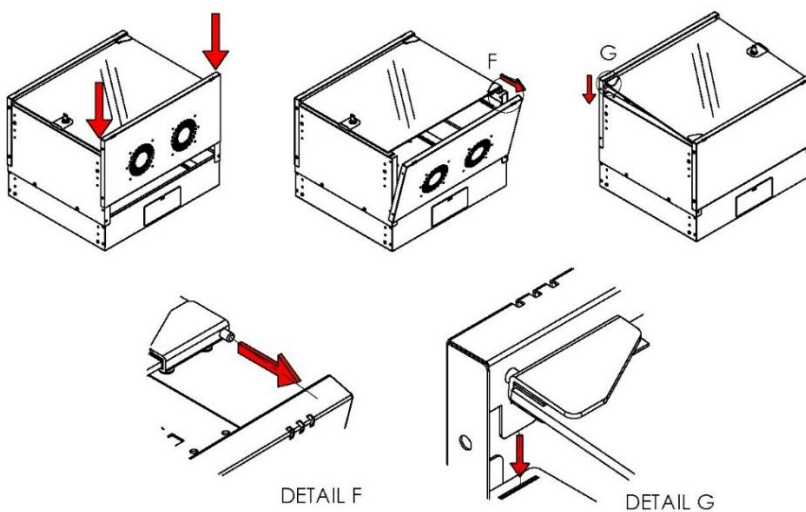
6. Lay the body down with the bottom panel on the backside.



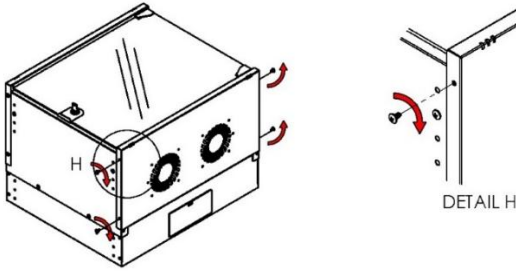
7. Insert the bottom hinge pin of the glass door into the hinge hole of the bottom panel.



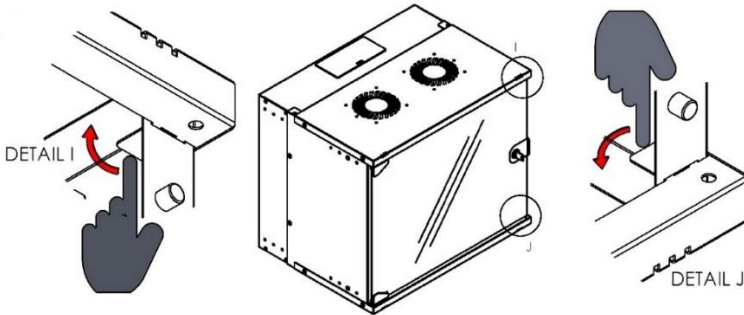
8. Slide the top panel onto the body in the direction of the arrows. (Pay attention to ensure that recesses of the top panel are not inserted into the upper holes of the body). Insert the top hinge pin of the glass door into the hinge hole of the top panel. Insert the recesses of the top panel to the panel gap of the body.



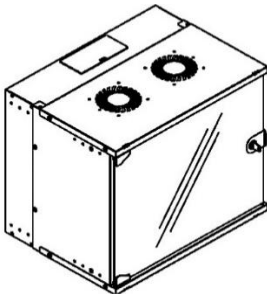
9. Assemble the top panel to the body using 4 screws.



10. Place the cabinet on the floor, ensuring that the bottom panel touches the ground. Bend the recesses of the bottom panel downwards and the recesses of the top panel upwards.

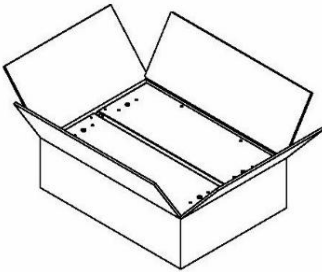


11. Show the QR code your camera to watch the installation video. Your Soho cabinet is ready to use.

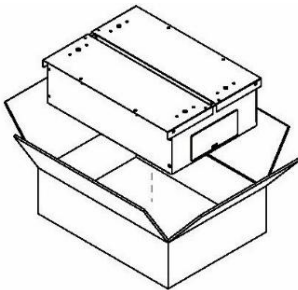


b) Wall Mounting Cabinets 254 mm (10") SOHO Pro Series

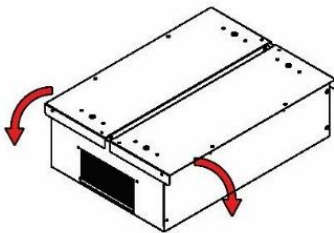
1. Open the box.



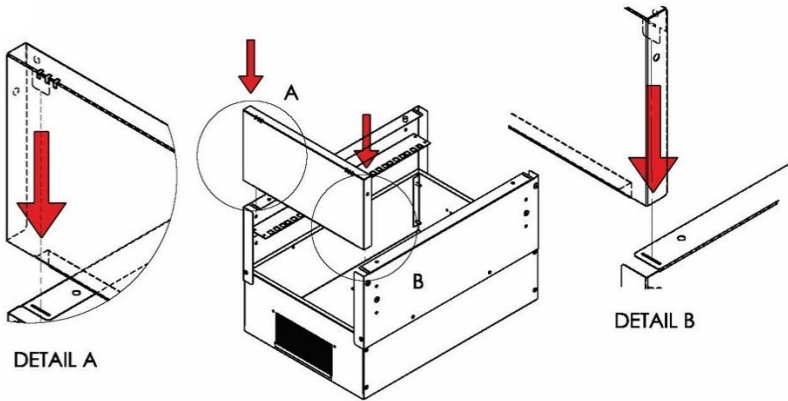
2. Take the 10" Soho cabinet out of the box.



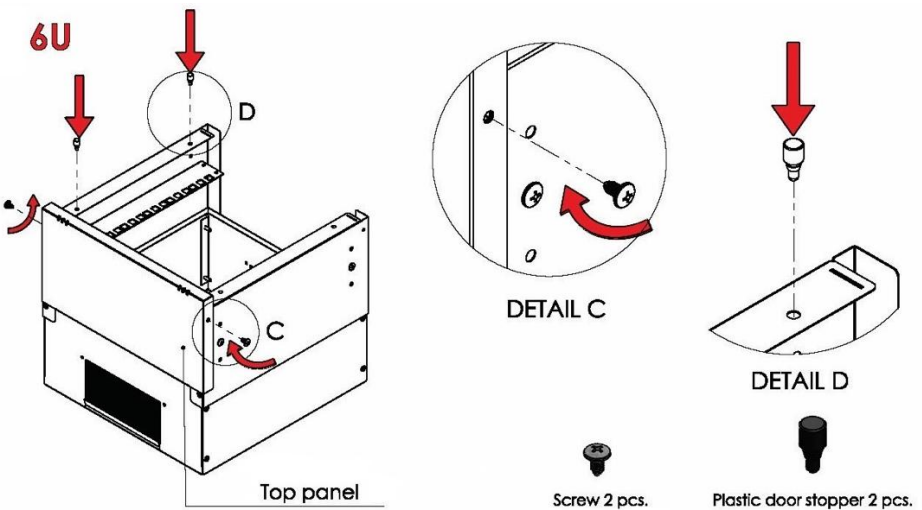
3. Lay down the rear panel of the body so that the brush will be seen at the frontside. Open the hinged side panels of the body.



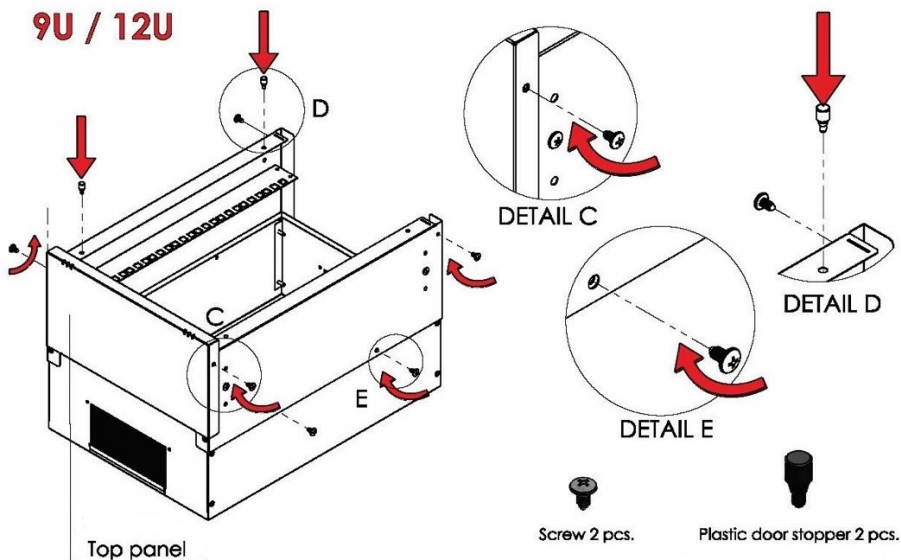
4. Slide the top plate onto the body in the direction of the arrows. As seen the details, insert the recesses of top plate into the gap of the body.



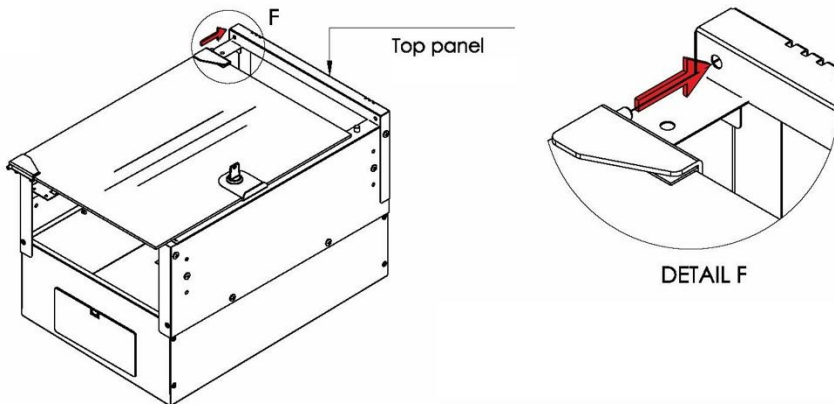
5. Fix the top panel to the body by the screws. Plastic door stopper then needs to be mounted to be on the lock side of the glass door.



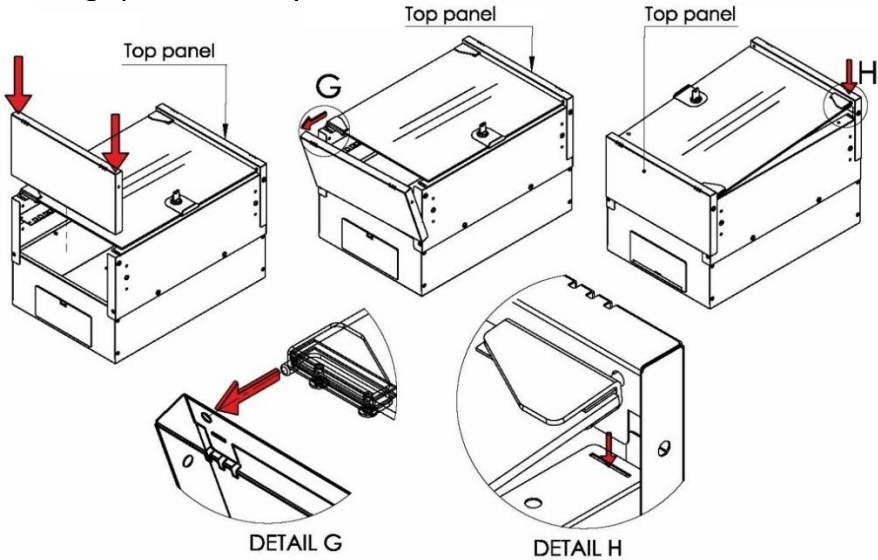
9U / 12U



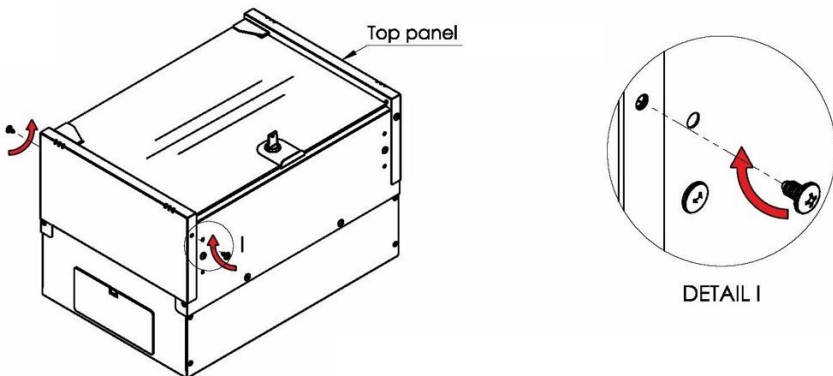
6. Insert the top hinge pin of the glass door from the hinge hole of the top panel.



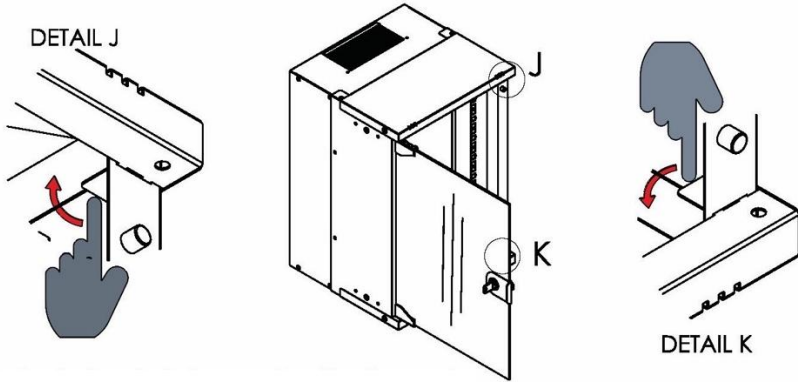
7. Slide the bottom panel onto the body in the direction of the arrows. (Pay attention that the recesses of the bottom panel not to be inserted to the lower holes of the body). Insert bottom hinge pin of the glass door to the hinge hole of the bottom panel. Insert recesses of the bottom panel gap of the body.



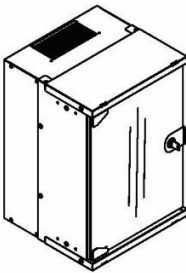
8. Assemble the bottom panel to the body by 2 screws.



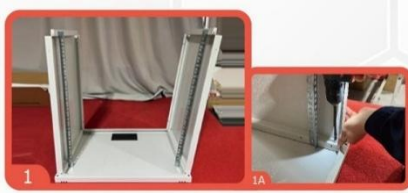
9. Put the cabinet on the floor, the bottom panel touching the ground. Bend the recesses of the bottom panel downwards and the recesses of the top panel upwards.



10. Show the QR code your camera to watch the installation video. Your Soho cabinet is ready to use.



c) Wall Mounting Cabinets SOHO Series



Mount the side panels on the lower frame with two pieces of M5x12 screws each.



Mount the rear panel to the lower frame with two pieces of M5x12 screws each.



Mount the upper frame to the rear and side panels with two pieces of M5x10 screws each.



Place the cable brush entry to the upper frame.



Mount the side between the top and bottom with M4x8 screws each.



Place the hinges on the side of your favored door opening by screwing them to the glass and the rubber plugs on the other side (put them in the holes of the side panel).



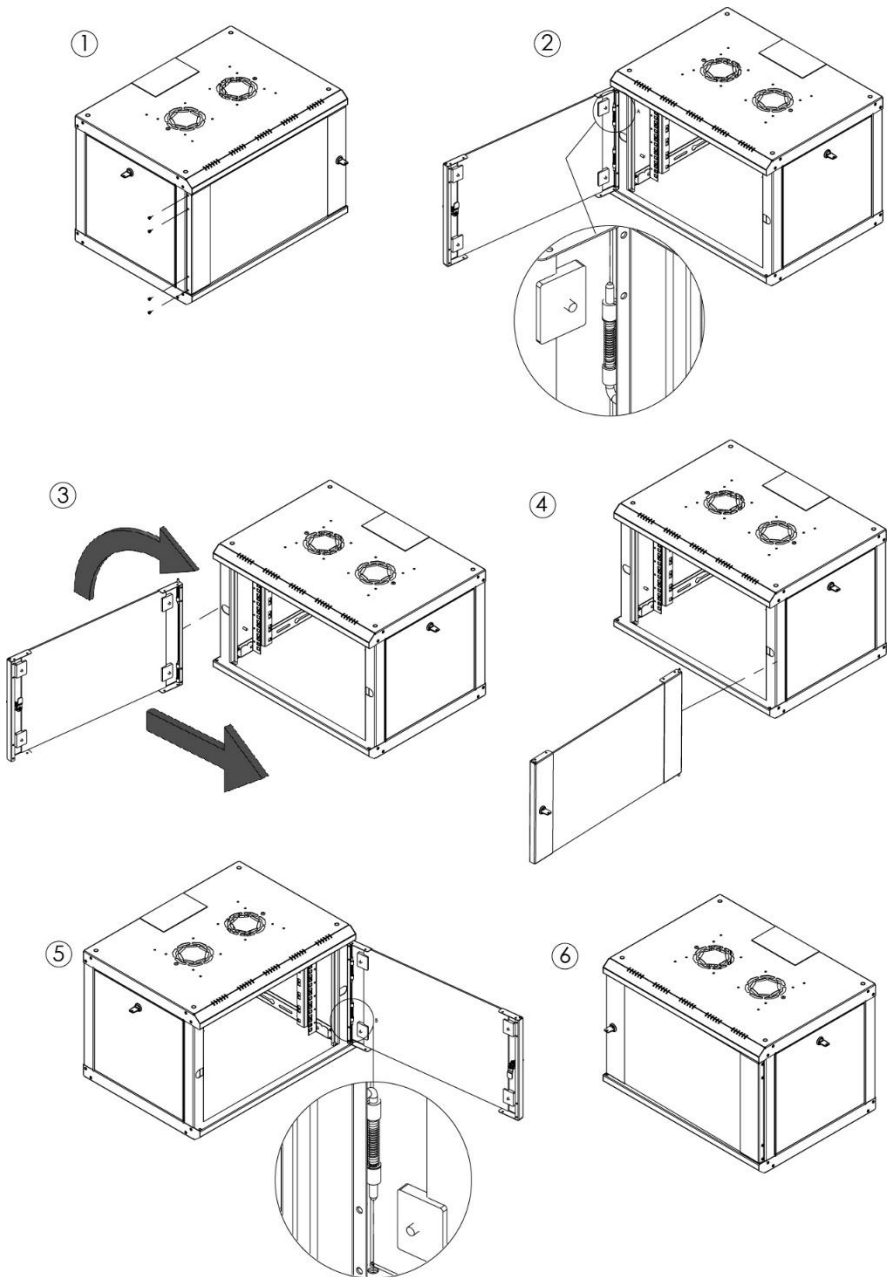
Mount the back mounting profile with two-piece M5x10 screws each.



Loosen the upper hinge in order to put the pins of both hinges of the glass door into the cabinet frame, then tighten again.

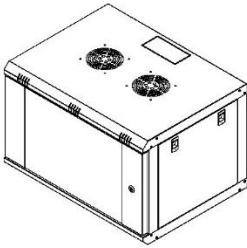
3. Door Stop Change

a) Wall Mounting Cabinet Unique Series

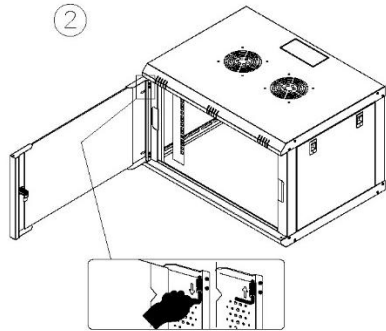


b) Wall Mounting Cabinet Dynamic Series

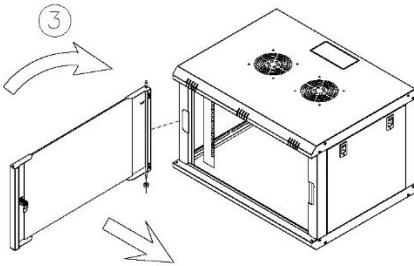
①



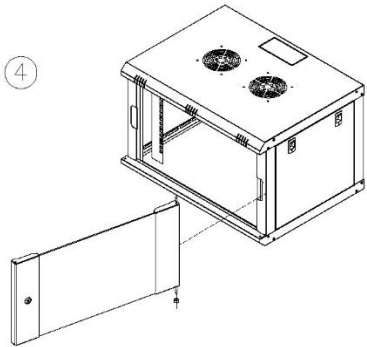
②



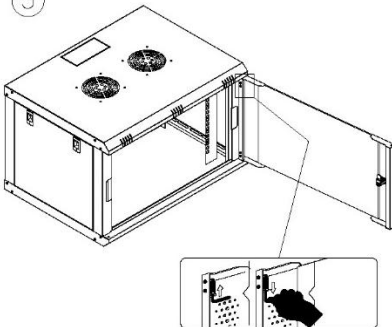
③



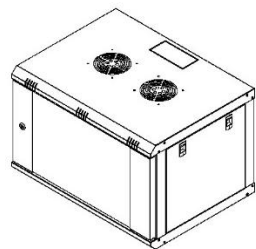
④



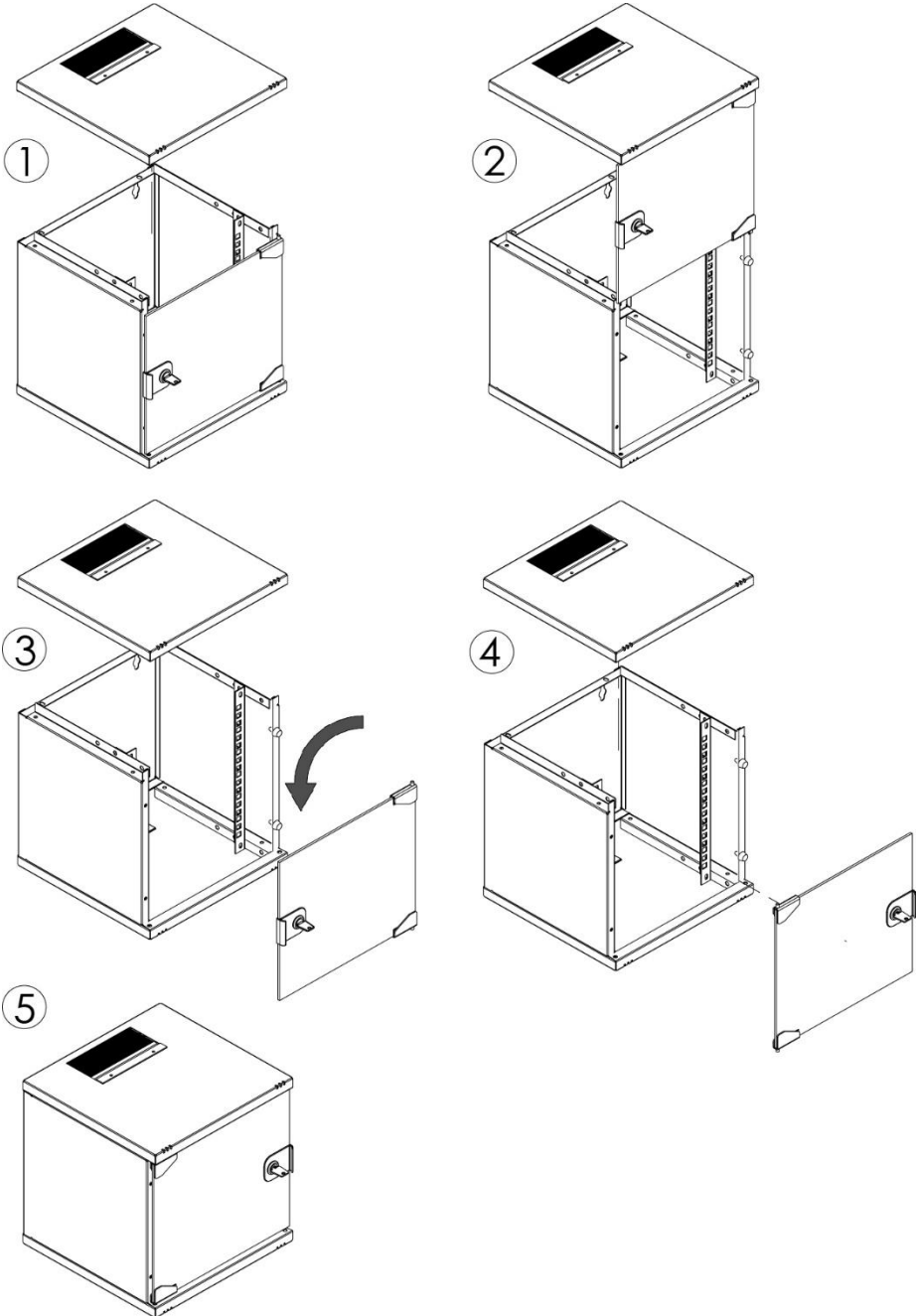
⑤



⑥

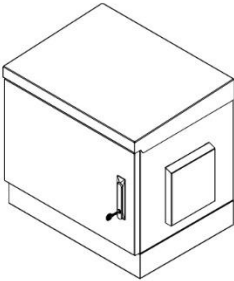


c) Wall Mounting Cabinet SOHO series

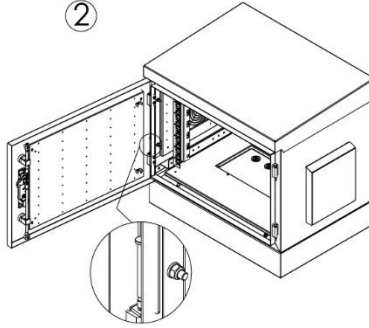


d) Wall Mounting Cabinet IP55 Series

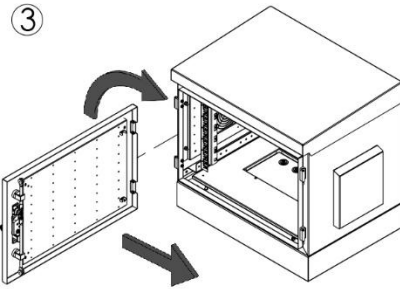
①



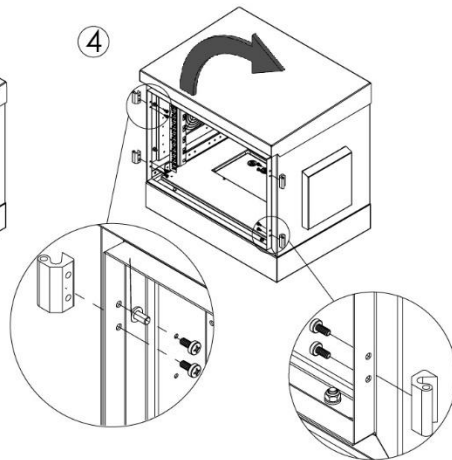
②



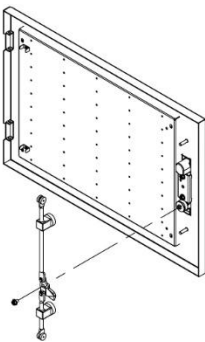
③



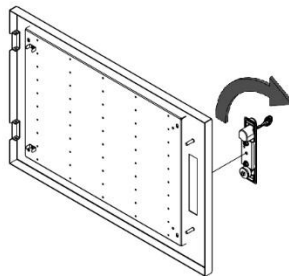
④



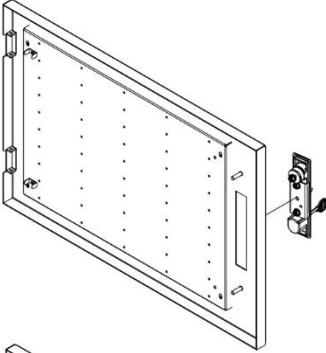
⑤



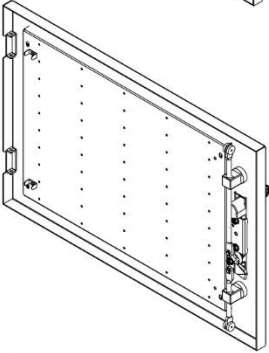
⑥



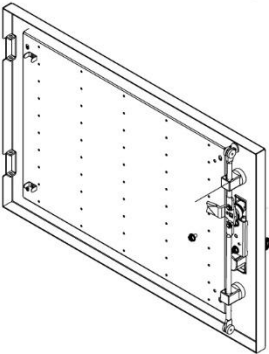
7



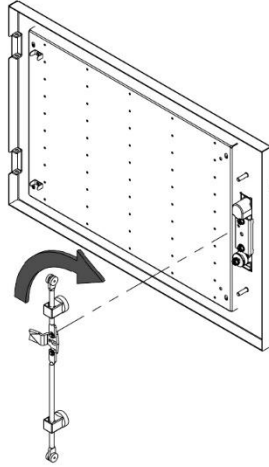
9



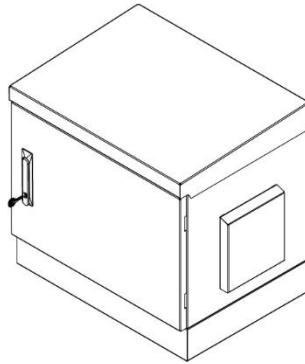
10



8



11



4. Wall Mounting

a) What should I put attention on?

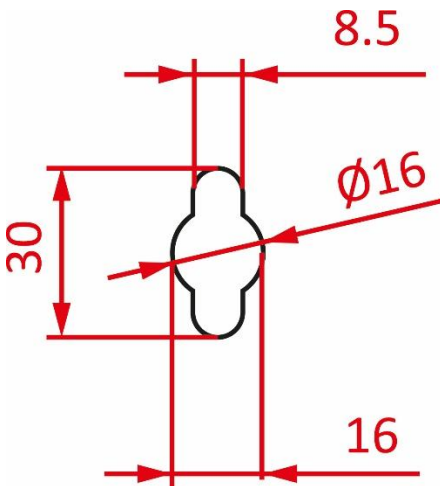
The installation, and coherently the choice of the correct fixing material (screws, dowels, etc.), depends on your wall type and structure.

Please pay attention to mount the cabinet in scale to maintain stability and load. Furthermore, the glass door should not stay open for a long time period when installing or taking the cabinet in operation. Always detach the door, if possible, in order to avoid potential damages.

All wall mounting cabinets from DIGITUS® are manufactured with holes for wall mounting. Following you will find a short overview for wall mounting of each series.

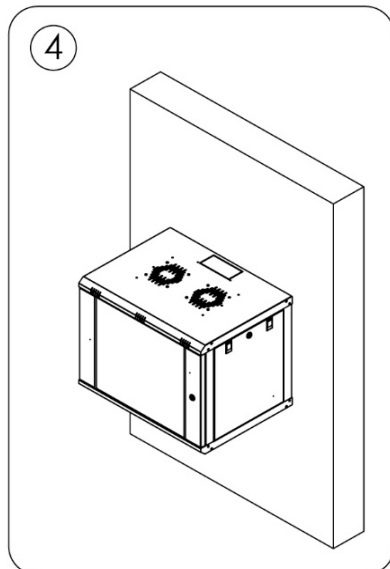
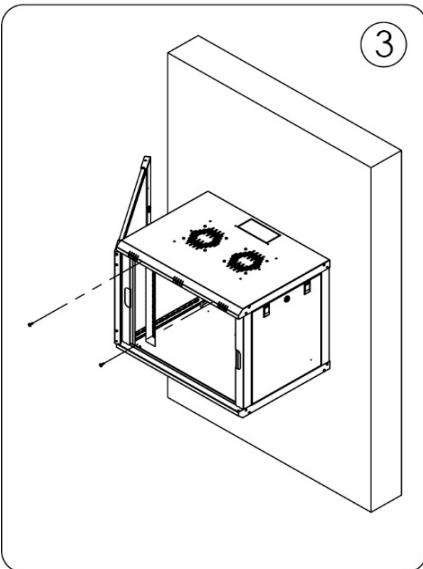
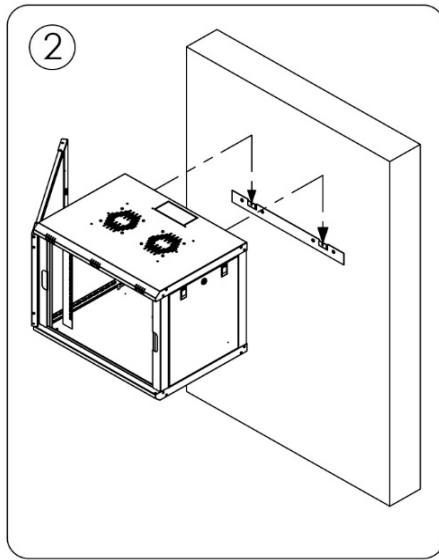
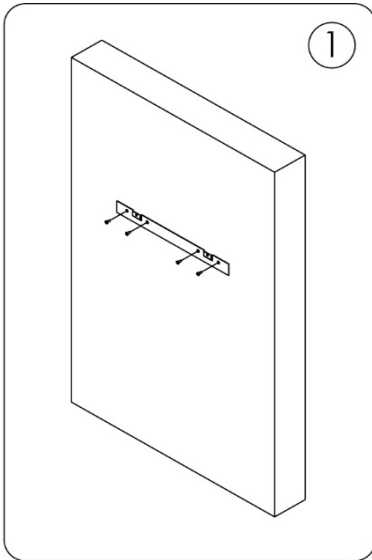
b) Wall Mounting Cabinets Unique Series

The installation takes place in a few steps. The rear wall can be detached and used as a template. Afterwards you can mount the housing again and fix it on the rear wall.



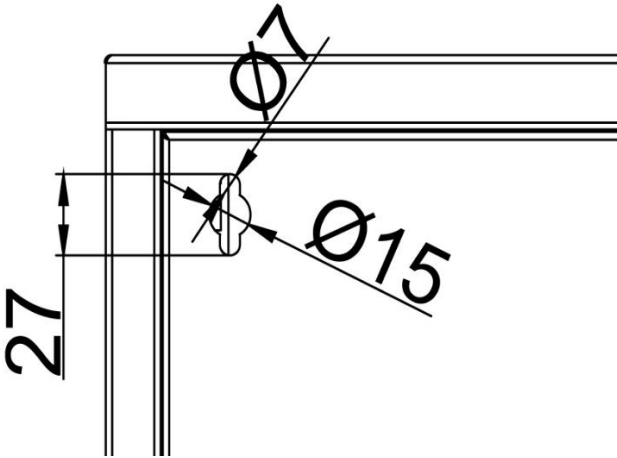
c) Wall Mounting Cabinets Dynamic Series

Connect the bracket with four screws on the wall. Afterwards you can mount the housing again and fix it with two more screws.



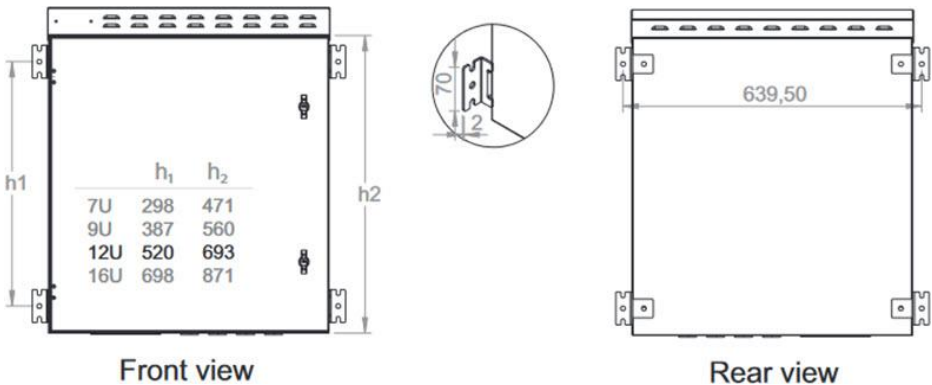
d) Wall Mounting Cabinets SOHO Series

Installation of rear side to the wall via mounting holes.

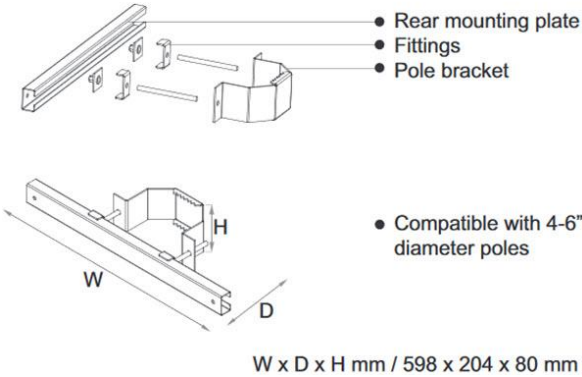


e) Wall Mounting Cabinets IP55 Series

The wall mounting cabinets of the IP55 series will be fixed on the wall with the attached brackets. Alternatively, you can mount them on a pole or use them as a free-standing cabinet with a plinth.



● Pole mounting kit



DIGITUS® offers the following accessories:

- **DN-19 PLINTH-45-I-OD (4016032444169)**
Plinth for 450 mm depth IP55 Wall Mounting Cabinet
- **DN-19 PLINTH-6-I-OD (4016032370512)**
Plinth for 600 mm depth IP55 Wall Mounting Cabinet
- **DN-19-POLE-KIT-WM-I (4016032448419)**
4"-6" Pole mounting set for IP55 Wall Mounting Cabinet

5. FAQ

a) What type of cabinet is right for me?

Depending on the installation components, the following factors should be taken into account:

I. Product dimensions

How deep are the devices to be installed?

Please note that for 482.6 mm (19") cabinets, always the external dimensions are specified. The respective max. installation depth (inside) may vary.

For more information see point **b**.

II. Load capacity

How heavy are the devices to be installed?

Some cabinets usually have a higher stability in their design compared to others. With a load capacity of the 482.6 mm (19") profile rails of up to 1000 kg, the DIGITUS® server cabinets of the Unique Series are especially suitable for components such as servers or similar.

With the Unique network cabinets (800 kg load capacity) or Dynamic Basic cabinets (600 kg load capacity), DIGITUS® offers cabinets for every application area.

III. Heat development

How much heat is generated by the devices to be installed?

Depending on the application, you should pay particular attention to the heat load. A cabinet with perforated steel doors, for example, ensures that the warm air can escape better into the environment (passive ventilation). Closed doors, on the other hand, may offer more protection, but also allow less air to escape.

DIGITUS® also offers fan units for this purpose, which can simply be mounted in the cabinet roof (optionally also available for 19" installation) and thus ensure better heat loss.

IV. IP-Protection Class

Where are the cabinets placed?

The IP protection class defines the protection against contact, dust, water.

Usually 482.6 mm (19") cabinets with protection class IP20 are sufficient. All standard cabinets of the DIGITUS® Unique and Dynamic Basic series are classified according to IP20.

For harsh, industrial environments DIGITUS® also offers IP55 products in the product portfolio.

1. Key number		Significance:	
ISO 20653	DIN EN 60529	Protection against foreign bodies	Protection against touch
0		No protection	No protection
1		Protected against solid foreign bodies with diameter ≥ 50 mm	Protected against access with the back of the hand
2		Protected against solid foreign bodies with diameter ≥ 12.5 mm	Protected against access with a finger
3		Protected against solid foreign bodies with diameter ≥ 2.5 mm	Protected against access with a tool
4		Protected against solid foreign bodies with diameter $\geq 1,0$ mm	Protected against access with a wire
5K	5	Protected against dust in harmful quantity	Complete protection against contact
6K	6	Dust proof	Complete protection against contact

2. Key number		Significance: Protection against water
ISO 20653	DIN EN 60529	
	0	No protection
	1	Protection against dripping water
	2	Protection against falling dripping water when the housing is tilted up to 15°
	3	Protection against falling spray water up to 60° from the vertical
	4	Protection against splashing water from all sides
4K		Protection against splashing water from all sides with increased pressure
	5	Protection against water jets (nozzle) from any angle
	6	Protection against strong jets of water
6K		Protection against strong jets of water under increased pressure, specific for road vehicles
	7	Protection against temporary immersion
	8	Protection against permanent submersion. Unless otherwise specified, protection is provided up to a water depth of 1 meter. Other water depths must be specified or agreed separately.
	9	Protection against water during high-pressure/ steam cleaning, especially agriculture
9K		Protection against water during high-pressure/ steam cleaning, specific for road vehicles

b) What installation depths can be realized in my cabinet?

The minimum and maximum installation depths can be found in the technical drawings. We have summarized them again for you in the following tables:

Wall Mounting Cabinets Unique Series

Cabinet depth	Installation depth	
	Standard	Maximum
450 mm	254 mm	355 mm
600 mm	404 mm	435 mm

Wall Mounting Cabinets Dynamic Series

Cabinet depth	Installation depth	
	Standard	Maximum
450 mm	219 mm	320 mm
600 mm	369 mm	470 mm

Wall Mounting Cabinets 483 mm (19") SOHO Pro Series

Cabinet depth	Installation depth	
	Minimum	Maximum
400 mm	169,25 mm	319,25 mm

Wall Mounting Cabinets 254 mm (10") SOHO Pro Series

Cabinet depth	Installation depth	
	Minimum	Maximum
400 mm	194 mm	254 mm

Wall Mounting Cabinets 483 mm (19") SOHO Series

Cabinet depth	Installation depth	
	Minimum	Maximum
400 mm	240 mm	335 mm

Wall Mounting Cabinets 254 mm (10") SOHO Series

Cabinet depth	Installation depth	
	Minimum	Maximum
300 mm	250 mm	250 mm

Wall Mounting Cabinets IP55 Series

Cabinet depth	Installation depth	
	Standard	Maximum
450 mm	142 mm	342 mm
600 mm	142 mm	500 mm

c) How to perform potential equalization?

Several grounding points (unpainted copper bolts) are available in your DIGITUS® network or server cabinet for potential equalization (colloquially also called "grounding"). These are located at the doors as well as at the base chassis. Each cabinet comes with a set of 4 grounding cables including a mounting kit for immediate use. Furthermore, the DIGITUS® portfolio offers you different sets of potential equalization rail incl. cables. This copper busbar can be mounted in the cabinet to bundle the grounding cables of different components and to lead them to your central grounding connection.

- DN-19 EARTH (EAN: 4016032142027)
Potential equalization rail, 220 mm, 6 connection points, 4 cables
- DN-19-EARTH-L (EAN: 4016032451532)
2 x potential equalization rail, 820 mm, 24 connection points each, 4 cables

Hereby Assmann Electronic GmbH, declares that the Declaration of Conformity is part of the shipping content. If the Declaration of Conformity is missing, you can request it by post under the below mentioned manufacturer address.

info@assmann.com
Assmann Electronic GmbH
Auf dem Schüffel 3
58513 Lüdenscheid
German

