



VIDEO / AUDIO MATRIX SWITCH



(DC-48101)
4 In 4 Out

USER MANUAL

Package Contents-

- DC-48101 video/audio matrix
- 1 user manual
- 1 power adapter DC 12V 1.25A
- 2 rack rails, 8 screws

Any thing missed, please contact with your vendor.

Introduction

Through the video/audio matrix DC-48101, you can display / play different images / audio signals to 4 screens / speakers (or earphones) through 4 PC. And you can also control the source of image / audio by selecting PC signal source 1 ~ 4 or turning off source input.

Video/Audio matrix is ideal for:

- Test bench facilities
- Data center
- Help desks
- Video broadcasting:
 - Presentation
 - Stock quotes
 - Timetables
 - Educational facilities

Features

- Intelligent functionality.
- With 350 MHz pixel frequency.
- Support VGA, SVGA, UXGA, QXGA resolutions.
- Support Multi-Sync video type include RGBHV, RGsB, RGbS.
- Support synchronous Include positive, negative; TTL or 1Vpp level.
- Supports the DDC, DDC2, DDC2B.
- Four sets of 7-Segment LED can indicate the input setting status of input port quickly.
- The output is compatible with standard VGA card.
- Extends the video signal up to 65 meter (213 feet).
- Audio Frequency Response 20Hz~20KHz.
- The switches on panel can select PC signal source 1 ~ 4 as OUT 1 ~ 4 or turning off any signal I/O port / all I/O ports.
- Can be cascaded.

Specifications

| Function | DC-48101 |
|------------------------------------|---------------------|
| Video Input Connector | 4x HD-15 Female |
| Video Output Connector | 4x HD-15 Female |
| Audio Input Connector | 4x 3.5φ Stereo Jack |
| Audio Output Connector | 4x 3.5φ Stereo Jack |
| Select Switch | 10 |
| 7-Segment LED | 4 |
| Max. Resolution | 1920x1440 @ 85 Hz |
| Pixel Frequency | 350 MHz |
| Cable Distance (Device to Monitor) | 65m (213 feet) Max. |
| Power Adapter (Min.) | DC 12V 1.25A |
| Housing | Metal |
| Weight | 1065 g |
| Dimensions (LxWxH) | 269x108x42 mm |

Technical Specifications

Input/Output Signal

| Pin # | Signal |
|-------|---------------|
| 1 | Red video |
| 2 | Green video |
| 3 | Blue video |
| 4 | NC |
| 5 | Ground |
| 6 | Analog ground |
| 7 | Analog ground |
| 8 | Analog ground |

| Pin # | Signal |
|-------|-----------------|
| 9 | NC |
| 10 | Ground |
| 11 | NC |
| 12 | ID1 |
| 13 | Horizontal sync |
| 14 | Vertical sync |
| 15 | ID3 |

FRONT VIEW



- Select Switch
- 7-Segment LED

REAR VIEW



- Input Power Jack
- "Audio Out" Port
- "Audio In" Port
- "Video Out" Port
- "Video In" Port

Installation

- Turn off the power switches of PC, screens, and speakers.
- Use HD-15 image / 3.5φ earphone extension cable to connect VGA interface / audio card in PC and the "Video In" & "Audio In" jack of video/audio matrix.
- Use HD-15 image / 3.5φ earphone extension cable to connect screen, speaker, or earphone and the "Video Out" & "Audio Out" jack of video/audio matrix.
- Connect video/audio matrix to power supply.
- Turn on the power switches of PC, screens, and speakers.
- Control switches, which includes "Out1", "Out2", "Out3", "Out4", "All", "In1", "In2", "In3", "In4", and "OFF", on panel can get image / audio signals or turn off input signal through output jack.

Operation

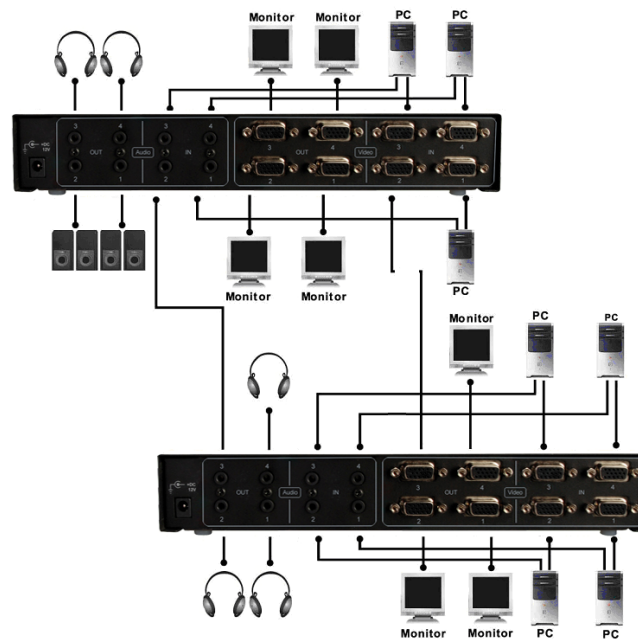
1. When you press button "Out1" or "Out2" or "Out3" or "Out4", the corresponding Out 7-Segment LED will start flashing for 3 seconds. There are total three switching methods:
 - a. Press button "In1" or "In2" or "In3" or "In4" within 3 seconds to make 7-Segment LED stop flashing and change its display to the number of Input port you set. Then the Output port will switch to the corresponding Input port.
 - b. Press button "OFF" within 3 seconds to make 7-Segment LED stop flashing and display "0". Then this Output port will be turned off.
 - c. If you don't press any button within 3 seconds, the 7-Segment LED will stop flashing and keep displaying original number and setting of Output port.
 - d. If you press button "Out1" or "Out2" or "Out3" or "Out4" within 3 seconds, then Out 7-Segment LED will start flashing for 3 seconds again to wait for button "In1" or "In2" or "In3" or "In4", "OFF" pressed.
2. When you press button "All", all 7-Segment LED will start flashing for 3 seconds. There are total three switching methods:
 - a. Press button "In1" or "In2" or "In3" or "In4" within 3 seconds to make all 7-Segment LED stop flashing and change their displays to the number of Input ports you set. Then all Output ports will switch to the corresponding Input ports.
 - b. Press button "OFF" within 3 seconds to make all 7-Segment LED stop flashing and display "0". Then all Output ports will be turned off.
 - c. If you don't press any button within 3 seconds, all 7-Segment LED will stop flashing and keep displaying original number and setting of Output port.
 - d. If you press button "All" within 3 seconds, then all Out 7-Segment LED will start flashing for 3 seconds again to wait for button "In1" or "In2" or "In3" or "In4", "OFF" pressed.

Note:

- When video/audio matrix is connected to power supply, the initial setting of jack connection is: "Out1" to "In1", "Out2" to "In2", "Out3" to "In3", "Out4" to "In4".
- If you install DDC monitor for video/audio matrix, then the setting of DDC will be applied to the other monitors.
- To get the functionality of DDC monitor, please connect the following jacks: "Video In1" to "Video Out1", "Video In2" to "Video Out2", "Video In3" to "Video Out3", and "Video In4" to "Video Out4".
- Available monitors include the VGA, SVGA, UXGA, QXGA, Multisync, and exclude the CGA, EGA, Mono.

Operation for cascade:

1. The function to display image on more monitors, you request to attach another video/audio matrix or the standard video/audio splitter.
2. Connect the HD-15 male/male video extension cable between the "Video Out" port of the former video/audio matrix and the "Video In" port of the latter video/audio matrix.
3. Connect the 3.5φ Stereo plug male/male audio extension cable between the "Audio Out" port of the former video/audio matrix and the "Audio In" port of the latter video/audio matrix.



Note:

Even though you are allowed to cascade the video/audio matrix with varied ports, the image might become unstable if cascade too many tiers of video/audio matrixes.

Trademarks:

All the companies, brand names, and product names referred to this manual are the trademarks or registered trademarks belonging to their respective companies.