



Electrically Height-Adjustable Table Frame



Usage & Installation Manual

DA-90459

1. Introduction

With this electrically height-adjustable table frame from DIGITUS® you can easily convert your desk into an ergonomic sit / stand workstation. Save the cost and hassle of finding a height-adjustable desktop and just use our electrically adjustable upgrade kit. This model can be used for tabletops with a length of 120-180 cm and 140-200 cm. Tabletop depths of 55 to 75 cm are recommended. Using the control panel, you can save 4 height positions and set them any time at the press of a button. The current height is shown on the LED display. Integrated collision protection prevents collision with any obstacles when raising or lowering the table.

2. Main Features

- Maximum load capacity of up to 120 kg
- Flexibly adjustable frame: Cross strut (112 - 165 cm) x longitudinal strut (130 - 180 cm)
- Suitable for tabletops: 120 - 180 cm x 140 - 200 cm and a depth of 55 - 75 cm
- The longitudinal strut (3rd leg) can be flexible installed on the left or right
- Convenient, electrical height adjustment (without tabletop): 72 - 120 cm
- Control panel for height adjustment with LED display (3 brightness settings) and memory function for 4 height settings
- Collision protection function with 3 sensitivity levels - detection of obstacles during upwards and downwards movement
- Automatic stop system - stops the motor in case of resistance and automatically moves the frame back slightly
- 3 motors for easy and quiet (< 55 dB) height adjustment - Lifting speed 25 mm/sec
- Stability is provided by the 3 pedestals (58.5 cm wide) with 2 footpads each for fine-tuning to balance out any unevenness in the ground

3. Package Content

- 1x Electrically Height-Adjustable Table Frame
- 1x User Manual

4. Technical Data

Maximum load capacity	up to 120 kg
Flexibly adjustable frame	Cross strut (112 - 165 cm) x longitudinal strut (130 - 180 cm)
Suitable for tabletops	120 - 180 cm x 140 - 200 cm and a depth of 55 - 75 cm
The longitudinal strut	(3rd leg) can be flexible installed on the left or right
Convenient, electrical height adjustment	without tabletop 72 - 120 cm
Automatic stop system	stops the motor in case of resistance and automatically moves the frame back slightly
Motors	3 motors for easy and quiet (< 55 dB) height adjustment - Lifting speed 25 mm/sec
Pedestals	3 pedestals (58.5 cm wide) with 2 footpads each for fine-tuning to balance out any unevenness in the ground
Power supply cable	Euro, plug (type C, CEE 7/16) – C7, device socket, length: 2 m
Weight	30 kg
Shape	L-Shape
Color	Gray

The product has been designed to meet Commission Regulation with regard to ecodesign requirements for electric power consumption of standby mode of electrical and electronic household equipment.

The technical information of standby mode:

Mode	Power consumption (Watts)	The period(Minutes)
Standby	≤0.3W	1min

The URL of the electronic version of the instruction manual:

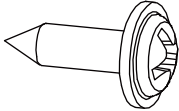
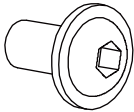
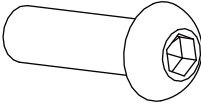
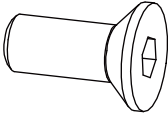
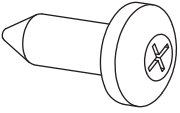

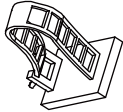
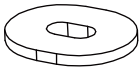
<https://bj8733.apps.aliyunfile.com/disk/s/e4Z9uyKiko3>

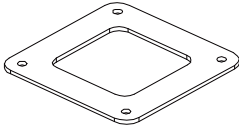
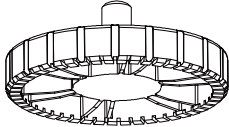
Power Supply

Manufacturer:	Huizhou Zhongbang Electronics Co., Ltd.	
Model: PCA-H300040-01	Average Active Efficiency: 88.0%	
Rated Input: 100-240VAC,50/60HZ,3A	No-load Power Consumption: ≤0.3W	
Rated Output: 30.0VDC,4A,120W		

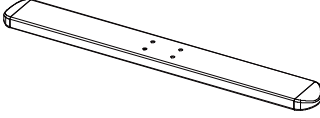
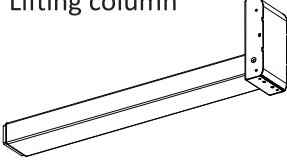
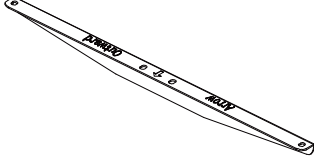
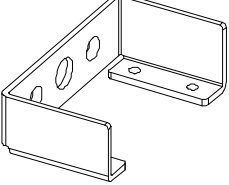
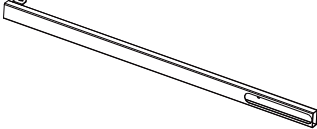
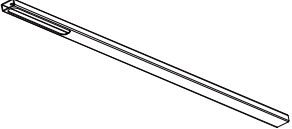
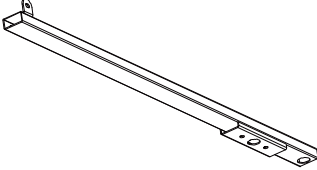
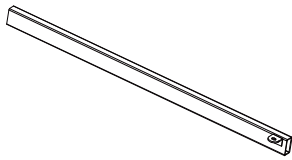
5. Accessory List

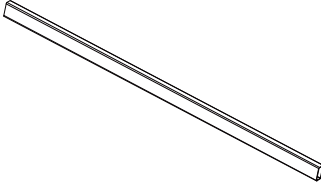
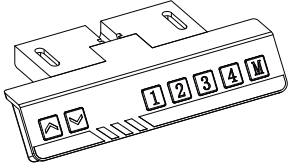

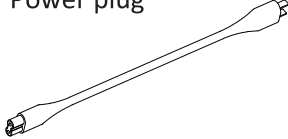
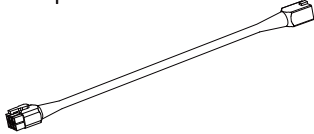
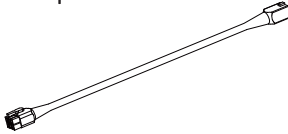
Attention: The drawings below are for guidance only and they may differ slightly from the product and fittings received. Please contact our customer service department if you have any queries.

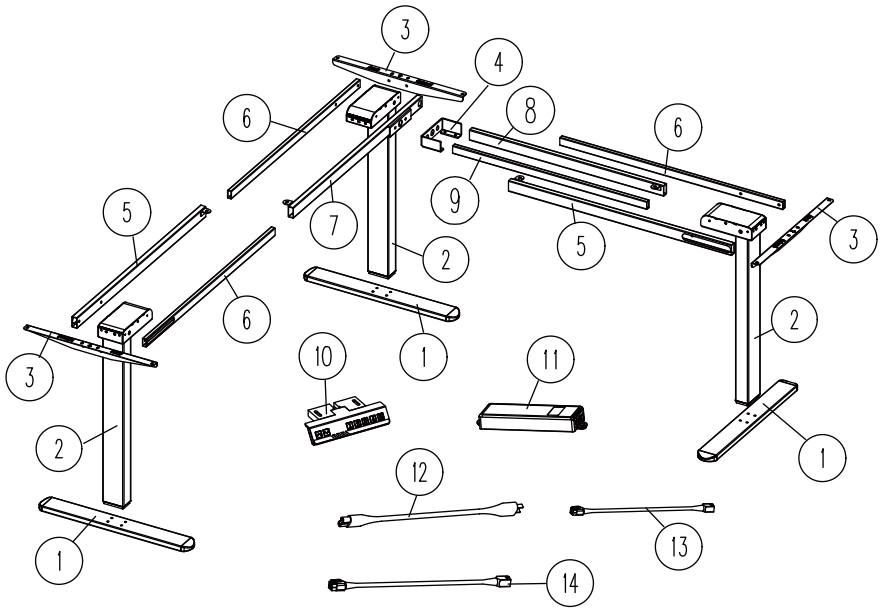
	Image	Specification	Number
A		M5 x 15 mm	24+2
B		M6 x 11 mm	38+2
B1		M6 x 20 mm	4+1
C		M8 x 12 mm	2+1
D		M5 x 15 mm	4+1
E		Allen Key S = 5 mm	1
F		Cable Tie	6
G		Rubber Pad	16+2

H		Tabletop Connector	2
I		Foot Pad	6

6. Component list

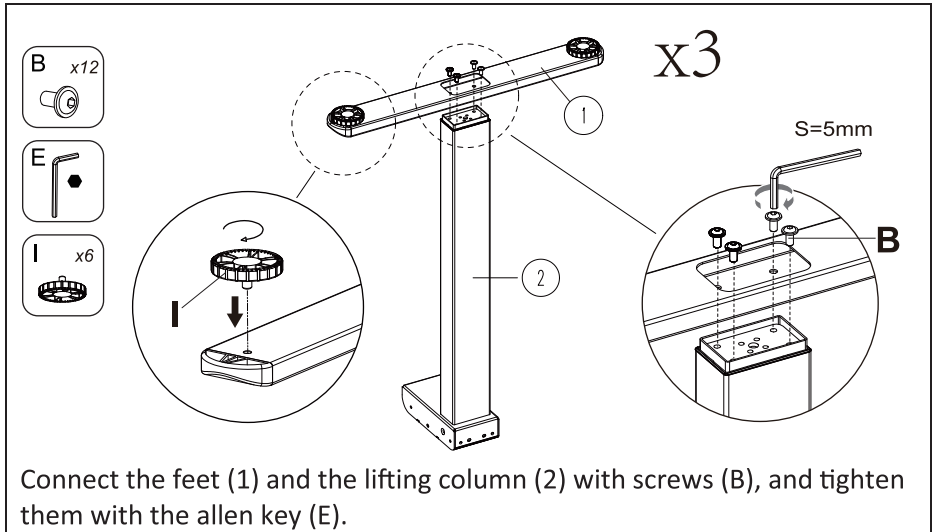
	Part	No		Part	No
1.	Feet 	3	2.	Lifting column 	3
3.	Side bracket 	3	4.	Connection arm 	1
5.	Connection rod 	2	6.	Connection rod 	3
7.	Connection rod 	1	8.	Connection rod 	1

9.	Connection rod	1	10.	Handset	1
					
11.	Control Box	1	12.	Power plug	1
					
13.	Adapter cable 1M	1	14.	Adapter cable 1.3M	1
					

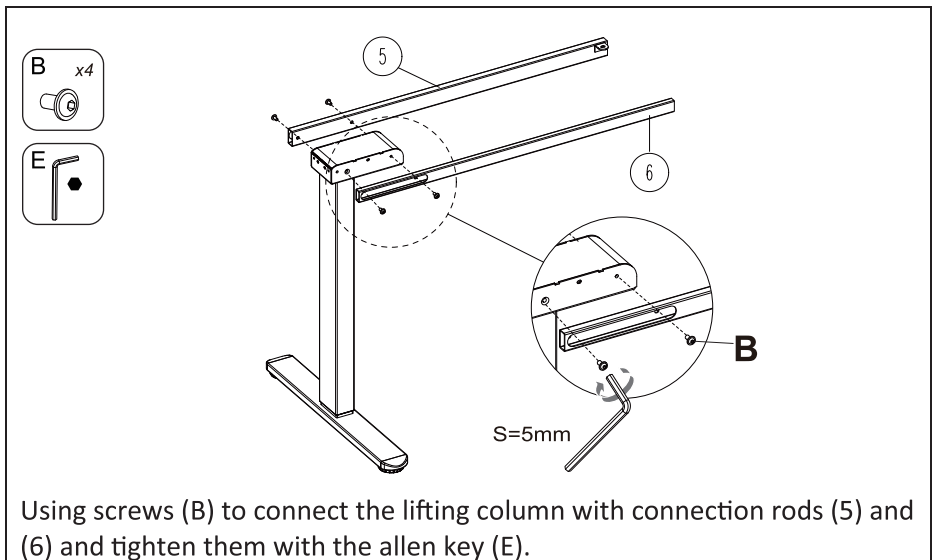


7. Assembly instruction

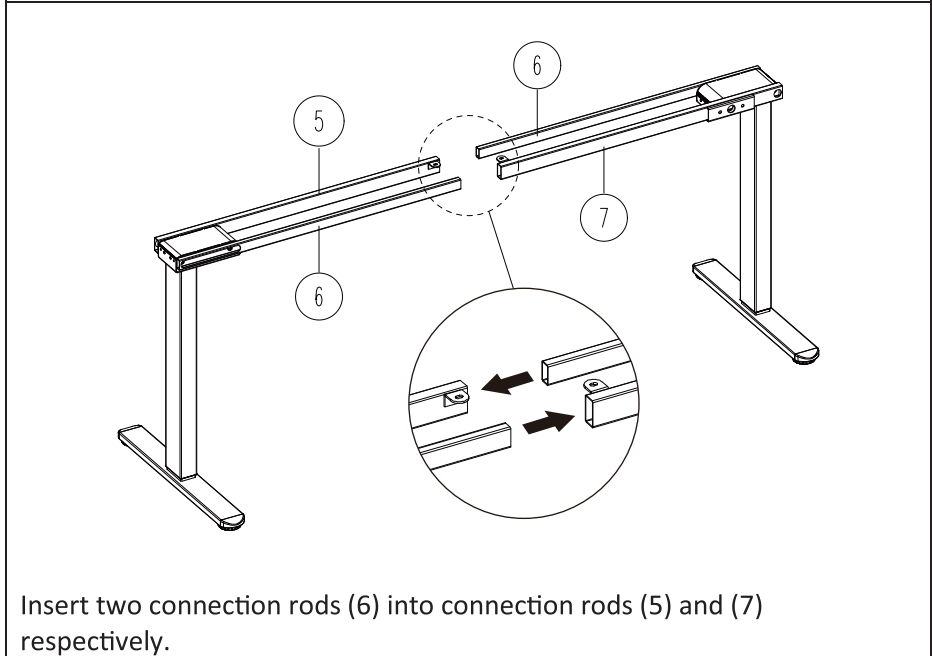
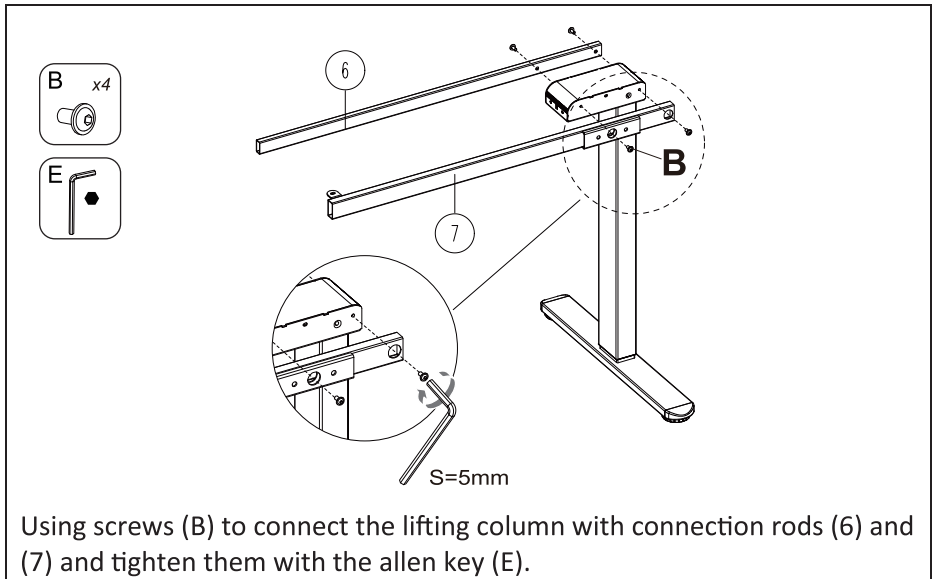
Step 1: Install the feet.



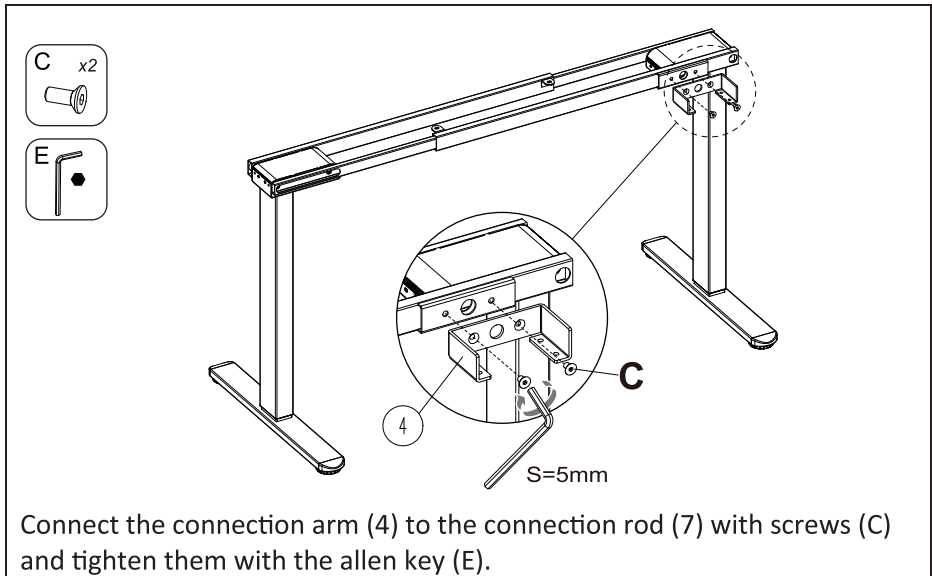
Step 2: Install the connection rod.



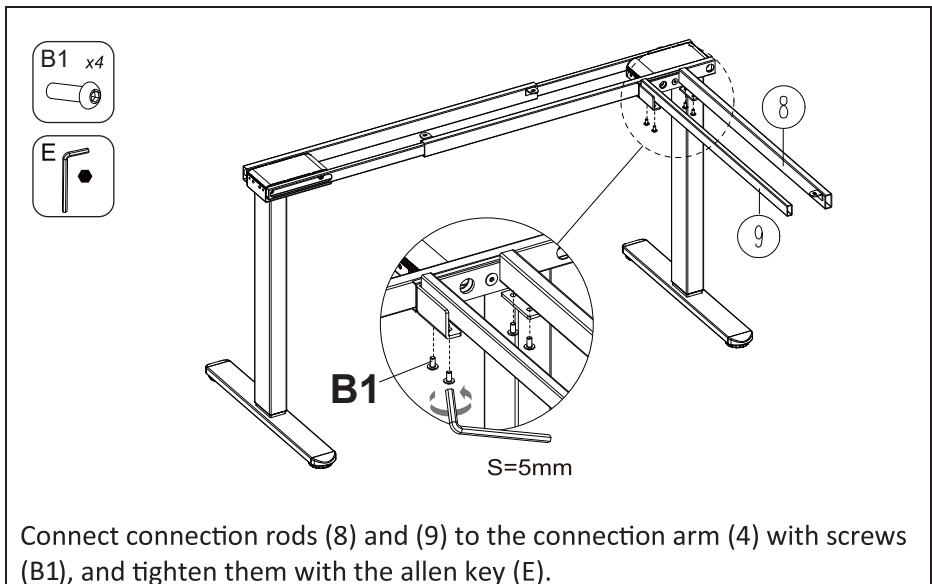
Step 3: Install the connection rod.



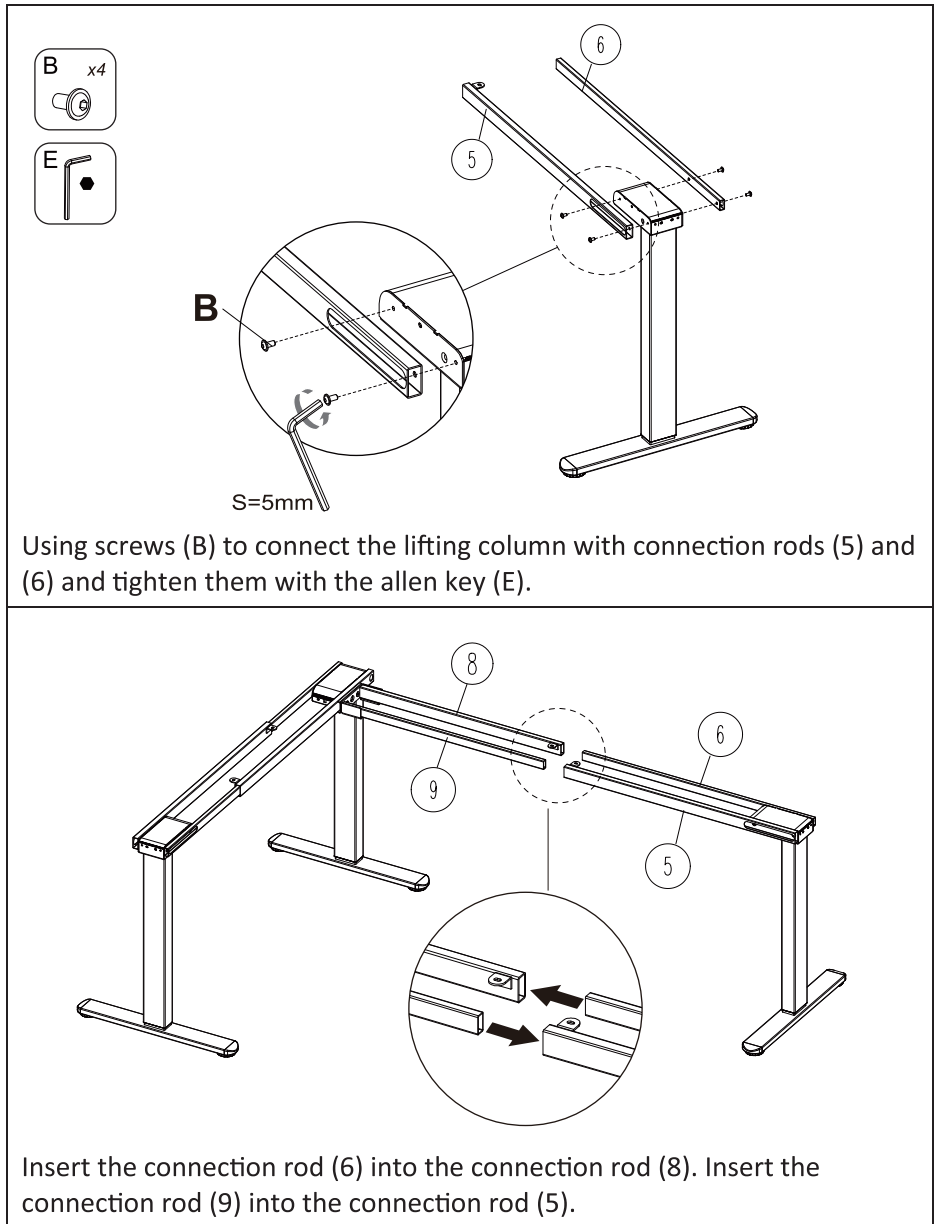
Step 4: Install the connection arm.



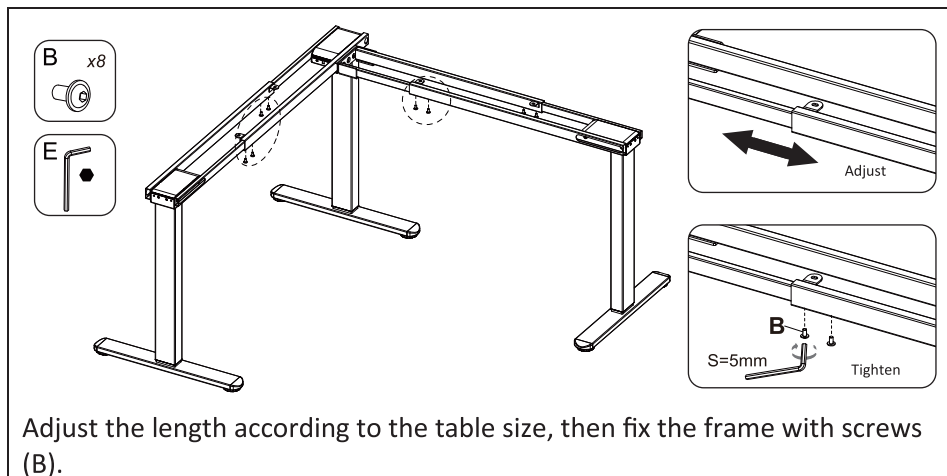
Step 5: Install the connection rod



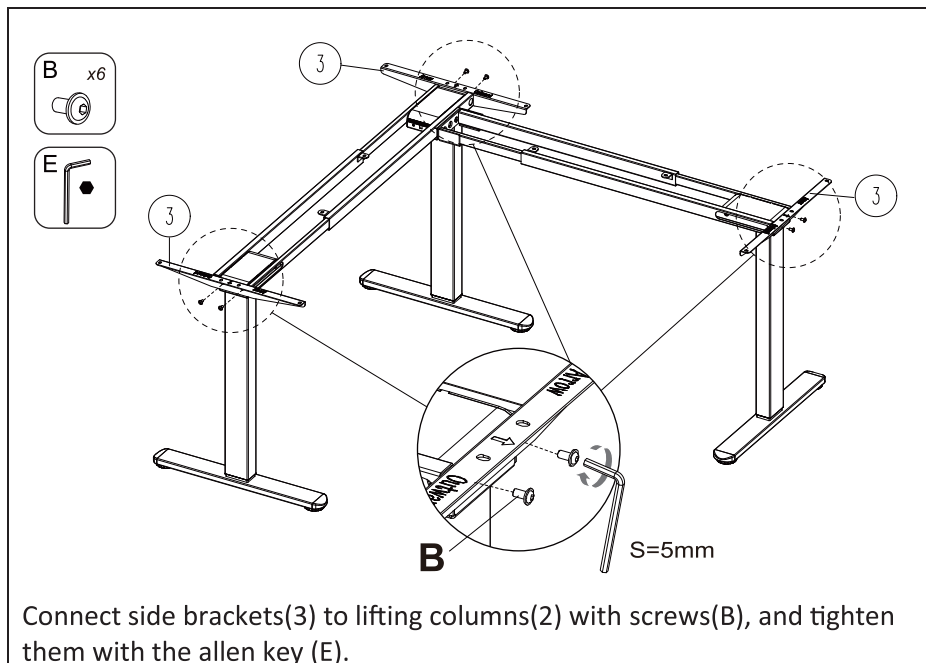
Step 6: Install the connection rod.



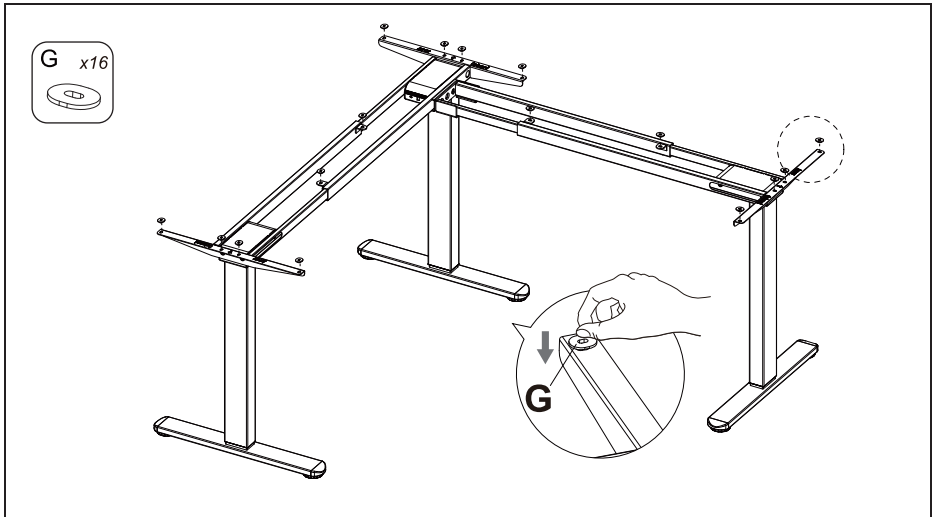
Step 7: Fix the connection rod.



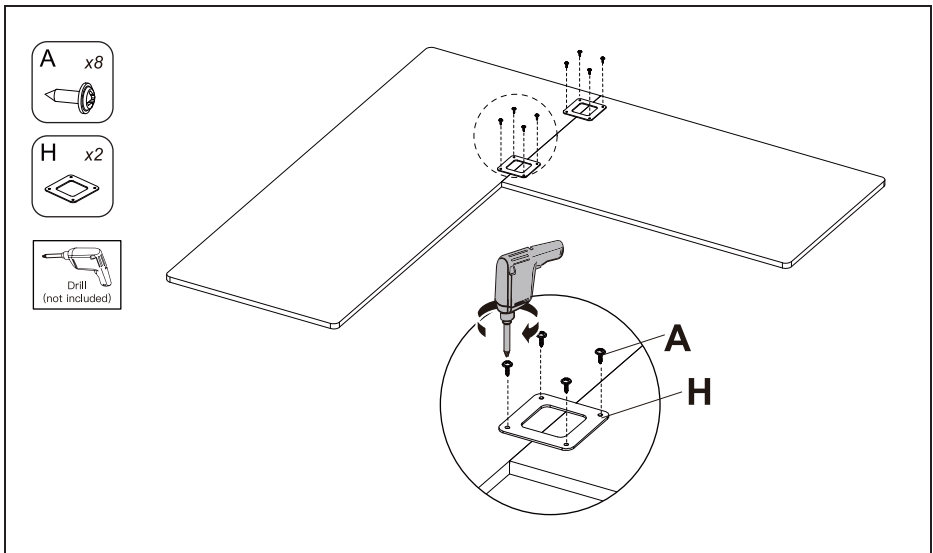
Step 8: Install the side bracket.



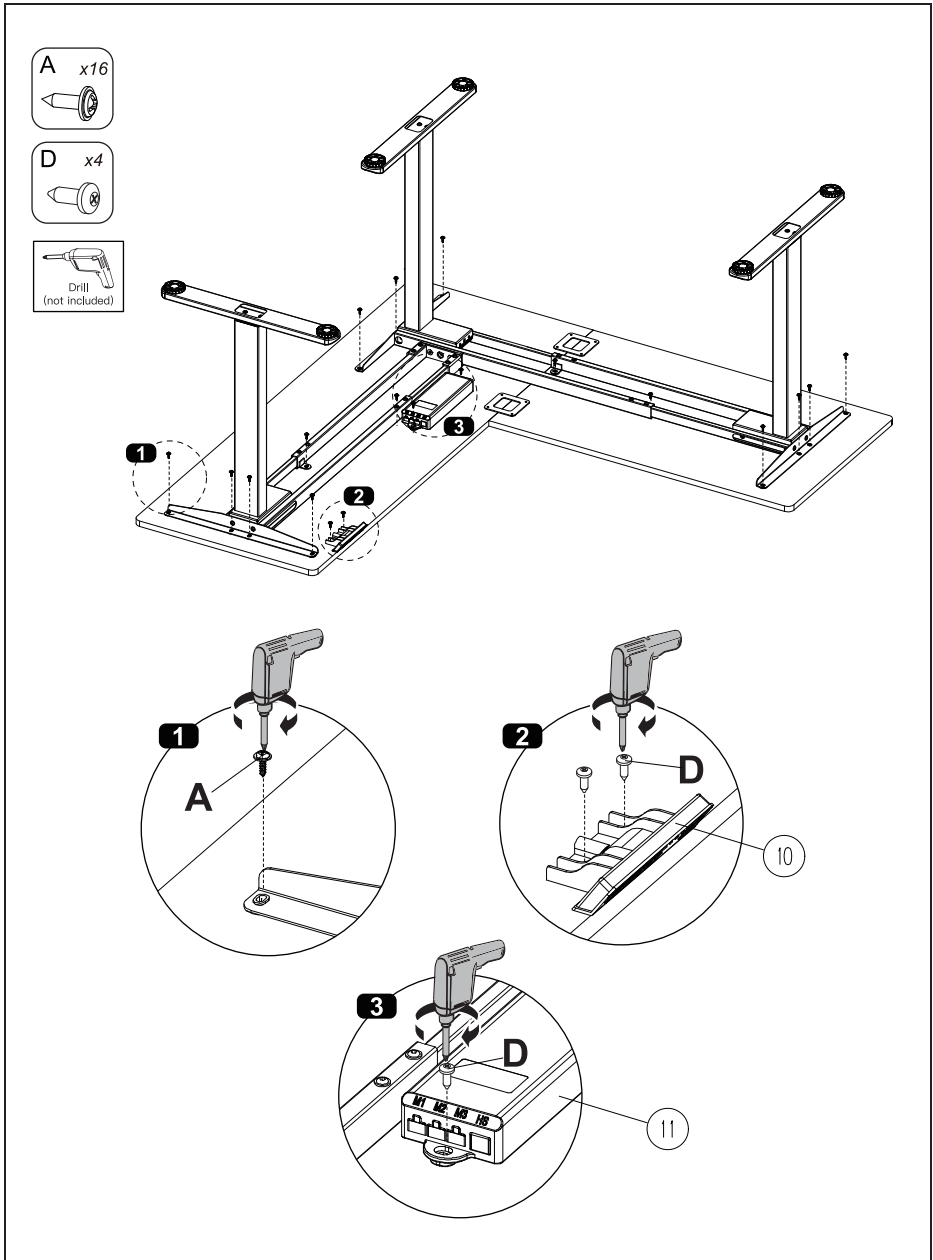
Step 9: Install the rubber pads.



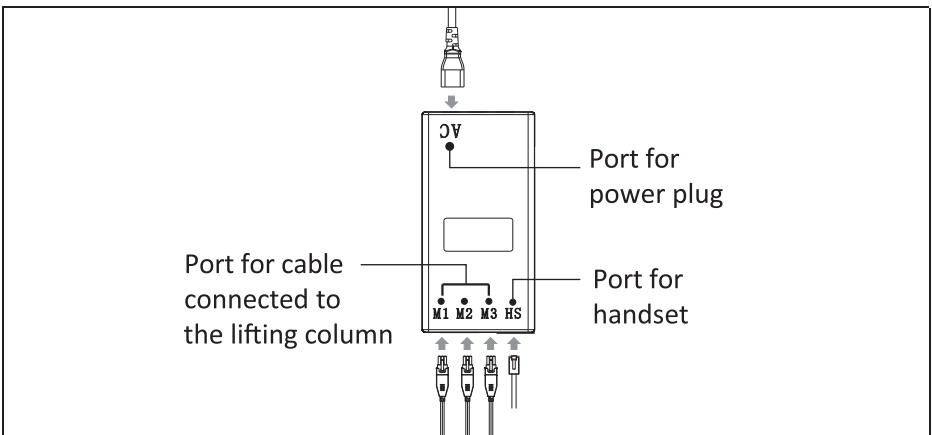
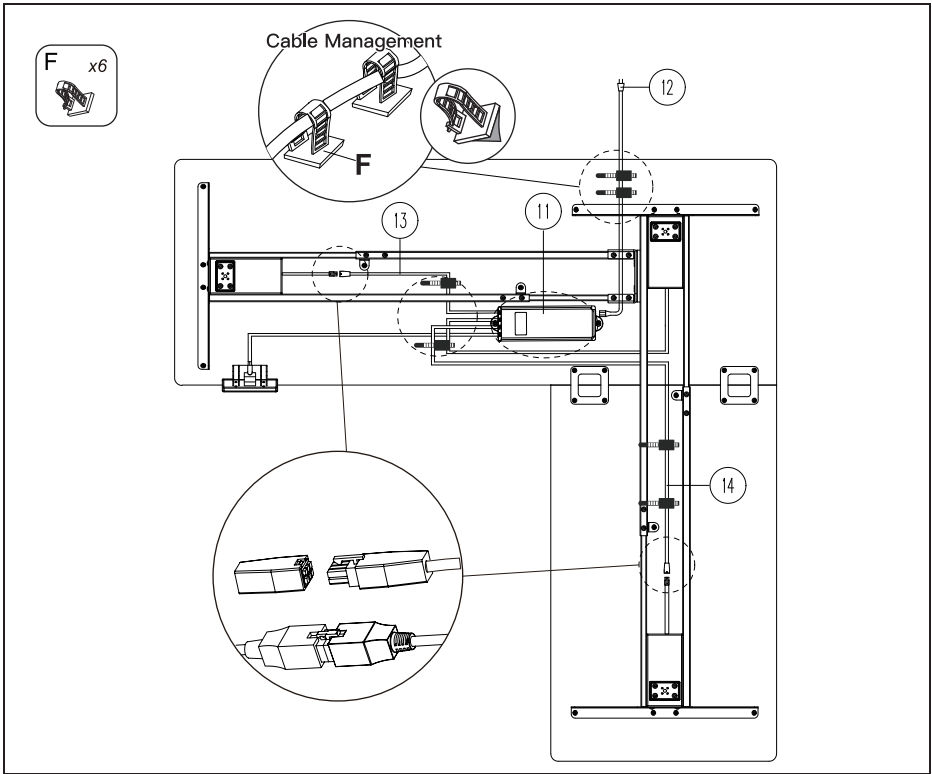
Step 10: Install the tabletop.



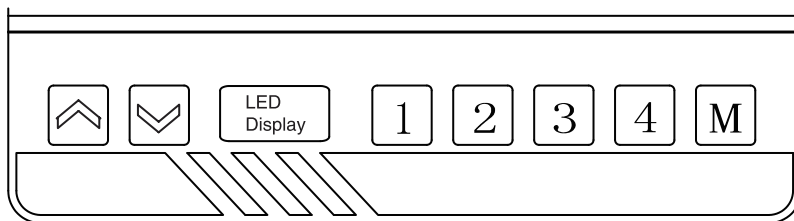
Step 11: Install the tabletop, control box.










Step 12: Connect cables and power plug.



8. Common fault treatment



	Adjust the desk upwards
	Adjust the desk downwards
	Height Preset 1
	Height Preset 2
	Height Preset 3
	Height Preset 4
	To set Height Preset, press the M button until LED Display flashes then Preset 1, 2, 3 or 4 to program preset

Error Code Troubleshoot (Shown on LED Display)		
Hot	Over-heating protection	Alarms when continuously in motion for 2 minutes. Power back on and wait for at least 18 minutes before adjusting height again.
E10	Detection alarm	Alarms when motor sensor cannot be detected. Turn off power, check the connection of motor and control box, and then power back on.
E20	Overload protection	If alarm sounds when the desk is moving up, remove loads off the desk and try again. If it

		alarms when desk is moving down, turn off the power, remove loads off the desk and re-try.
E02	Rebound protection	Alarms when vibrated, collided or inclined during height adjustment. Check if there is anything in the way of desk motion. Then proceed to the reset the motor.
E32	Overvoltage alar	It alarms when voltage is higher than anticipated value. Turn the power off, check the connection between power and control box. If no problem, power it back on.
E31	Undervoltage alarm	It alarms when voltage is lower than required value. Turn the power off, check the connection between power and control box. If no problem, power it back on.
E60	Step out alarm	It alarms when height difference of three legs exceeds the set value. Power off first. Check if all three legs are at the same height. If not, power it back on and reset.
	Breaking protection	It stops and enters protection state when motor cables or manual control cables are removed or disconnected accidentally; goes back to normal after it's reconnected and alarm is cleared.

Engineering Mode	
Change Displayed Unit (Un)	Press and hold the “M” button, until “S--” shows and flashes. Press “M” again and the display shows “Un”. Press “M” to select. Press \uparrow or \downarrow to switch between “SI” (metric) or “IN” (imperial). Press “M” to save your selection.
Change Brightness (br)	Press and hold the “M” button, until “S--” shows and flashes. Press

	<p>“M” again and the display shows “Un”.</p> <p>Press ↑ or ↓ to switch to “br”.</p> <p>Press “M” to select. Press ↑ or ↓ to switch between</p> <p>Low (L), Normal (n) or High (H) brightness. Press “M” to save your choice.</p>
Collision Force Detection (CF)	<p>Press and hold the “M” button, until the “S--” shows and flashes.</p> <p>Press “M” again and the display shows “Un”. Press ↑ or ↓ to switch to “CF”. Press “M” to select. Press ↑ or ↓ to switch between</p> <p>“OFF”, Low (L), Normal (n) or Heavy (H) collision force detection. Press “M” to save your choice.</p>
Reset	<p>Press and Hold ↓ for 5 seconds, the LED display will show ‘RES’ and the desk goes down to the lowest level and comes back to certain height to finish Reset process.</p>

9. Important Safety & Usage Instructions

1. This appliance can be used by children aged from 8 years and above and persons with reduced physic, sensory or mental capabilities or lack of experience and knowledge if they have been given supervision or instruction concerning use of the appliance in a safe way and understand the hazards involved
2. Persons with reduced physical, mental abilities and or lack of experience and knowledge must not use the product, unless they're under supervision, understand the hazards involved or they have been thoroughly instructed in the use of the apparatus by a person who is responsible for the safety of these persons

3. Children are forbidden to play on the product because of unforeseen actions when playing, so any dangerous consequences caused by this improper action will not be manufacturers. Children are forbidden to play with the appliance at all
4. Be familiar with all functions and program settings of the product before first use
5. Check carefully to ensure correct and complete assembly before using
6. Cleaning and user maintenance shall not be made by children without supervision
7. If the supply cord is damaged, it must be replaced by the manufacturer, its service agent, or a similarly qualified person in order to avoid a hazard
8. Please make sure there is no hazard sources in your operating environment e.g., do not litter the tools around. Always be careful to treat the packaging materials to avoid any possible danger, e.g., plastic bag may lead to choking hazard to children
9. Keep the original package of the equipment, if necessary, in case of the future use in transportation
10. Power supply: AC 100 V – 240 V, 50 / 60 Hz
11. Operating Temperature: 0 – 40°C
12. Unplug the power plug before cleaning, wipe the dust off the surface with a slight wet dishcloth, be careful do not let the drops into the internal parts and do not lose the connector
13. The electric box contains electronic components, metals plastics, wires etc., so dispose of it in accordance with each countries environmental legislation, not the general household waste
14. Slight noise caused by the brake system due to structure will not have any effect on the use of the equipment
15. Corrosive or abrasive materials are forbidden to clean the equipment. Must ensure that the cleaner used will not pollute the environment
16. This appliance shall only be used together with the included power supply unit. Every person who is responsible for this table at installation or employment of the table in daily use or in service and repair work should carefully read these instructions. Keep these instructions close to your sit/stand table
17. The table shall only be used as a working table with the possibility to continuously adjust working height between sitting and standing position. The table shall only be used indoors and in dry premises (office environment or similar)

18. The table must not be overloaded – maximum load is 120 kg
19. The motors may be run continuously for maximum 2 minutes. Afterward, the motors must stand by for approx. 18 minutes before they can be used again
20. Any failure to comply with the safety and installation instructions in this manual may cause serious bodily injury
21. Users should make sure that they never sit on the desktop in order to prevent serious bodily injury
22. Don't clean the product with water while the power is still connected
23. Don't disassemble or replace components while the power is still connected
24. Never operate the system with a damaged cord or plug
25. Never operate the system if it's in moist environment or its electrical components have contact with liquid
26. Don't operate the system if the control box makes noise or odor. Alterations of the given power unit and control box aren't allowed
27. Clear up all obstacles within the height adjustment range
28. Don't leave the cords or plug unorganized in order to prevent tripping hazards
29. Any attempts to reconstruct the desk frame aren't allowed
30. Don't add anything to the adjustable junctions of the desk frame
31. Outdoor use is prohibited
32. When the table is run up/down, keep the necessary safety distance to avoid the risk to get squeezed between the moving table top and fixed objects in the surrounding area
33. When the table is run up/down the user shall keep watch so that nobody is injured or no object is damaged. The table top must not bump into a fixed object so that the table is overturned. Always remove any office chair before the table is run up/down
34. Alterations to the control box are absolutely forbidden
35. The table must not be used as a hoisting device for persons

Disclaimer

Hereby Assmann Electronic GmbH, declares that the Declaration of Conformity is part of the shipping content. If the Declaration of Conformity is missing, you can request it by post under the below mentioned manufacturer address.

info@assmann.com
Assmann Electronic GmbH
Auf dem Schüffel 3
58513 Lüdenscheid
Germany

