



WORKSTATION (MONITOR, KEYBOARD) WALL MOUNT



Quick Installation Guide

DA-90451

1. Introduction

The DIGITUS® Workstation gives you the option of flexible configuration for a workspace via wall installation. The monitor mount supports monitors up to 32" (VESA 75x75 / 100x100) with a max. weight of 8 kg. The shelf for keyboard and mouse also offers a max. load capacity of 8 kg. Both arms can be individually height adjusted based on the carrier mount that is installed on the wall.

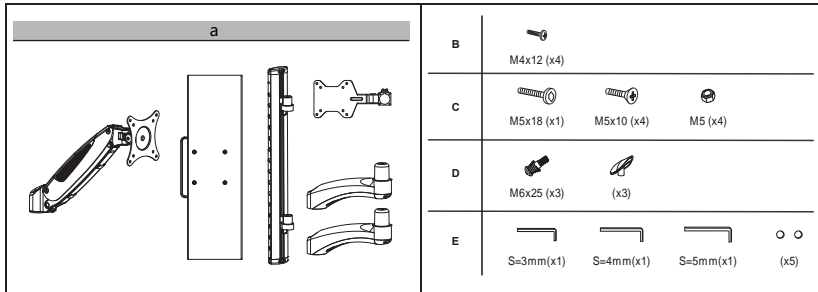
2. Feature

- Monitor arm (gas spring) – 45° inclination, 180° swivel range, VESA mount 360° rotation range
- Monitor arm suited for monitors up to 32" and max. weight of 8 kg (VESA 75x75, 100x100)
- Mount for keyboard & mouse (double hinged arm) – Size: W 60 x D 17.8 cm and handle on the front side
- Double hinged arm with a load capacity of max. 8 kg – Swivel range up to 180°
- Individual height adjustment of both arms on the carrier mount (height 73 cm)
- Integrated cable management
- Easy wall installation using three screws
- High-quality aluminium/steel design

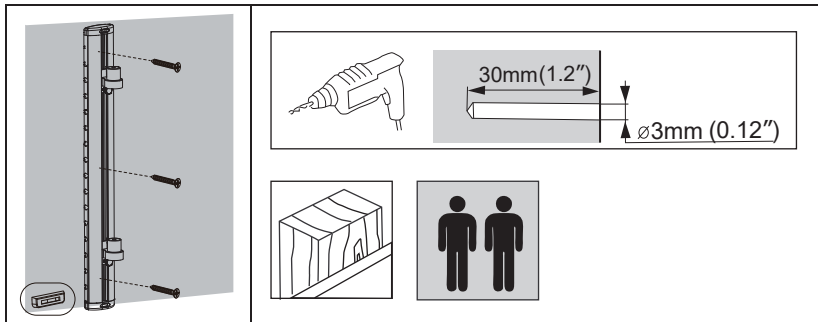
3. Package Content

- 1x Workspace – wall installation
- 1x Mounting material
- 1x QIG

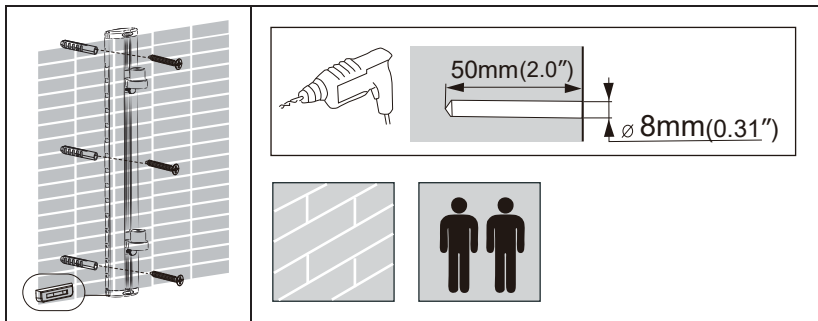
4. Installation

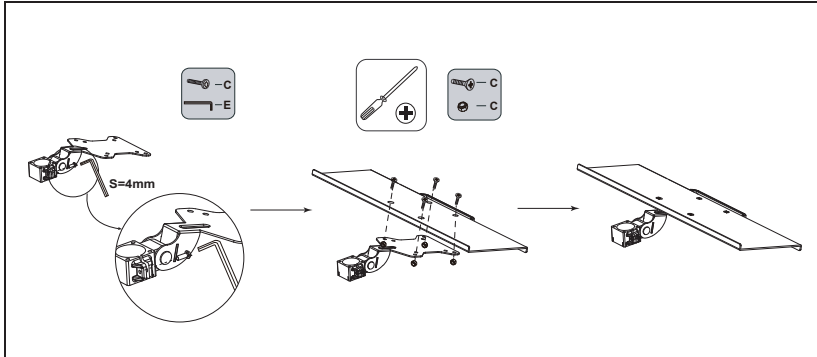


4.1. Wood, wood stud wall

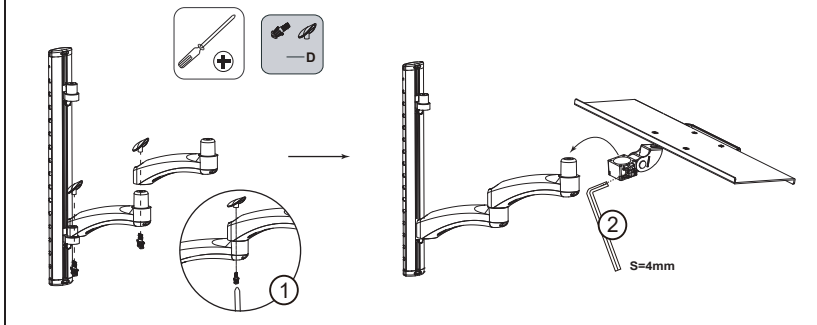


4.2. Concrete wall

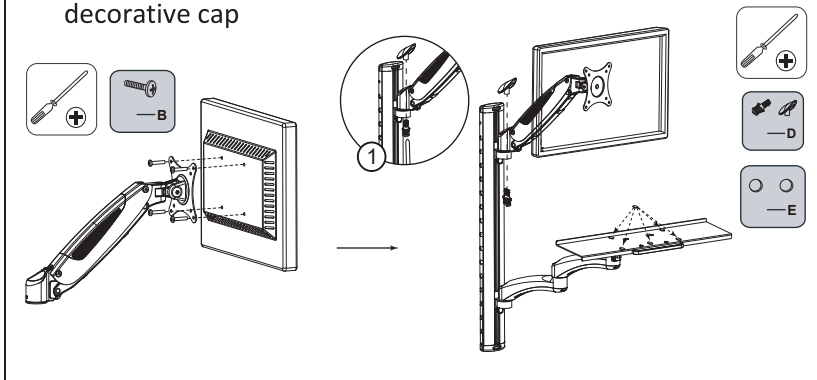




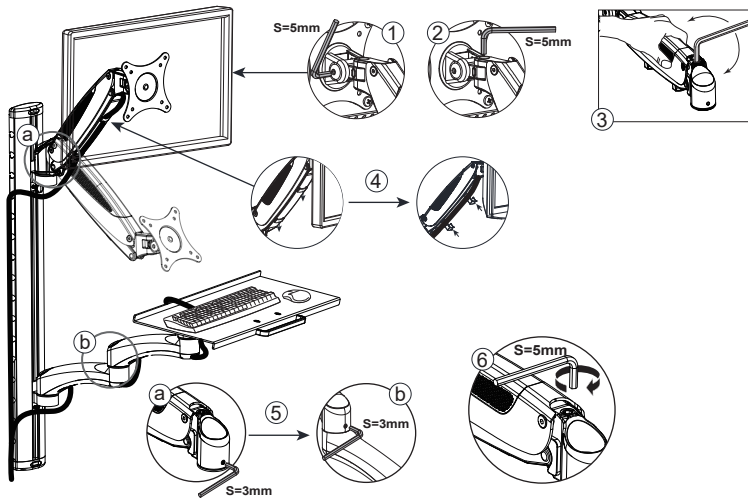
1. Insert the screw through the hole from extension arm to the decorative cap
2. Adjust to proper tension



1. Insert the screw through the hole from extension arm to the decorative cap



1. VESA Tilt Adjustment
2. VESA Swivel Adjustment
3. Press down the arm to a horizontal position
4. Cable Management
5. Arm Swivel Adjustment



6.

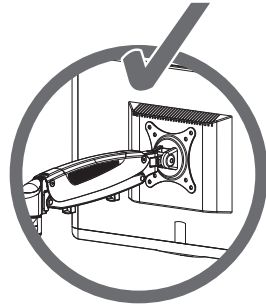
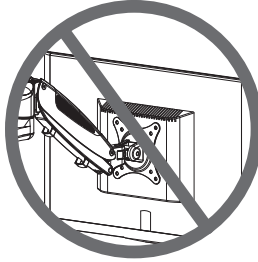
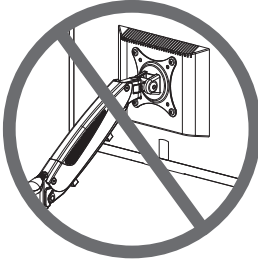


1 turn \approx 1lbs \approx 0.4kg

NOTE: Turn clockwise to reduce tension for lighter monitors and counter-clockwise to increase tension for heavier monitors



Be sure to keep the arm in horizontal position during adjustment. Or else, it would be difficult to adjust the mount.



www.assmann.com
Assmann Electronic GmbH
Auf dem Schüffel 3
58513 Lüdenscheid
Germany

