



**TV presentation cart
with shelf 37-70", black**



Quick Installation Guide
DA-90447

1. DEAR CUSTOMER

Read the entire instruction manual before you start installation and assembly. If you have any questions regarding any of the instructions or warnings please contact your local distributor for assistance.

CAUTION: Use with products heavier than the rated weights indicated may result in instability causing possible injury.

- Please closely follow the assembly instructions. Improper installation may result in damage or serious personal injury.
- Safety gear and proper tools must be used. This product should only be installed by professionals.
- Make sure that the supporting surface will safely support the combined weight of the equipment and all attached hardware and components.
- Use the mounting screws provided and DO NOT OVER TIGHTEN mounting screws.
- This product contains small items that could be a choking hazard if swallowed. Keep these items away from children.
- This product is intended for indoor use only. Using this product outdoors could lead to product failure and personal injury.

IMPORTANT: Ensure that you have received all parts according to the component checklist prior to installation. If any parts are missing or faulty contact your place of purchase for a replacement.

MAINTENANCE: Check that the product is secure and safe to use at regular intervals (at least every three months).

2. INTRODUCTION

The TV cart is suitable for 37-70" TVs up to 50 kg and can be used in various areas, such as offices, conferences, restaurants, hospitals, etc. The four height settings of the mounting plate allow it to be adjusted to the desired height. The tool-free tilt adjustment ensures the optimum viewing angle. Thanks to the (two) lockable casters, the TV cart can be easily moved and stopped at will. The integrated cable management makes for a clean appearance. Notebook, player, etc. can be placed on the practical shelf.

3. FEATURES

Supported monitor sizes:	37 - 70"
Maximum load capacity:	50 kg
Height-adjustable:	4 positions (128.5/134, 139.5, 145 cm) for optimum viewing position.
Free swivel design:	easy adjustment forward or backward for better visibility and less glare.
Heavy-duty casters with locking mechanism (2 x casters):	can be moved or stopped at will.
Cable management:	keeps everything organized.
Practical shelf for notebook, player, etc.	40.4 x 25 cm, maximum load capacity: 5 kg
VESA compatibility:	100x100, 200x100, 200x200, 300x200, 300x300, 400x200, 400x300, 400x400, 600x400.
Tilt range:	+5° to -12°

4. PACKAGE CONTENT

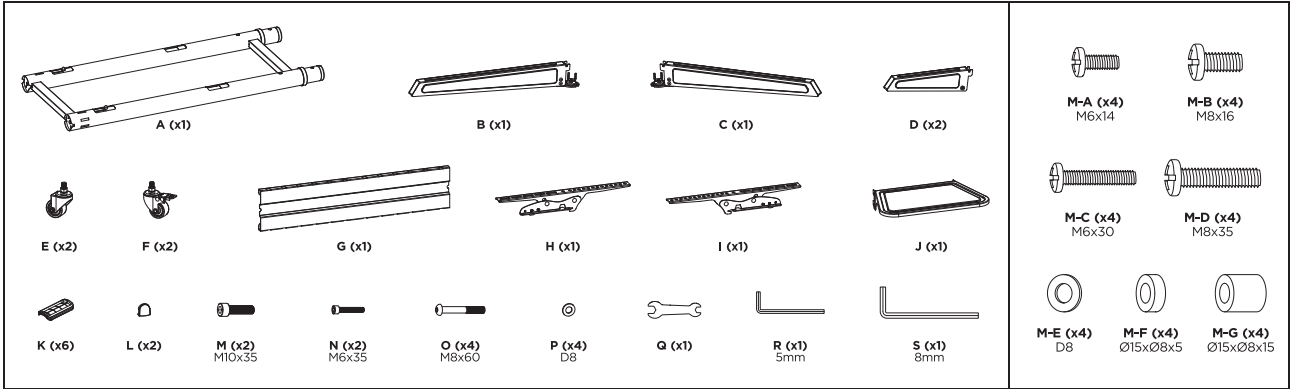
Before attempting to use this unit, please check the packaging and make sure the following items are contained in the shipping carton

- 1 x TV presentation cart
- 1 x mounting material
- 1 x Assembly instructions

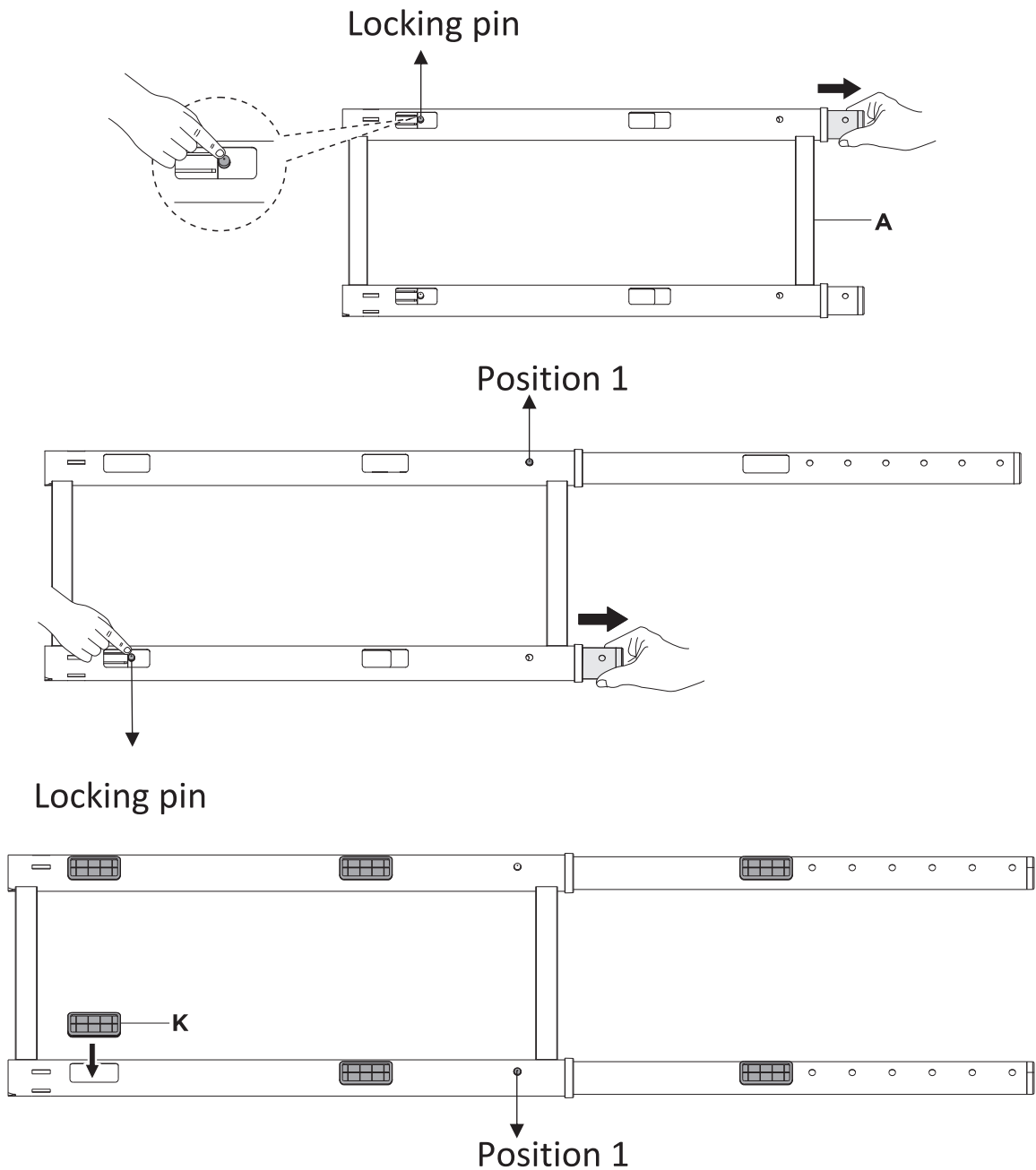
5. SPECIFICATIONS

Material:	Steel
Color:	Black
Surface:	Powder coating
Dimensions:	W 87.1 x H 166.5 (max.) x D 67.8 cm
Weight:	10.5 kg

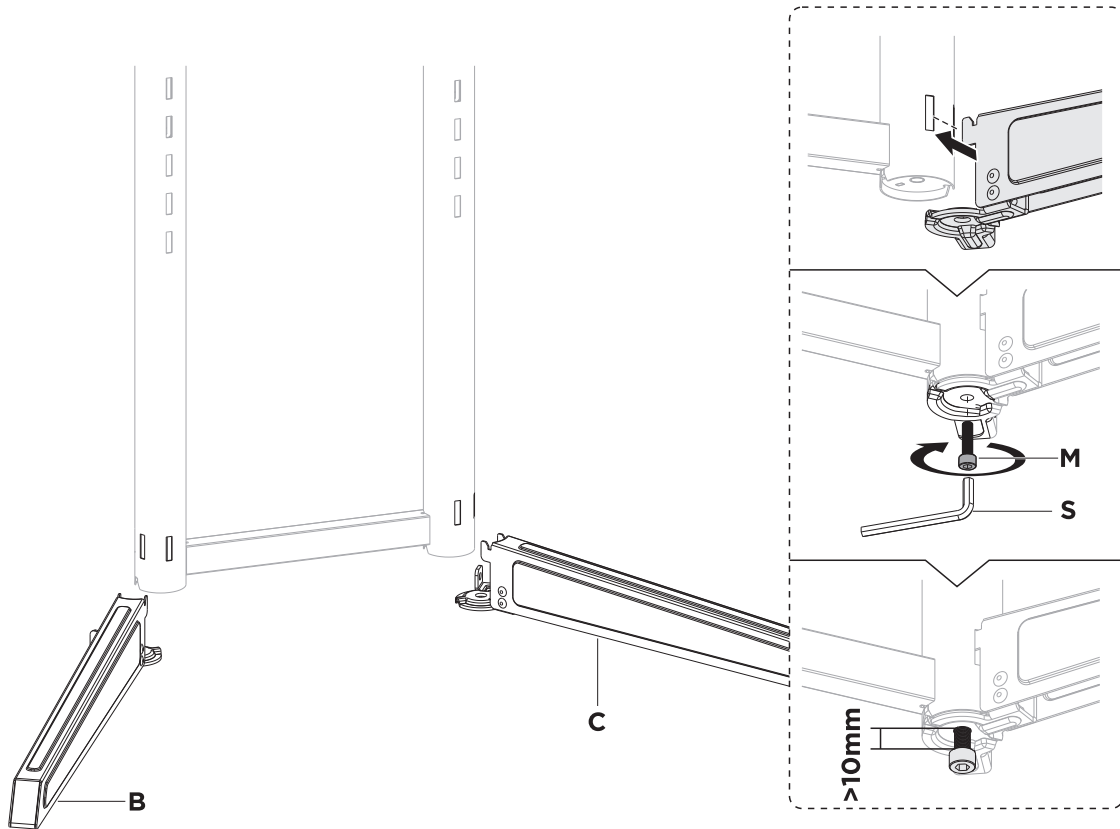
6. INSTALLATION METHOD



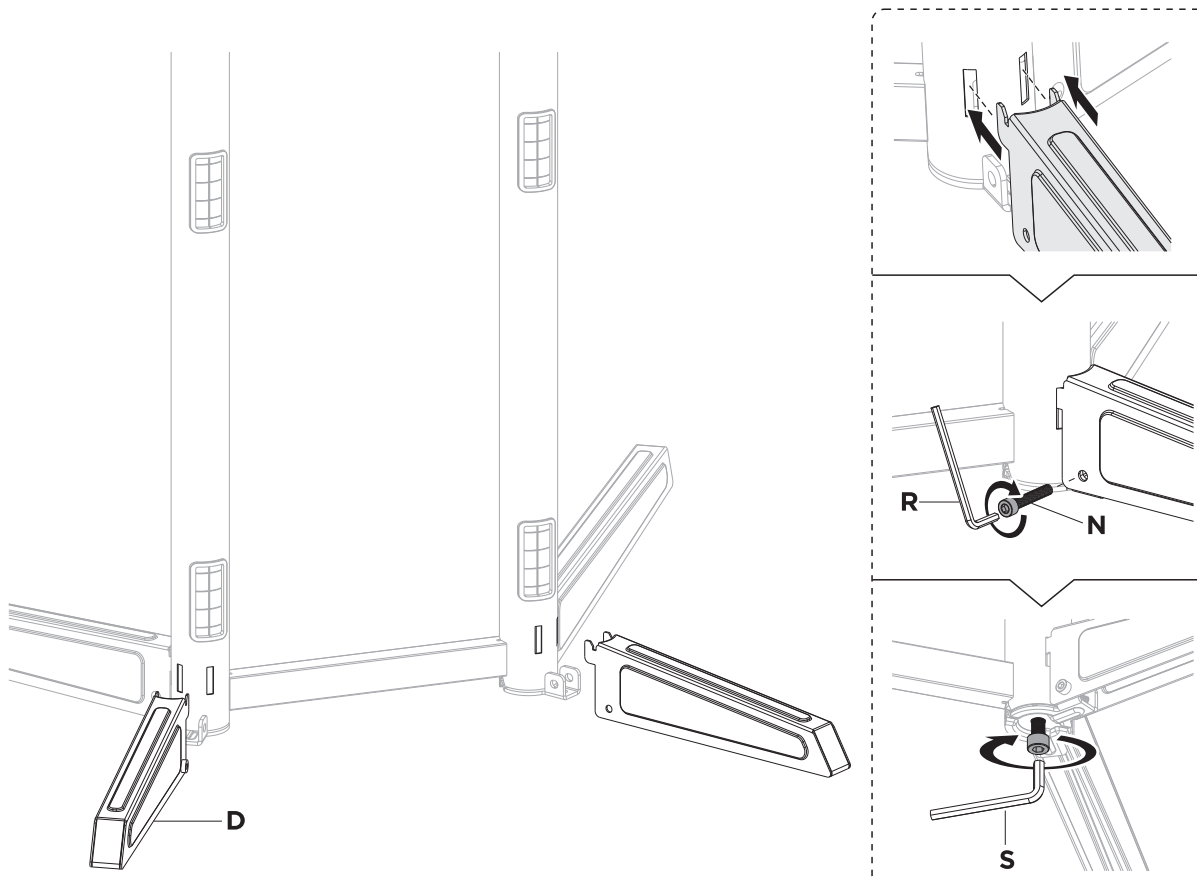
1. Press the locking pin and adjust it to Position 1 as show



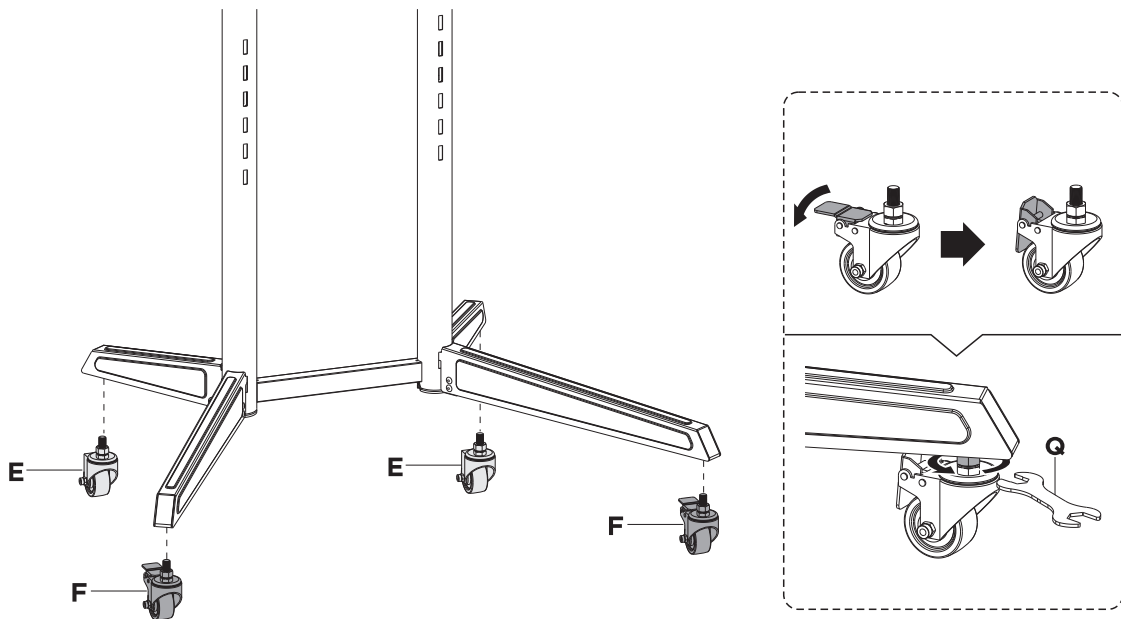
2.



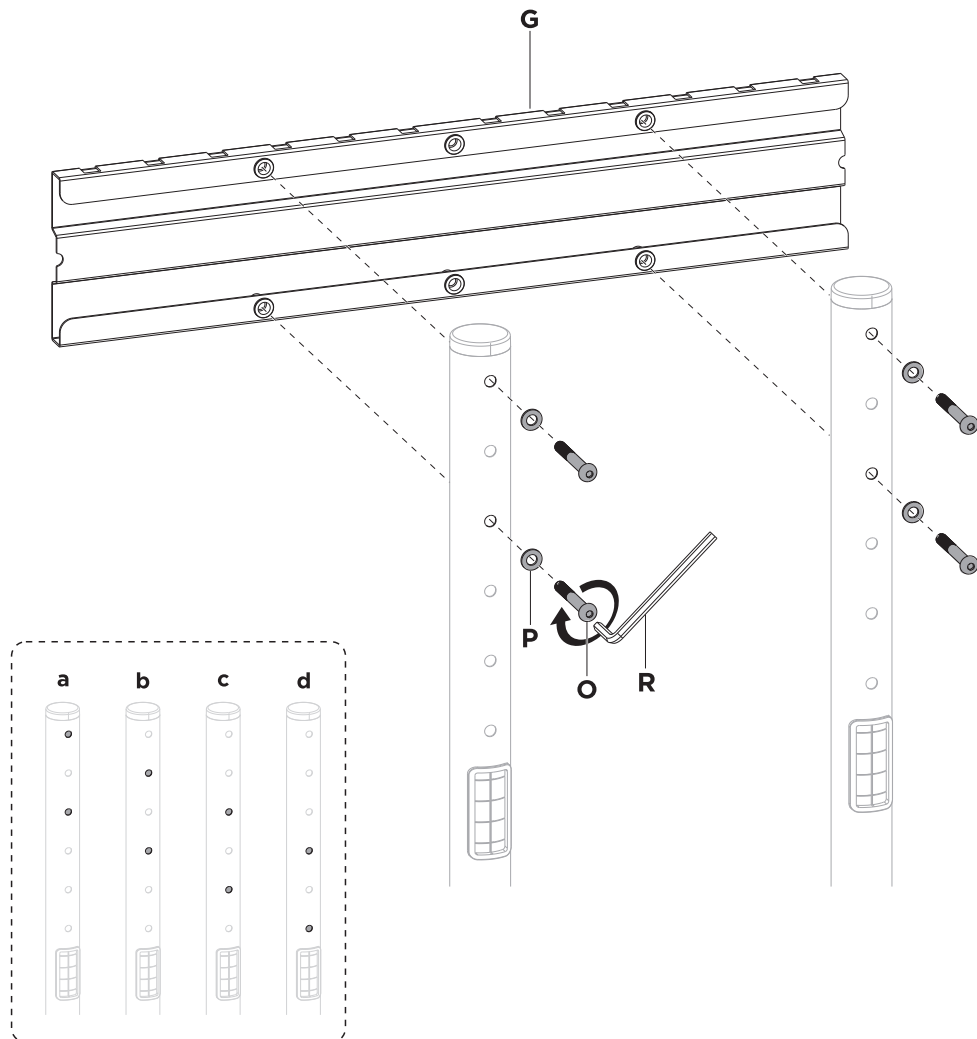
3.



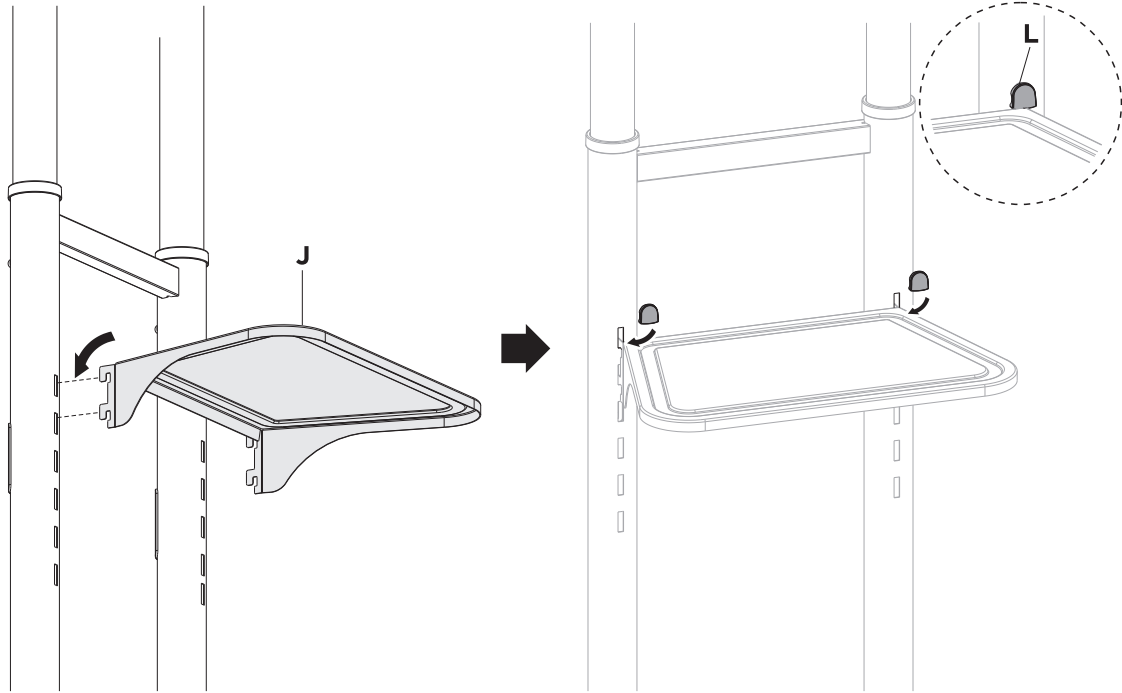
4. Lock the brakes on the casters to avoid any sudden movements during installation.



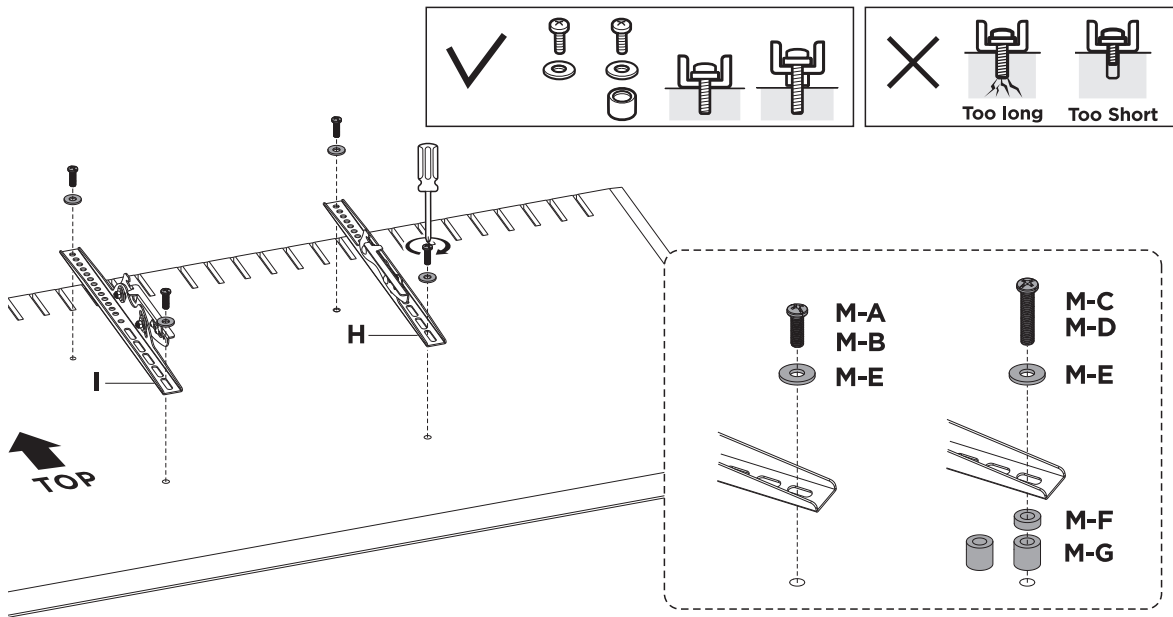
5.



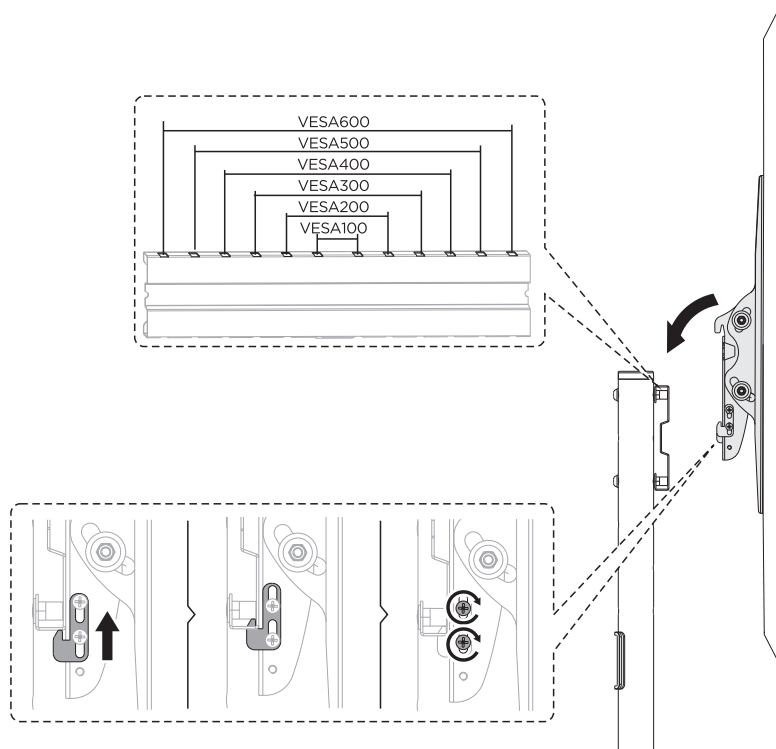
6.



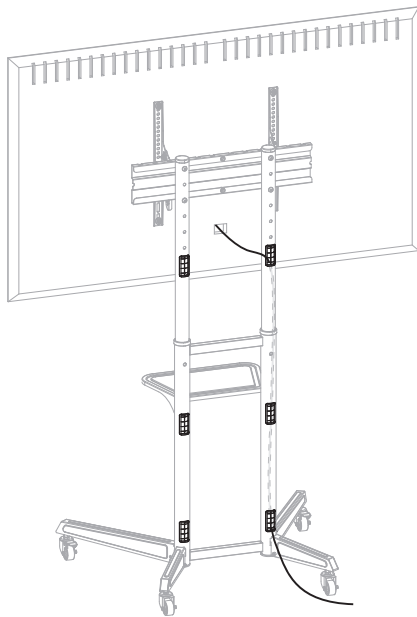
7.



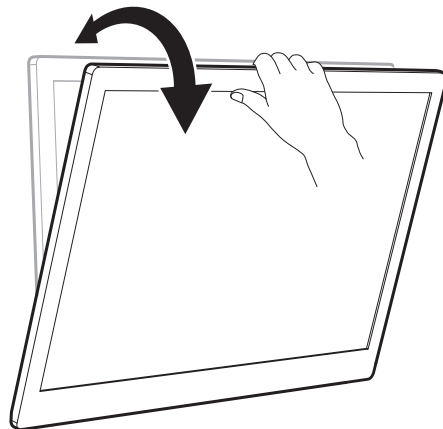
8.



9.



10.



www.assmann.com
ASSMANN Electronic GmbH
Auf dem Schüffel 3 58513 Lüdenscheid, Germany

