



# Under-Desk Drawer



**Quick Installation Guide**

DA-90443

## 1. Introduction

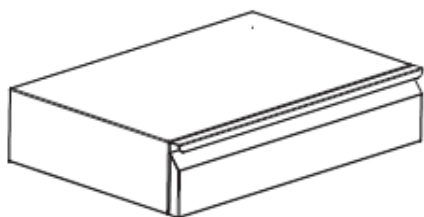
Pull-out under-desk drawer for individual placement at the workplace -  
The perfect addition to your height-adjustable desk. Create additional storage space. The maximum load capacity is 5 kg.

## 2. Features

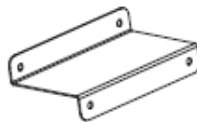
1. Dimensions: W 51.3 x D 31-48 x H 10.8 cm
2. Sturdy steel frame: 5 kg max. Load capacity
3. Rank: Standard
4. Surface Finish: Powder Coating
5. Easy and quick assembly
6. Drawer can be pulled out up to 17 cm
7. Smooth slide mechanism: quiet opening and closing
8. Recommended for tabletops with a thickness of 18 mm or more
9. Material: Steel
10. Color: Matte Black
11. Weight Capacity: 5kg
12. Weight: 4.6 kg

## 3. Package Content

- 1 x Under-Desk Drawer
- 1 x Mounting material
- 1 x QIG



A (x1)



B (x2)



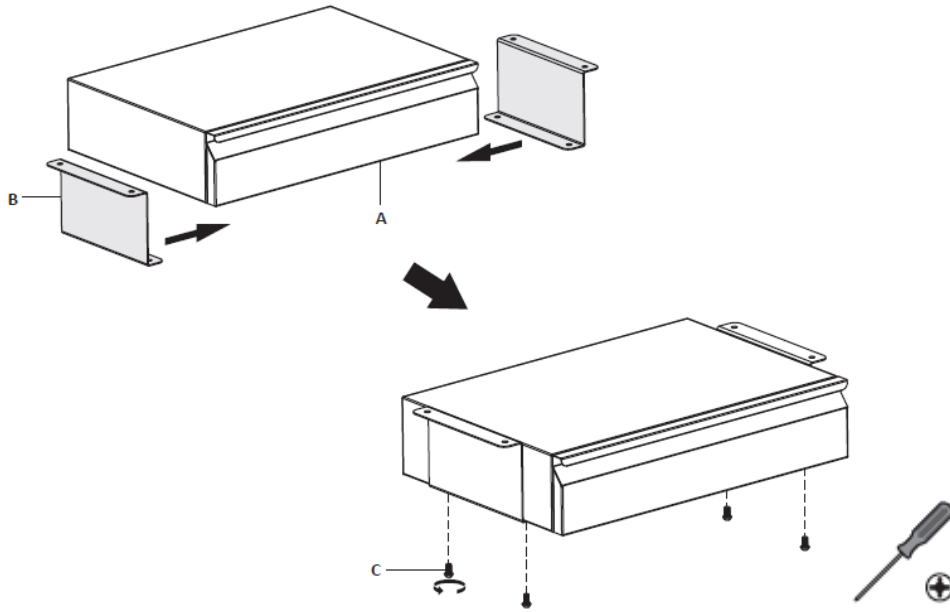
C (x4)



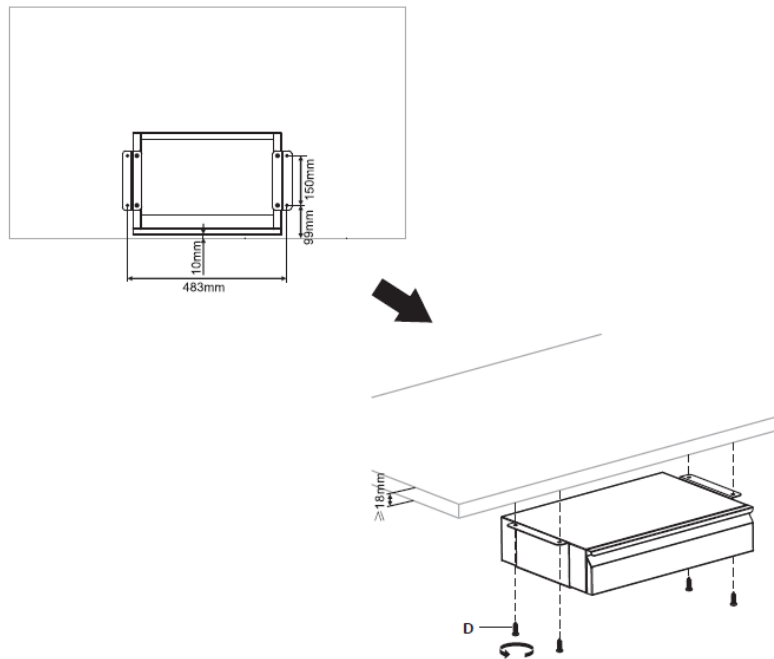
D (x4)

# 4. Mounting Instructions

## Step 1:



## Step 2:



www.assmann.com  
ASSMANN Electronic GmbH  
Auf dem Schüffel 3  
58513 Lüdenscheid  
Germany

