



Universal Monitor Mount



Quick Installation Guide

DA-90437

Table of contents

1. Introduction	2
2. Technical Features	2
3. Package content.....	3
4. Mounting Instruction	4

1. Introduction











Universal Monitor Mount for flexible placement of your monitor (32" / 8 kg max.) at the workplace with easy horizontal and vertical tilt and swivel as well as height adjustment.



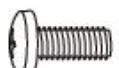



2. Technical Features

Description	Universal Monitor Mount
Suitable for	(Curved) monitors up to 32" / 8 kg max.
VESA compatibility	75 x 75, 100 x 100, can be fixed/released by means of a screw during mounting and dismounting
Mounting options	Stand
Housing	Steel, plastic
Number of monitors	1
Monitor mount	Tilt: -45°/+45°, Swivel: -90°/+90°, Front panel rotation range: -180°/+180°
Surface	Powder coating
Color	Black, matte

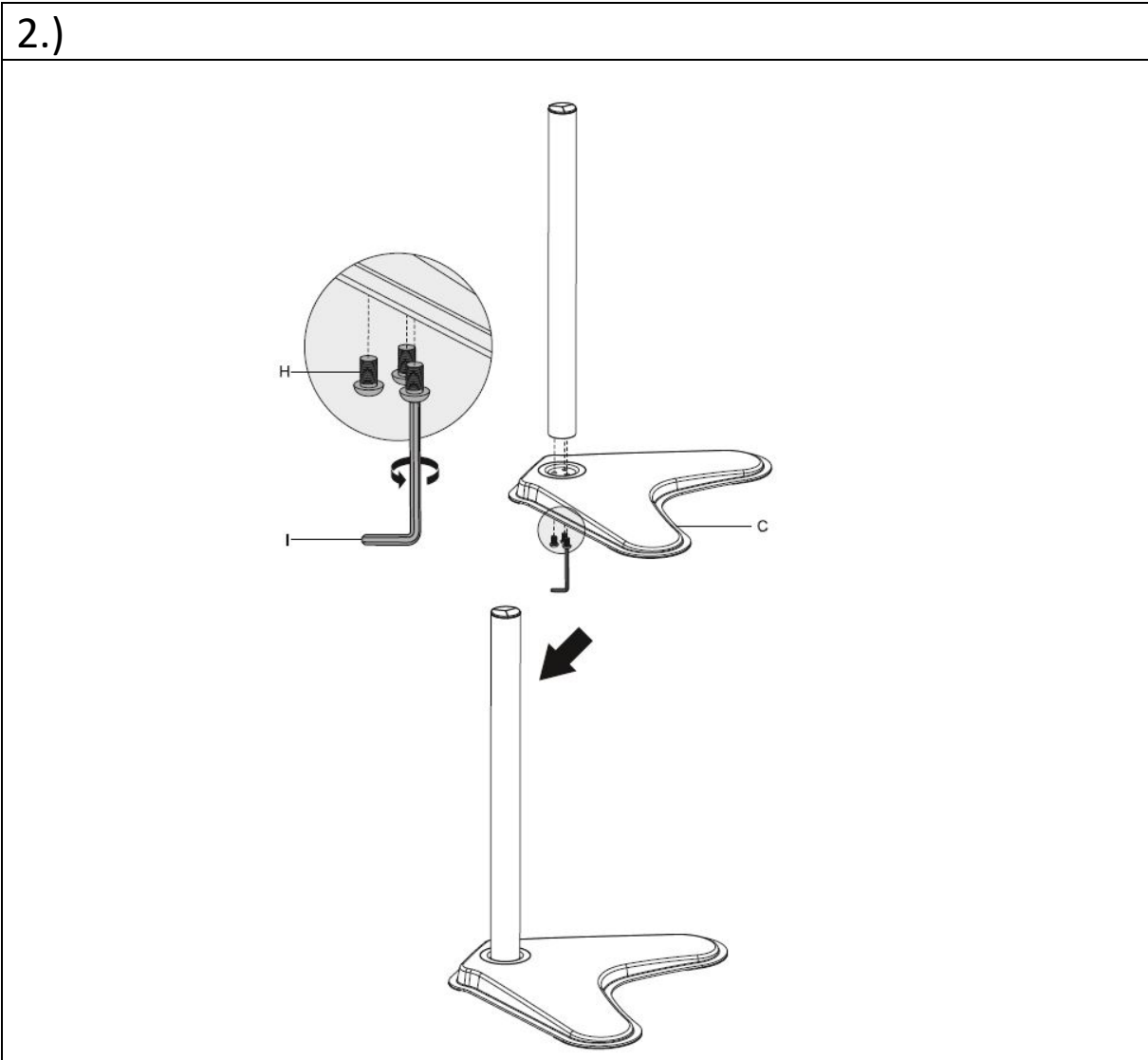
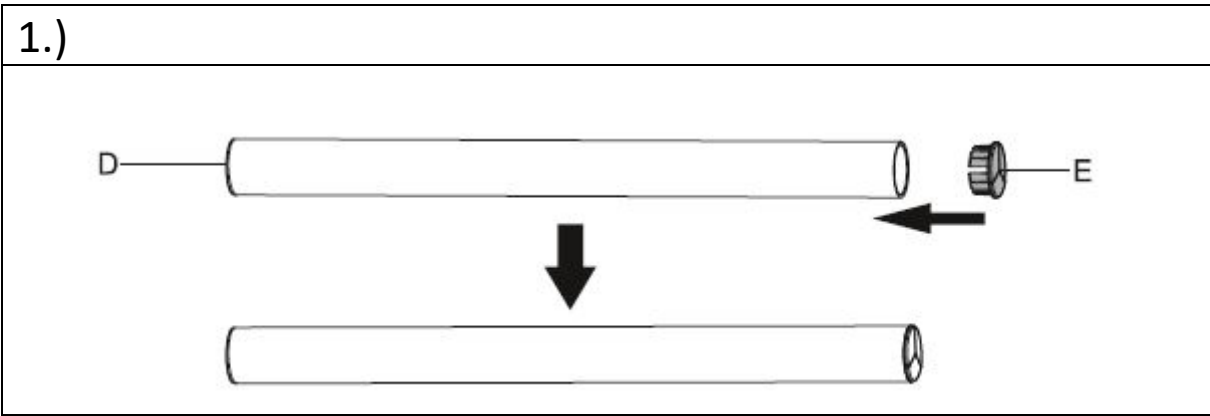
3. Package content

- 1 x Universal Monitor Stand
- 1 x Assembly instructions
- 1 x Mounting material:

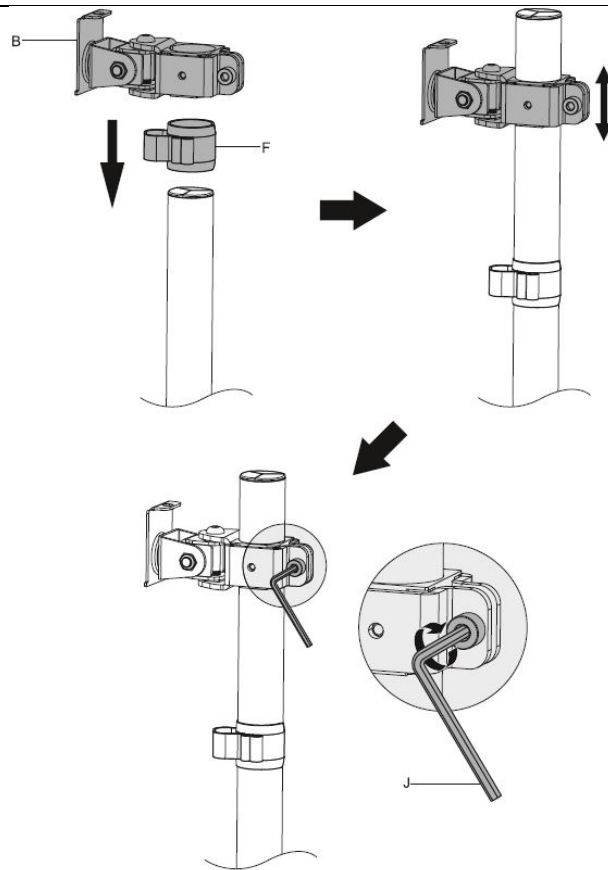
2 x A	
2 x B	
1 x C	
1 x D	
1 x E	
1 x F	
1 x G	
3 x H	
1 x I, 4 mm	
1 x J, 6 mm	

M4 x 12 (x 4), M-A	
M4 x 16 (x 4), M-B	
M5 x 12 (x 4), M-C	
M5 x 16 (x 4), M-D	
D5 (x 4), M-E	
M-F (x 4)	

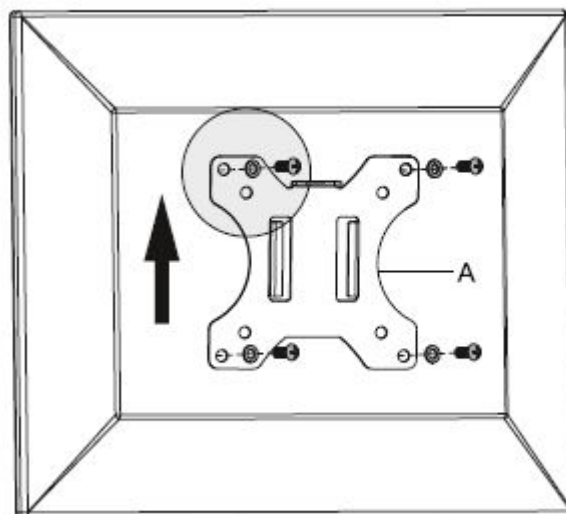
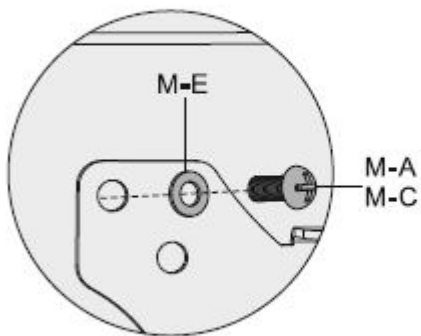
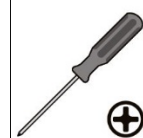
4. Mounting Instruction



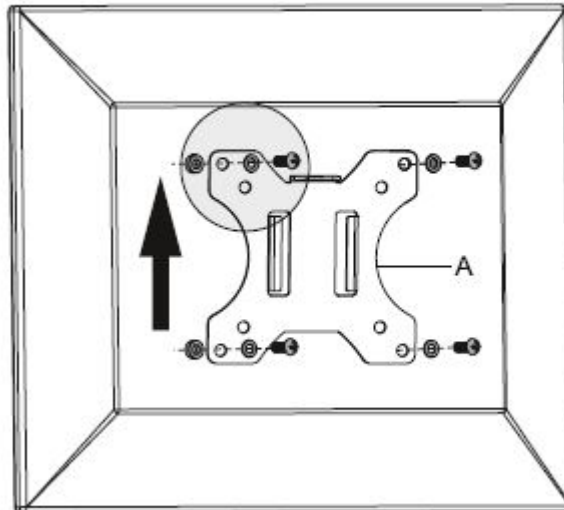
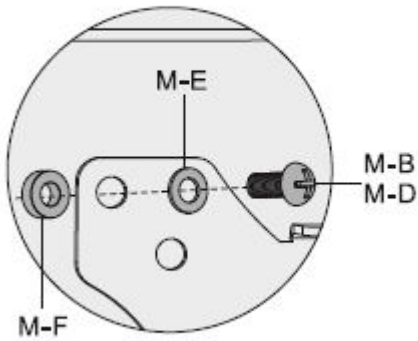
3.)



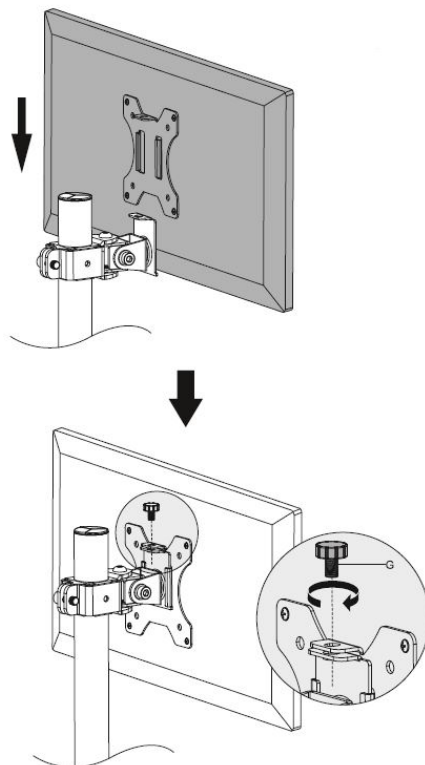
4.a)



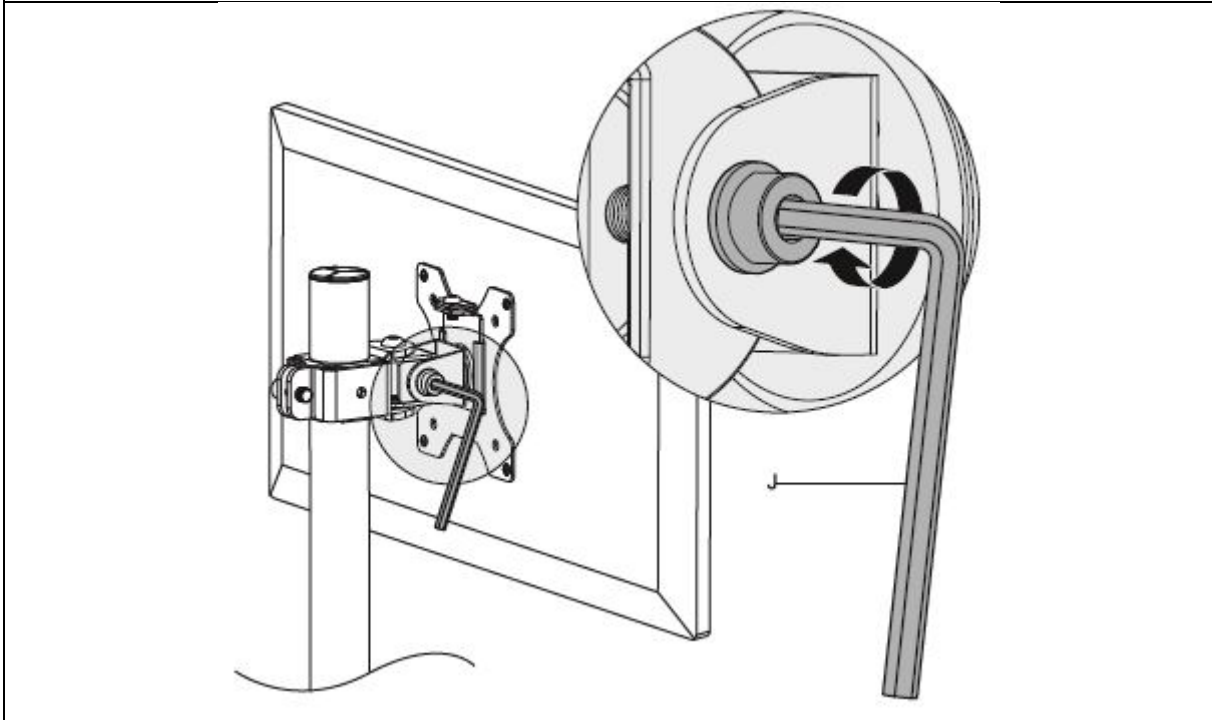
4.b)



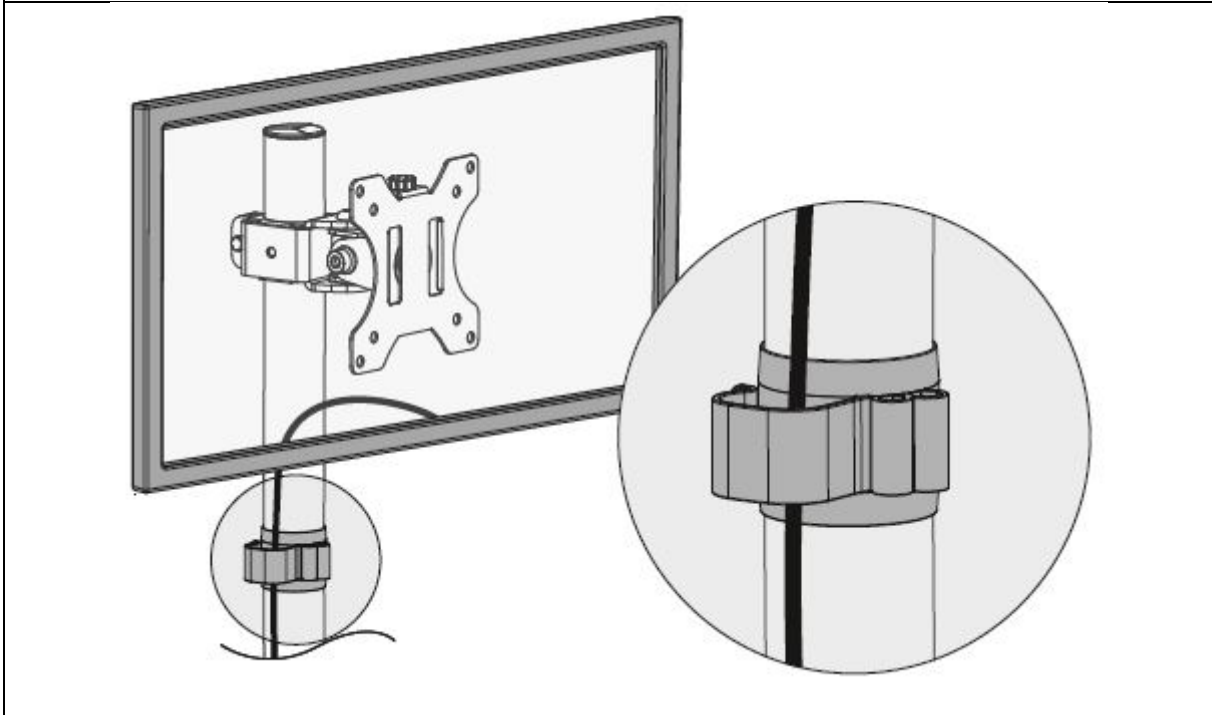
5.)



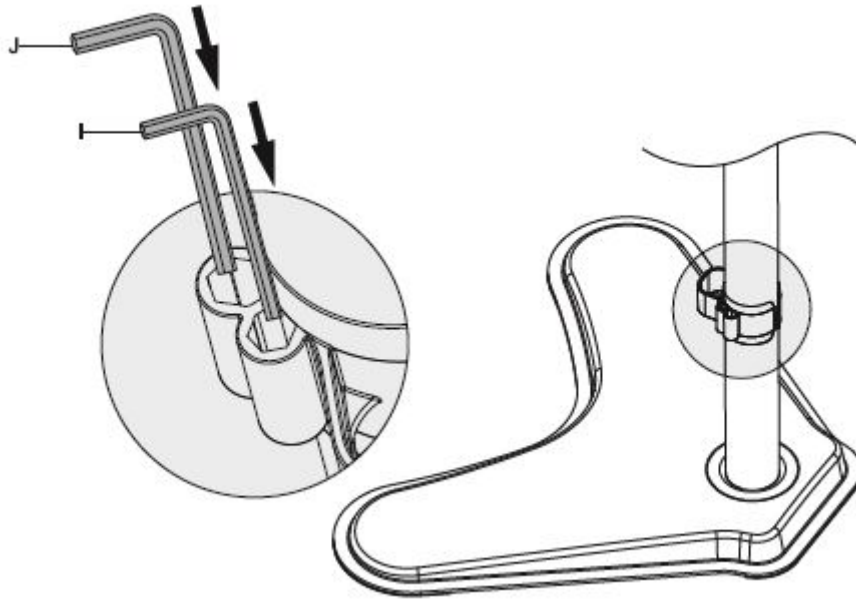
6.)



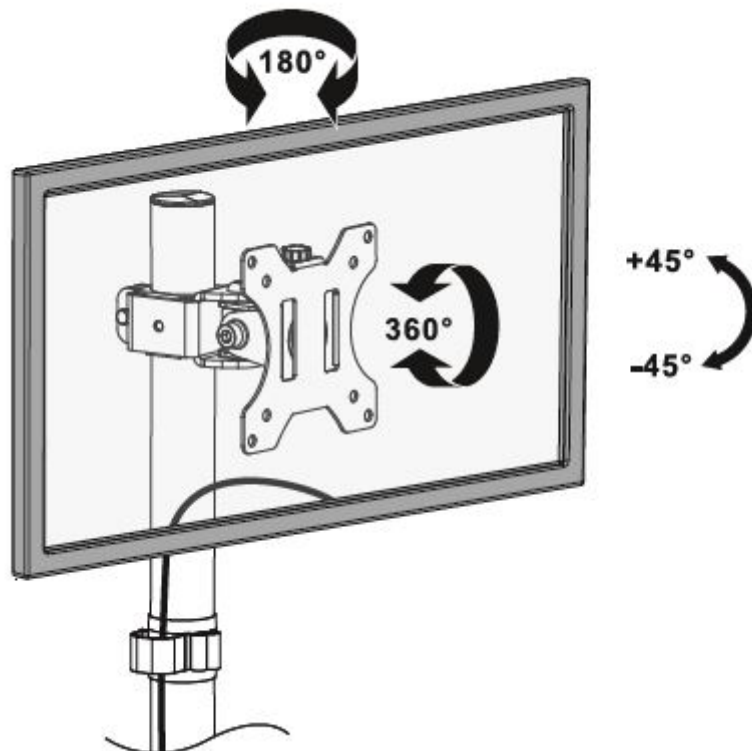
7.)



8.)



9.)



www.assmann.com

Assmann Electronic GmbH
Auf dem Schüffel 3
58513 Lüdenscheid,
Germany

