



Universal monitor mount with notebook holder



Quick Installation Guide

DA-90436

Table of contents

1. Introduction	2
2. Technical Features.....	2
3. Package content	3
4. Mounting Instruction.....	5

1. Introduction

The desktop mount allows you to arrange one monitor up to 32" / 9 kg as well as one notebook up to 15.6" / 4 kg in an individual, space-saving and ergonomic manner. The VESA bracket supports: 75 x 75, 100 x 100 mounts. The bracket offers two mounting options: both table clamp and pass-through rod. Thanks to the quick-release function, the VESA plate can be fixed/released by means of a screw during mounting and dismounting the integrated cable management ensures a tidy workplace.


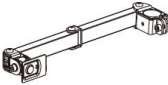



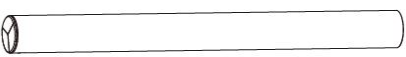
2. Technical Features












Description	Universal monitor mount with notebook holder
Suitable for	(Curved) monitors up to 32" / 9 kg max., notebooks up to 15.6" / 4 kg max.
VESA compatibility	75 x 75, 100 x 100, VESA plate can be fixed/released by means of a screw during mounting and dismounting



Mounting options	2, both table clamp and pass-through rod are included in the scope of delivery
Material	Steel, plastic
Number of monitors	1
Number of notebooks	1
Monitor mount	Tilt: $-45^{\circ}/+45^{\circ}$, Swivel: $-90^{\circ}/+90^{\circ}$, Front panel rotation range: $-180^{\circ}/+180^{\circ}$
Surface	Powder coating
Color	Black, matte
Weight	4,75 kg

3. Package content

- 1 x Universal Monitor Stand
- 1 x Assembly instructions
- 1 x Mounting material:

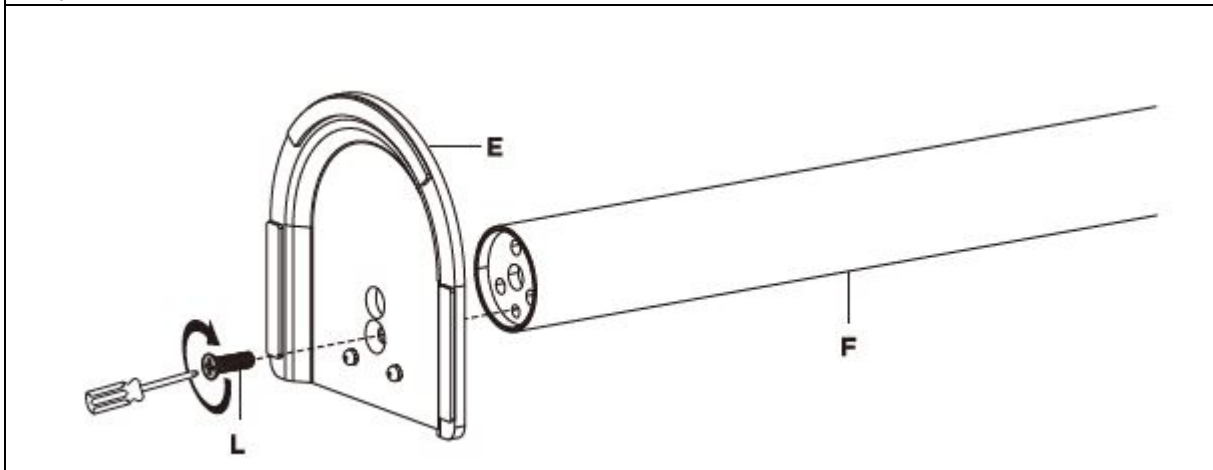
2 x A	
2 x B	
1 x C	
1 x D	
1 x E	
1 x F	

1 x G	
2 x H	
2 x I	
1 x J	
4 x K	
1 x L	
1 x M	
4 x N	
4 x O	
1 x P	
1 x Q	

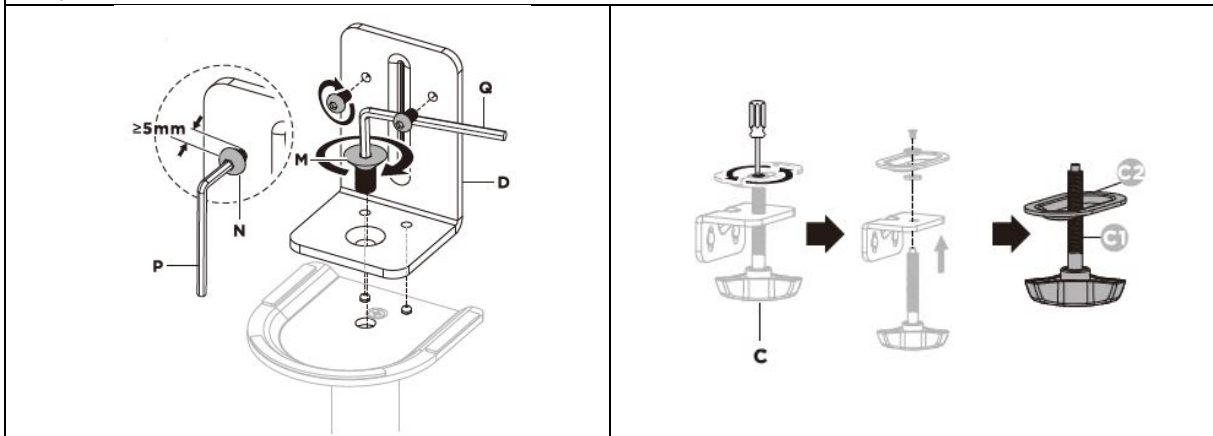
4 x M-A (M4 x 12)	
4 x M-B (M5 x 12)	
4 x M-C (D5)	

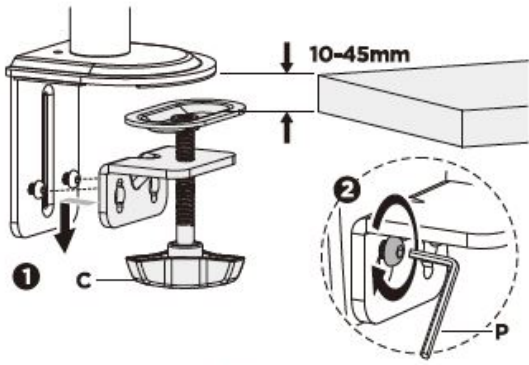
4. Mounting Instruction

1.)

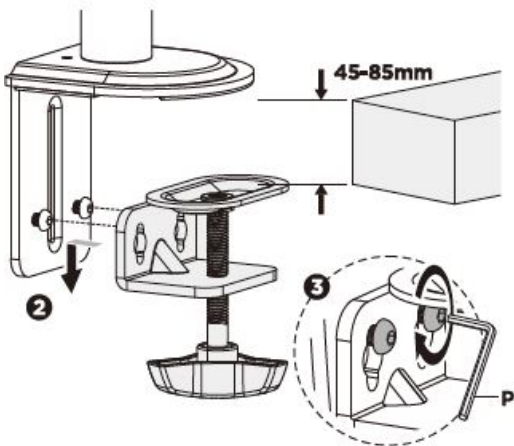
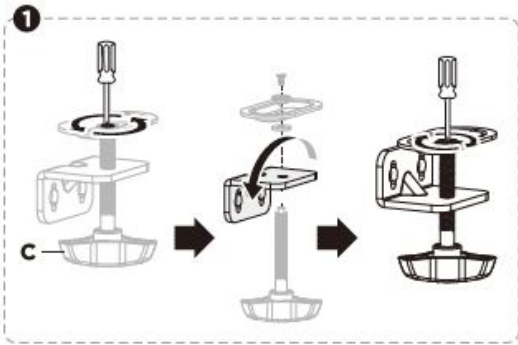


2.)

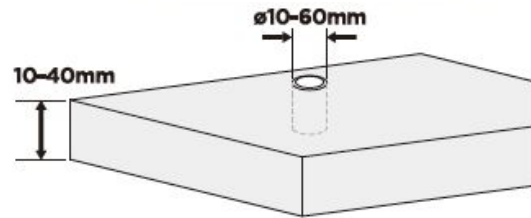




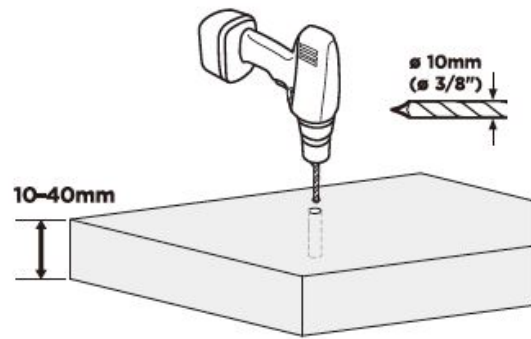
OR

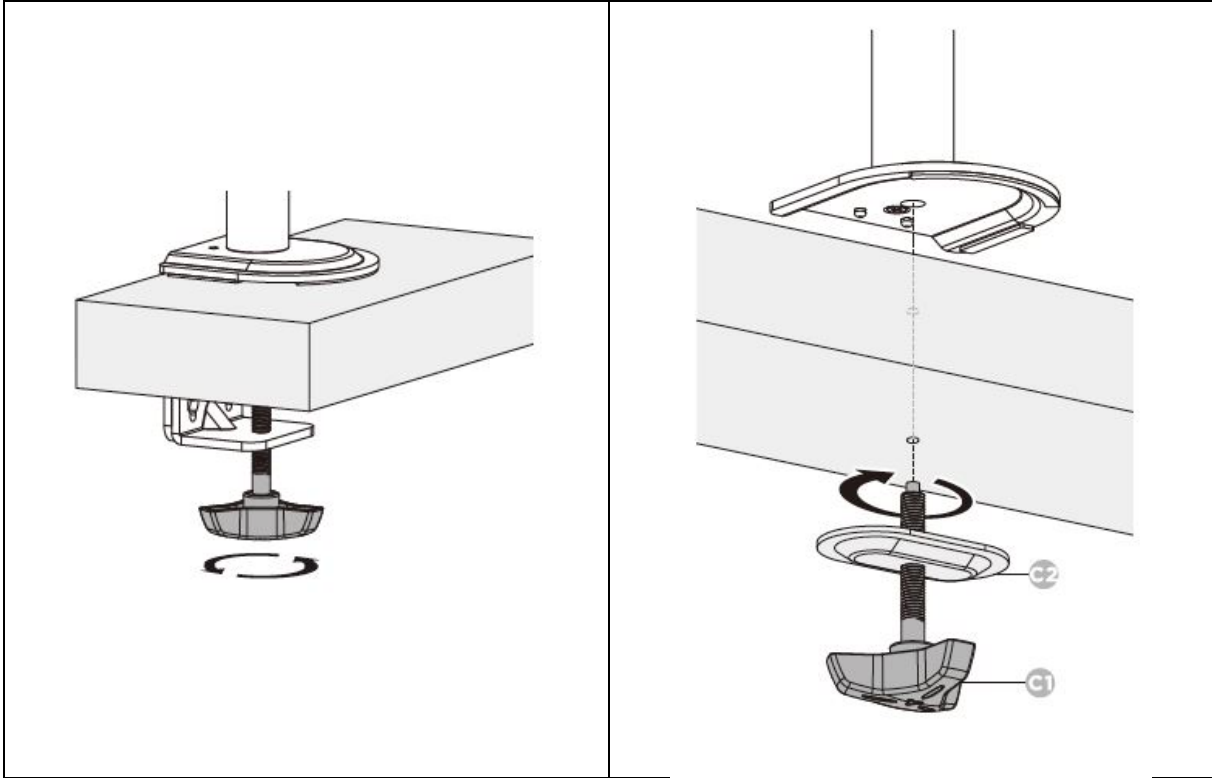


Desktop with Existing Through-Hole

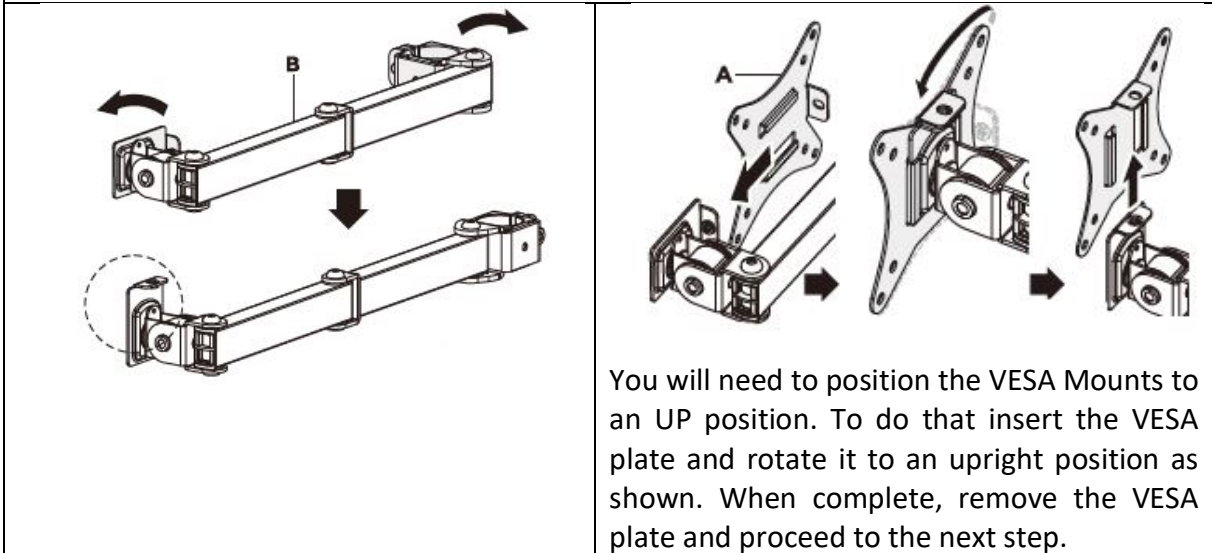


OR

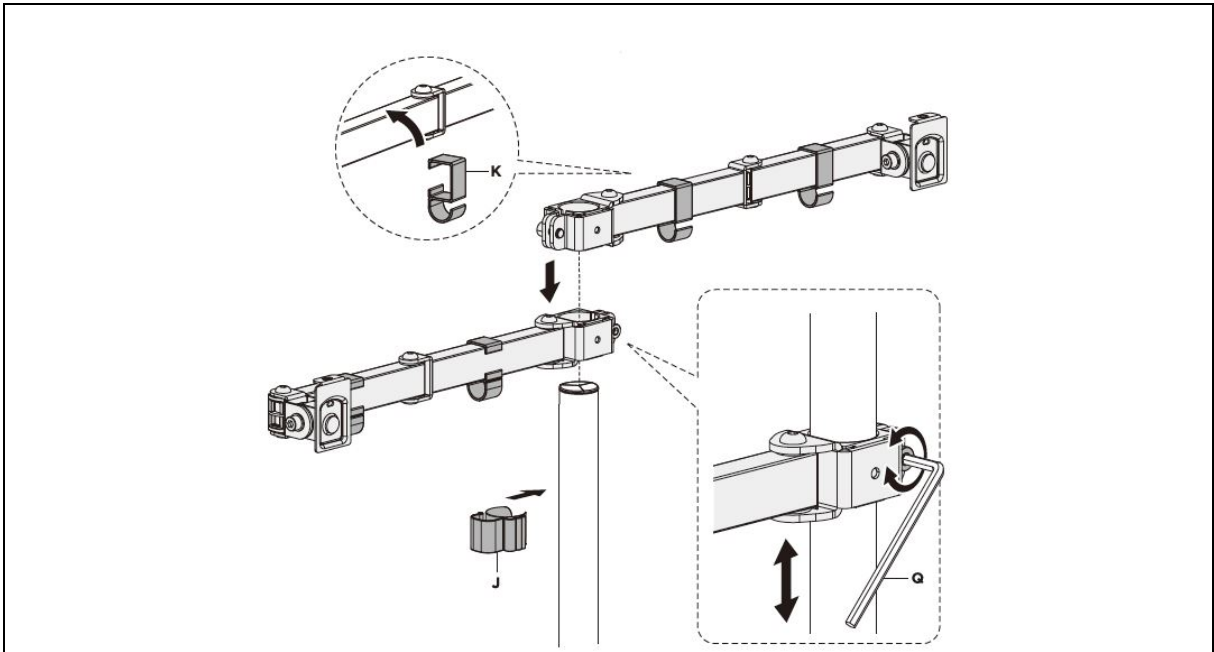




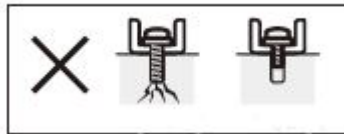
3.)



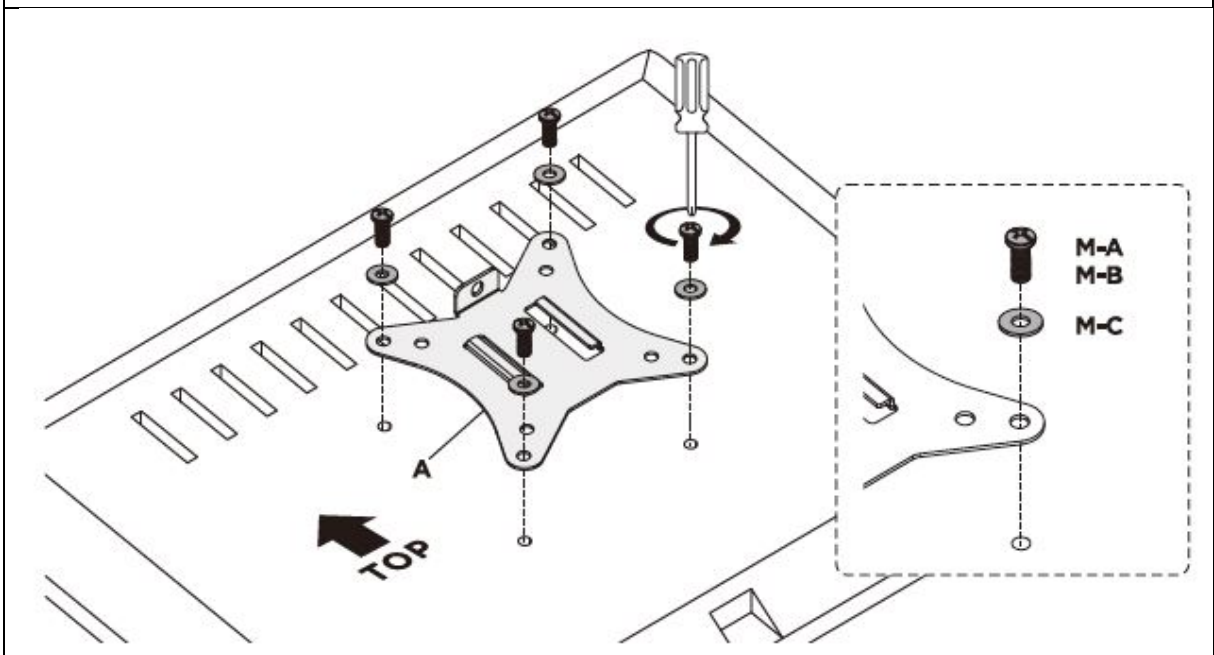
You will need to position the VESA Mounts to an UP position. To do that insert the VESA plate and rotate it to an upright position as shown. When complete, remove the VESA plate and proceed to the next step.



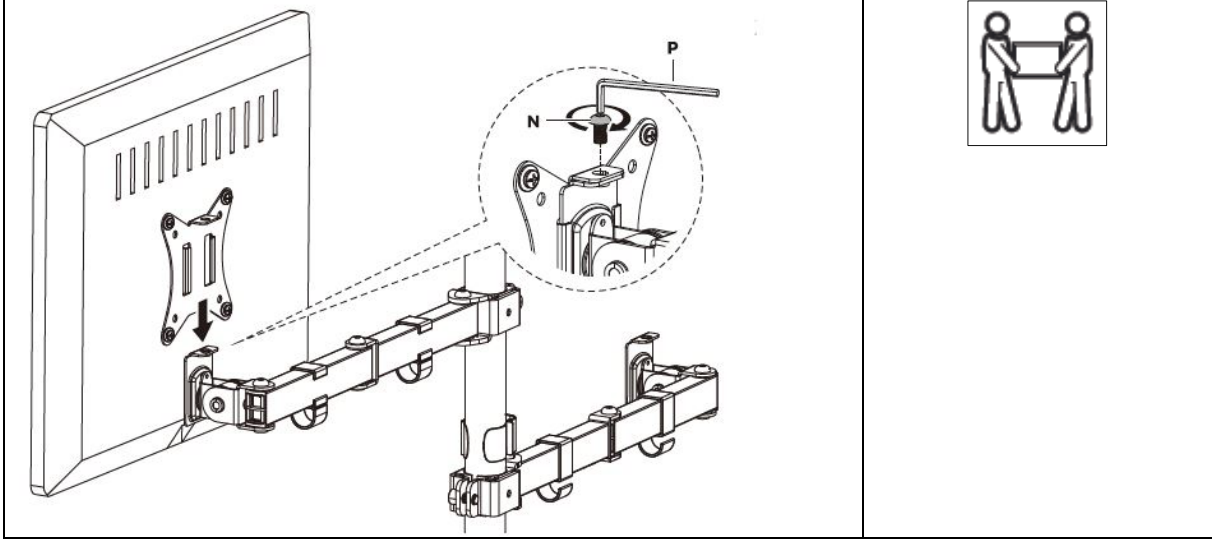
4.)



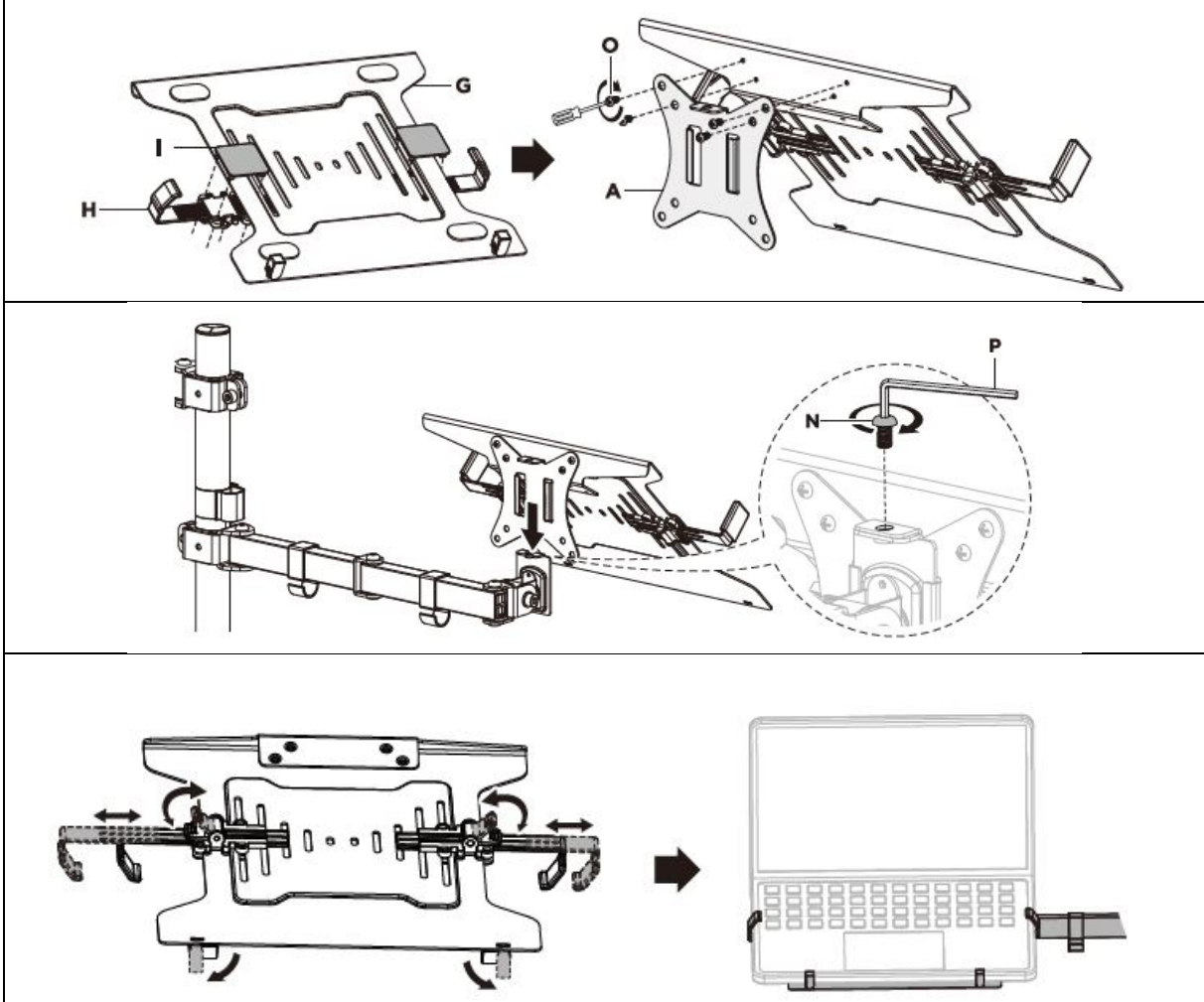
Too long Too short



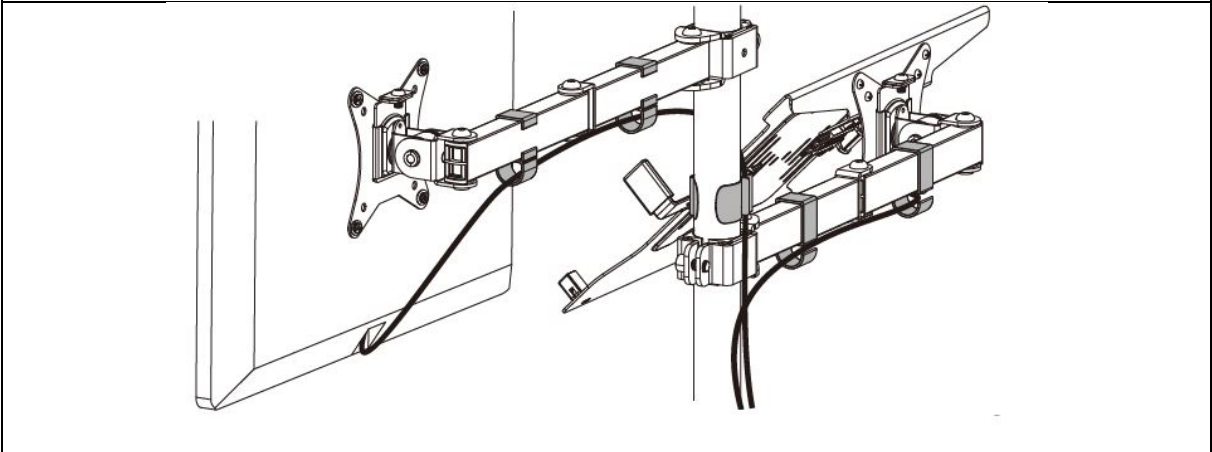
5.)



6.)



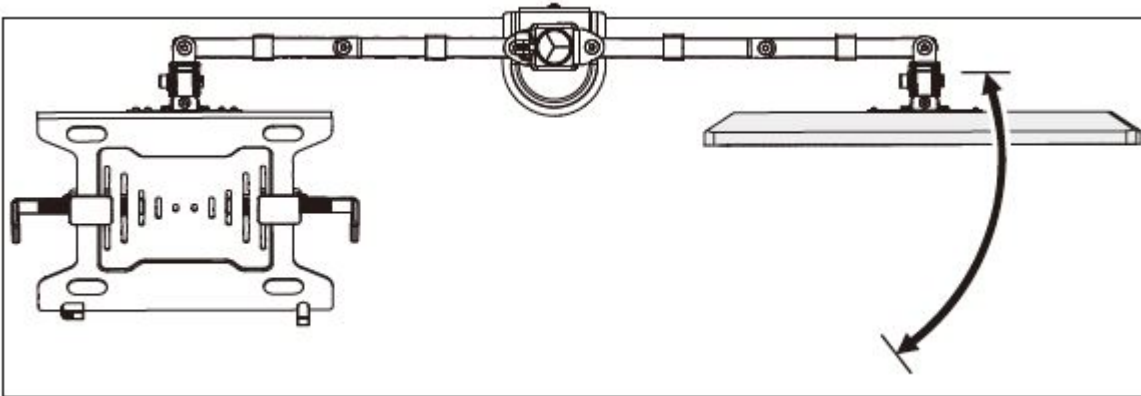
7.)



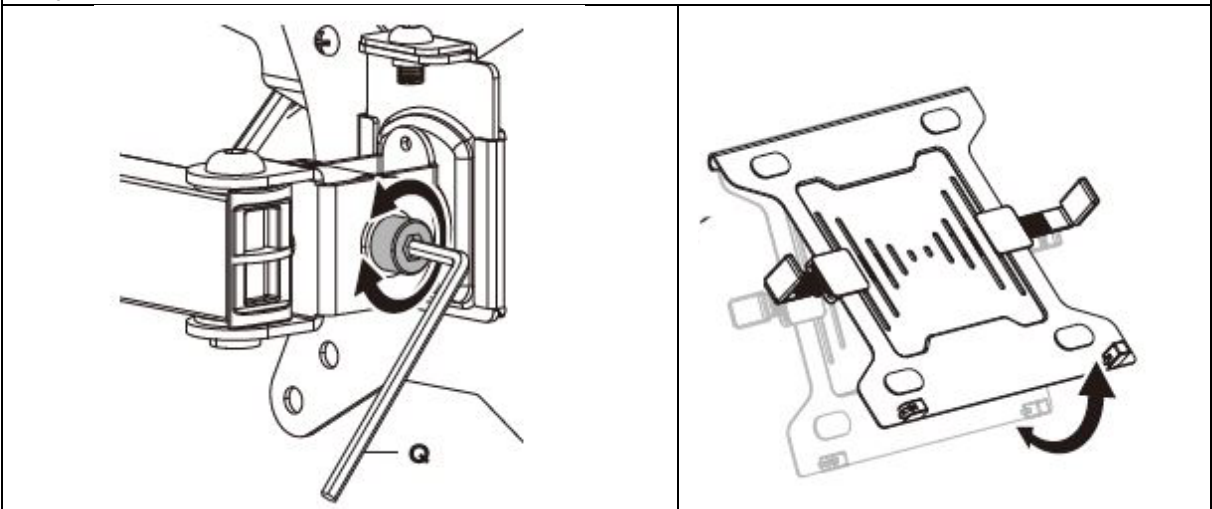
8.)

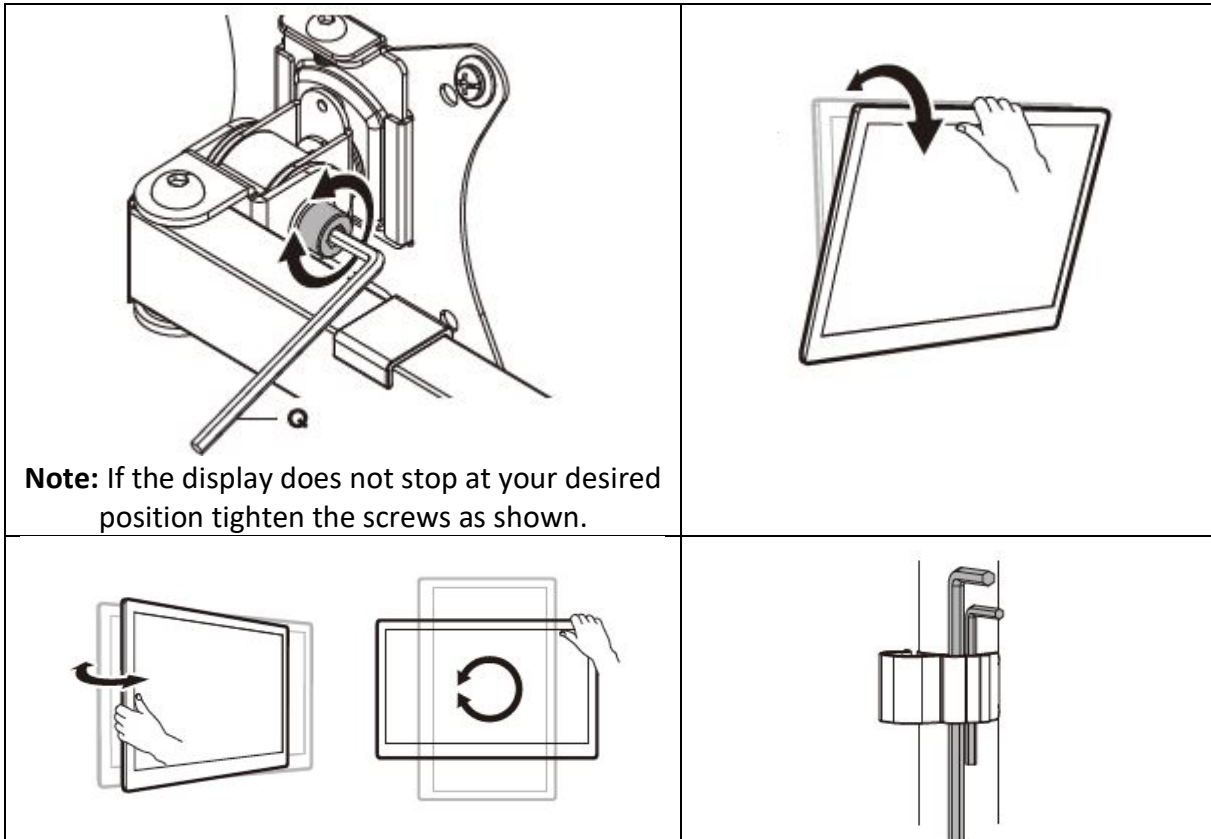


CAUTION: DO NOT use the display beyond the arrow range avoid tipping.



9.)





www.assmann.com

Assmann Electronic GmbH
 Auf dem Schüffel 3
 58513 Lüdenscheid,
 Germany

