



Electrically Height-Adjustable Desk Frame



Frame Assembling and Display Manual

DA-90433 / DA-90434 / DA-90435

1. Overview	2
2. Technical Features	2
3. Package content	4
4. Component list	4
Step 1: Install the supporting beam and the side bracket:	6
Step 2: Install the lifting column:.....	6
Step 3: Install the feet:.....	7
Step 4: Install the adapter arm:.....	7
Step 5: Install the tabletop, handset, control box and adapter:	8
Step 6: Connect cables to the control box:	8
5. Operating unit	9
Product Outline.....	9
Product Specification.....	9
Operating Instructions.....	10
6. Important Safety & Usage Instructions	11
Waste Disposal	13

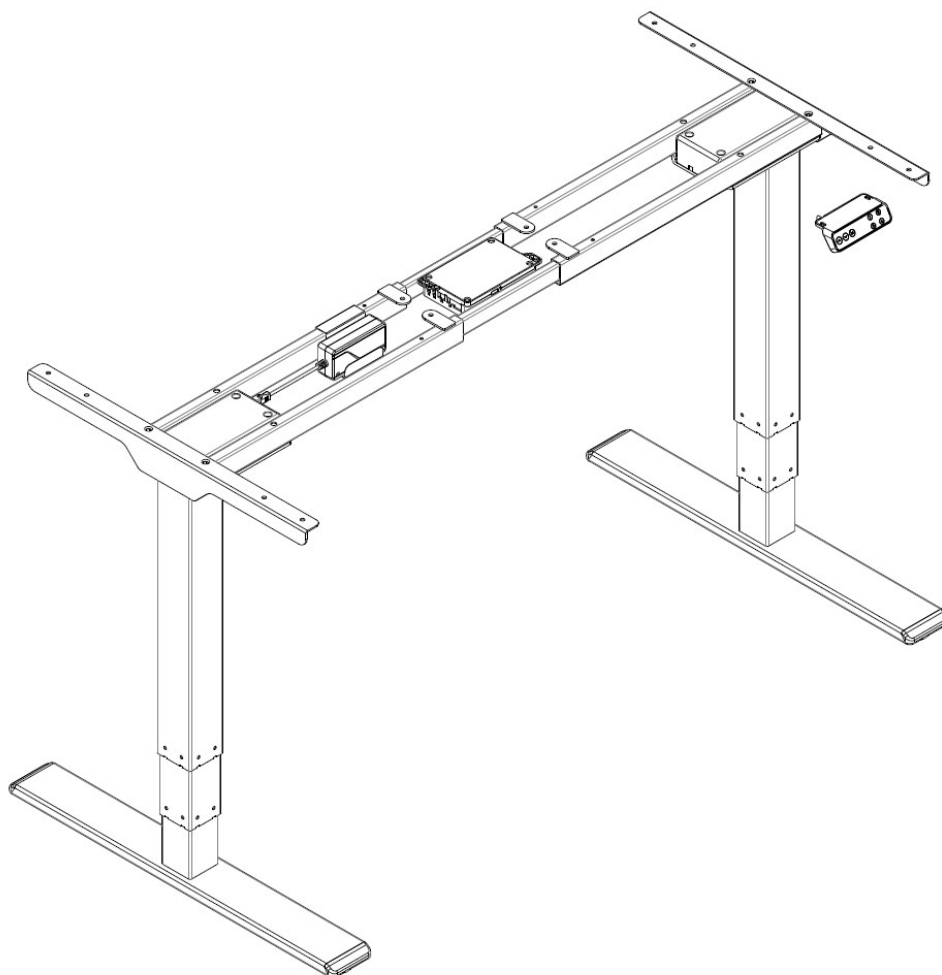
1. Overview

With this electric height-adjustable table frame you can easily convert your desk into an ergonomic sit/stand workstation. Save the cost and hassle of finding a height-adjustable desktop and just use the DIGITUS® electrically height-adjustable table frame instead. This set is suitable for all tabletops between 110 and 200 cm in width and 60 to 100 cm in depth. 4 different heights can be programmed and saved using the touch display. The frame allows height adjustment from 62-127 cm. The lifting speed is 35 mm/sec. The anti-collision function automatically stops the table when hitting obstacles during up and down movement. The anti-collision function can be set to 3 different sensitivity levels. The frame can lift a maximum load of 100 kg and is equipped with a display lock / child lock for the control panel. Improve your health and prevent postural damage and impairments of the musculoskeletal system!

2. Technical Features

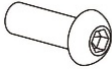
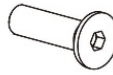





Maximum load capacity	Up to 100kg
Convenient electrical height adjustment (without tabletop)	62-127 cm

Weight	28,3 kg
Color	DA-90433: White DA-90434: Black DA-90435: Grey
Power supply letter	Euro, plug (type C, CEE 7/16) – C7, device socket, length: 3 m
Shape	Rectangular
Column Stage	3
Height Range	620-1270 mm (without tabletop)
Width Range	1100-1700



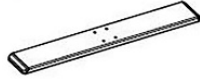
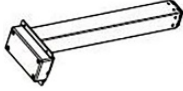



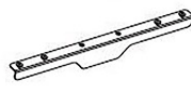
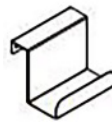
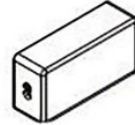
3. Package content





- Electrically Height-Adjustable Table Frame
- Manual
- Mounting material

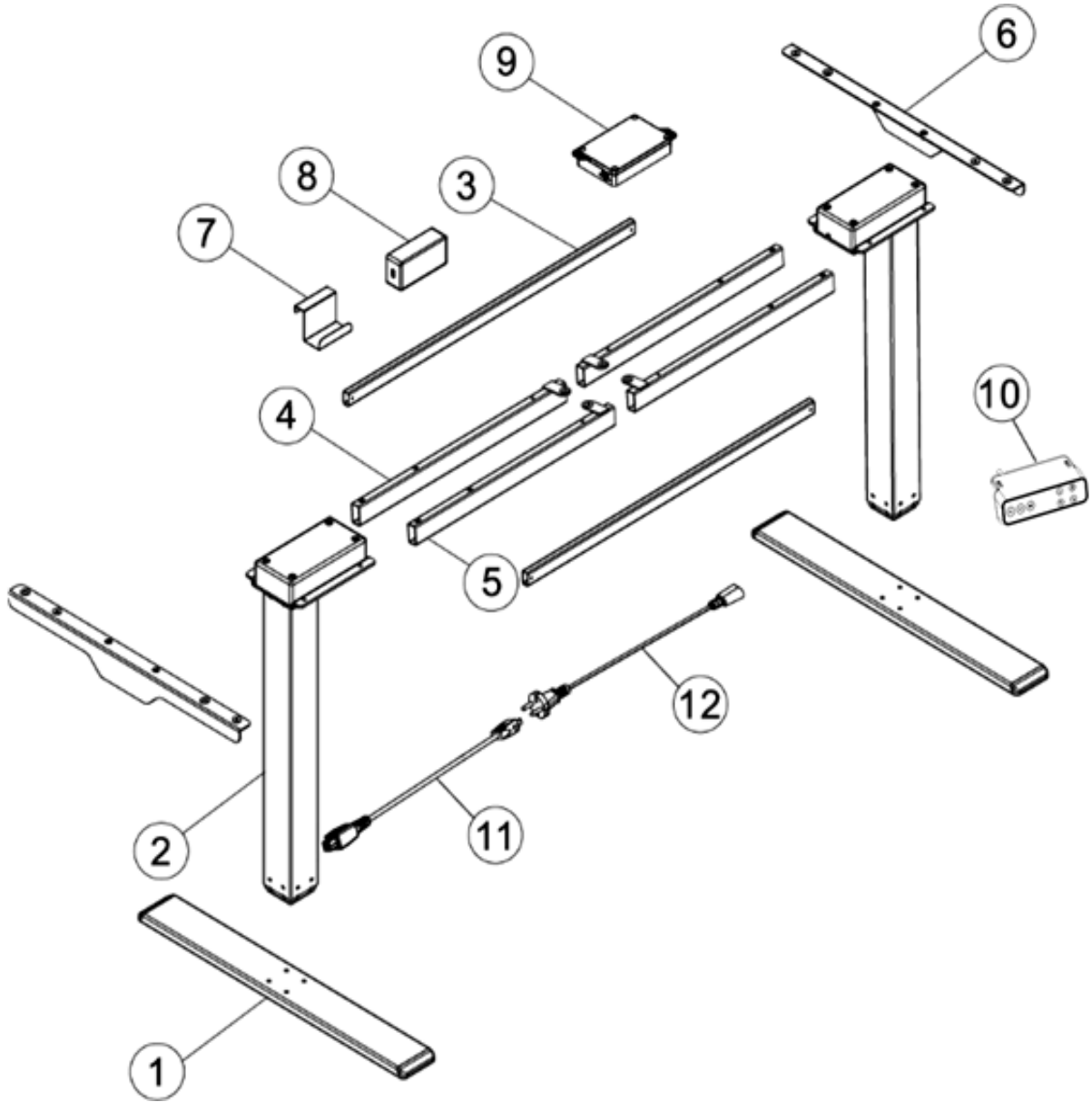
<p>A</p>  <p>4x M6</p>	<p>B</p>  <p>8x M6</p>	<p>C</p>  <p>8x M6</p>
<p>D</p>  <p>6x St 4.2</p>	<p>E</p>  <p>6x Cable tie</p>	<p>F</p>  <p>16x St 4.2</p>
<p>G</p>  <p>1x Allen Key 4 x 4 mm</p>		

Attention: The drawings are for guidance only and they may differ slightly from the product and fittings received. Please contact our customer service department if you have any questions.

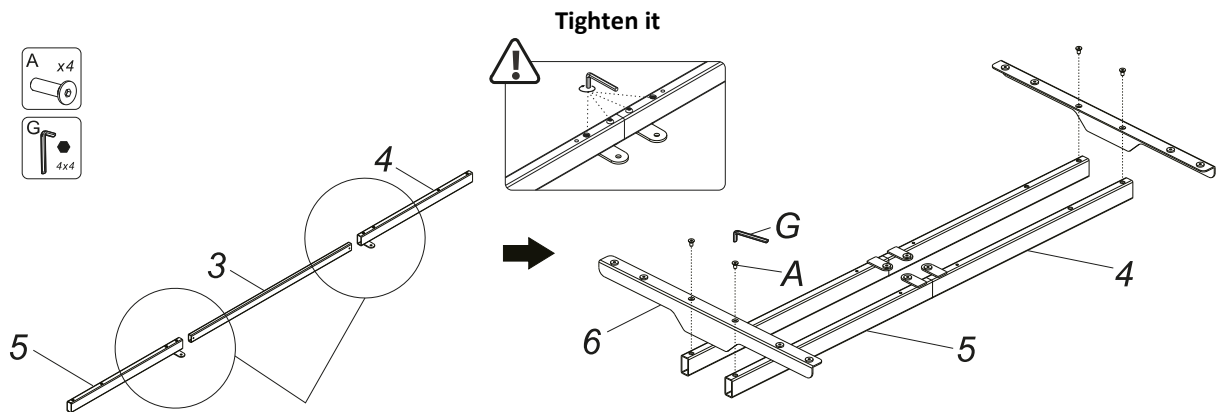
4. Component list

<p>(1)</p>  <p>2x Feet</p>	<p>(2)</p>  <p>2x Lifting Column</p>
<p>(3)</p>  <p>2x Connection rod</p>	<p>(4)</p>  <p>2x Left Supporting Beam</p>
<p>(5)</p>  <p>2x Right Supporting Beam</p>	<p>(6)</p>  <p>2x Side bracket</p>
<p>(7)</p>  <p>1x Adapter arm</p>	<p>(8)</p>  <p>1x Adapter</p>

<p>(9)</p>  <p>1x Control Box</p>	<p>(10)</p>  <p>1x Handset</p>
<p>(11)</p>  <p>1x Adapter cable</p>	<p>(12)</p>  <p>1x Power plug</p>

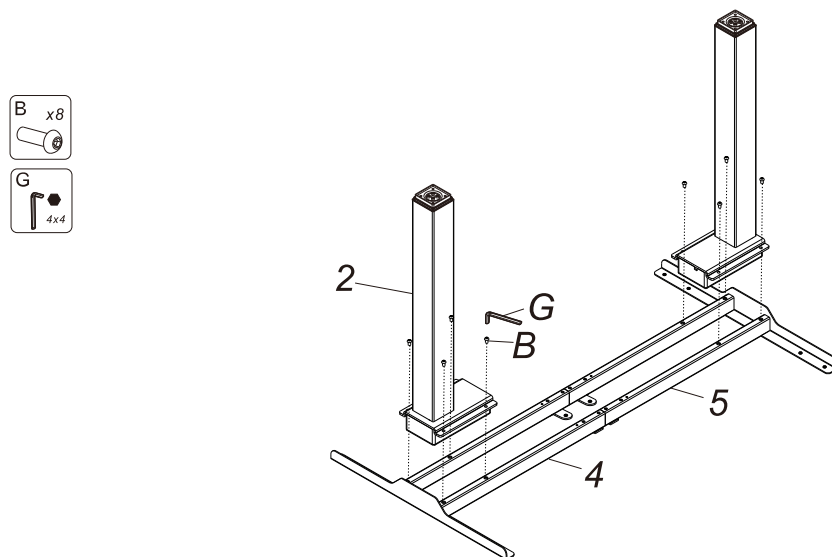


Step 1: Install the supporting beam and the side bracket:



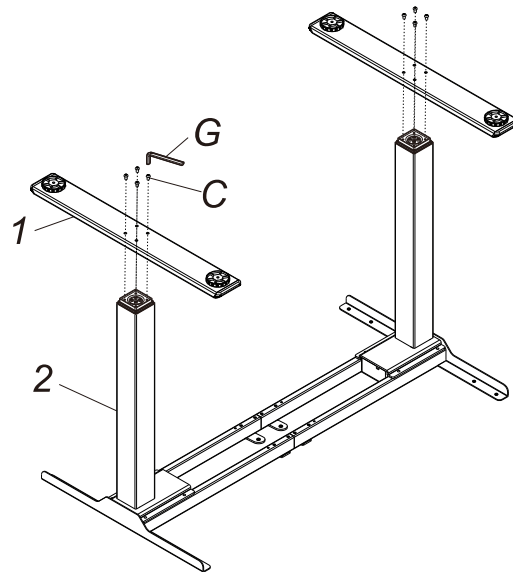
- If the connecting rod cannot be inserted into the supporting beam, please loosen the screws on the beam
- Using screws (A) to connect to the connection rod (3) with the left supporting beam (4) and the right supporting beam (5), and tighten them with the allen key (G)
- Using screws (A) to connect the side bracket (6) with the left supporting beam, (4) and right supporting beam (5), and tighten with the allen key (G)

Step 2: Install the lifting column:



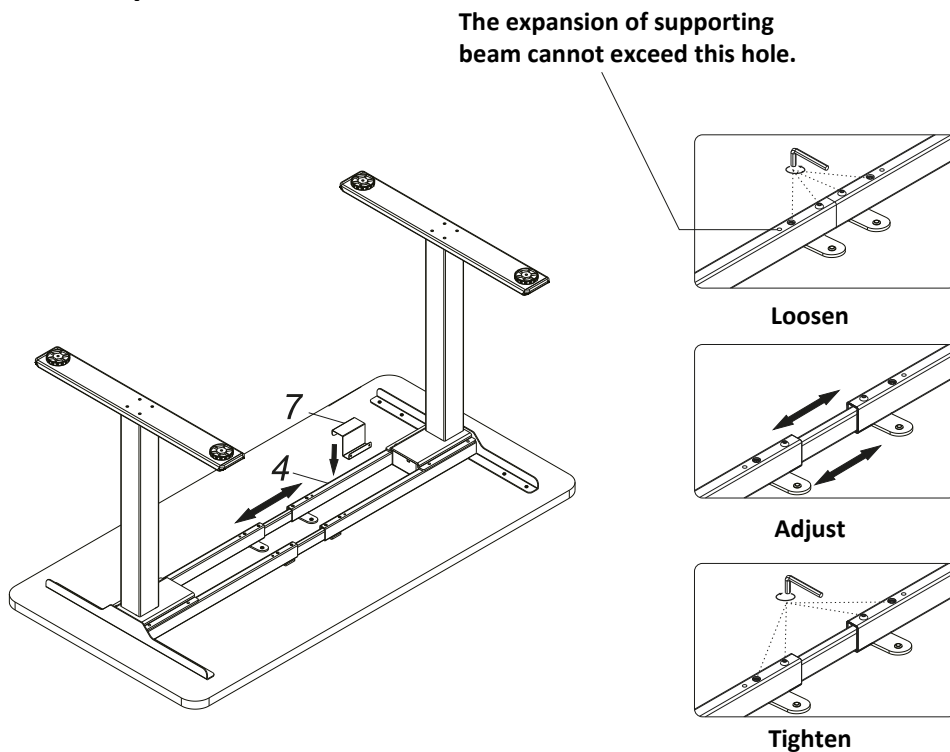
- Using screws (B) to connect the lifting column (2) with the left supporting beam (4) and the right supporting beam (5), and tighten them with the allen key (G)

Step 3: Install the feet:



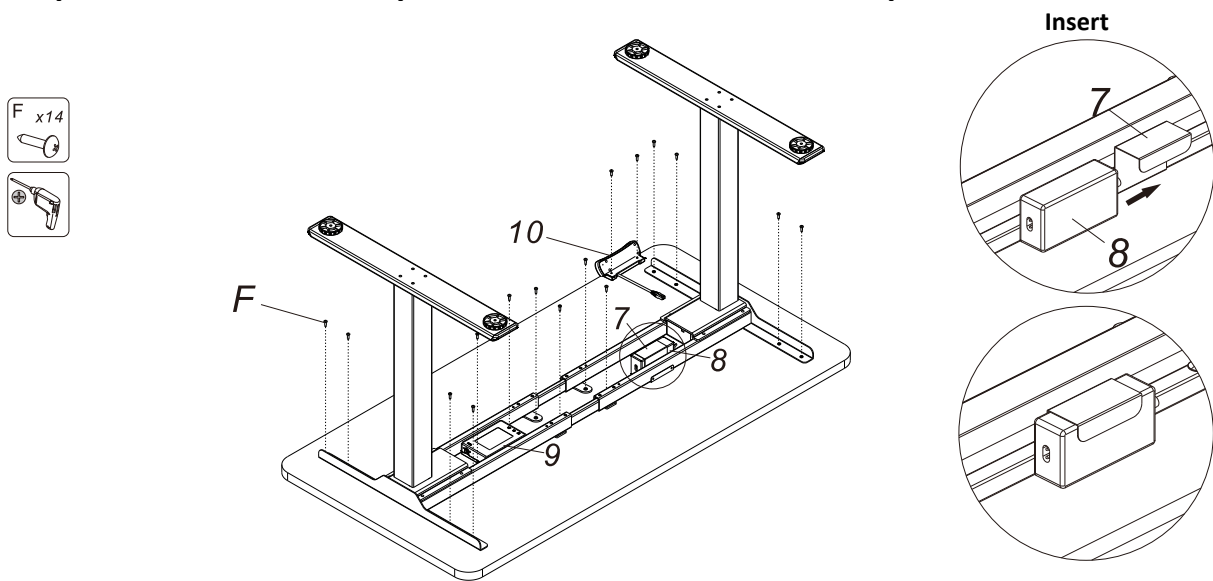
- Connect the feet (1) and the lifting column (2) with screws (C) and tighten them with the allen key (G)

Step 4: Install the adapter arm:



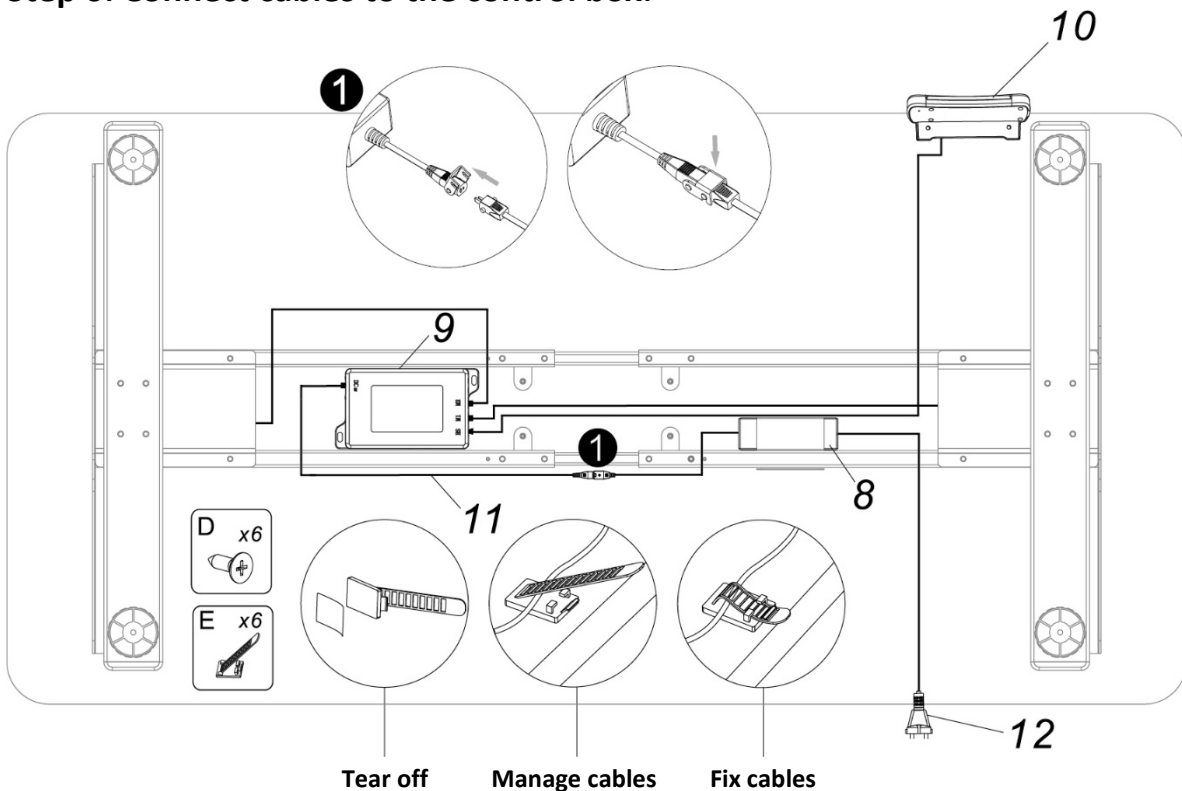
- The expansion distance of the supporting beam can be adjusted according to the actual use.
- Buckle the adapter arm (7) into the left supporting beam before open the tabletop (4).

Step 5: Install the tabletop, handset, control box and adapter:

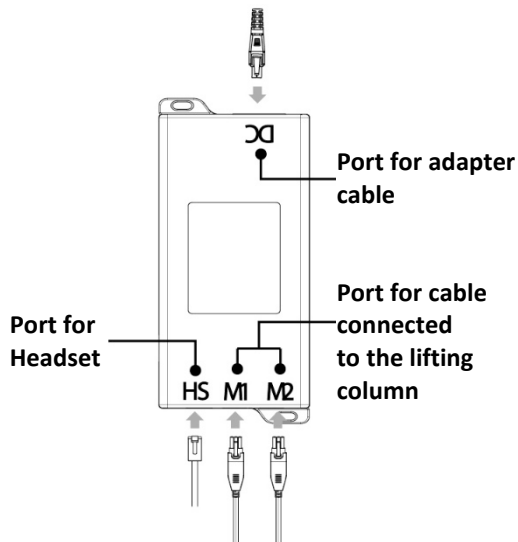


- Fix the tabletop with screws (F), and then to fix the control box (9) on the tabletop with screws (F). The handset (10) is fixed on the tabletop with self-owned screw and insert the adapter into the adapter arm.

Step 6: Connect cables to the control box:

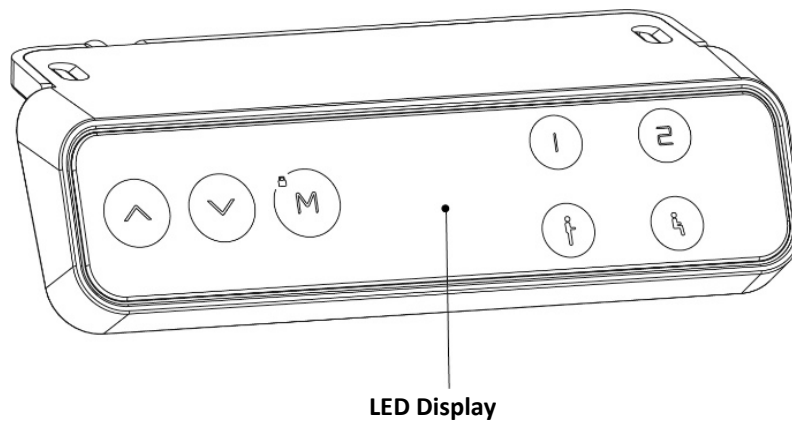


- Fix the cables to the tabletop with cable management (E), and then use screw (D) to fix the cable management (E) to keep the desk cables organized.



5. Operating unit

Product Outline



Product Specification

Button introduction:

There are seven buttons that "▲", "▼", "1", "2", "↑", "↓", "M"

- (1) "▲": Adjust the desk upwards
- (2) "▼": Adjust the desk downwards
- (3) "1": Position 1, first height position saved by the user
- (4) "2": Position 2, second height position saved by the user
- (5) "↑": the display shows "3", which means the position of the standing height the user saved.
- (6) "↓": the display shows "4", which means the position of the standing height the user saved.
- (7) "M": Height saving button, for height memory function;
Child lock: for security

Operating Instructions

- Child/Key lock function:
 - a. When the child lock is turned on, the child lock blue indicator light (☞ and M directly above) lights up
 - b. Press the button indicator to flash once
 - c. To unlock or activate the child lock, you need to press and hold the M button for about 5 seconds.
 - d. Only when the child lock is unlocked, all the buttons can work normally.
- Height Adjustable Function:

Press the "▲" or "▼" button to adjust the height.
The LED display shows the current height.
- Height Memory Function:
 - a. Press UP or DOWN button and adjust the height to the desired height. Press "M" to save the height, and the screen will display "5-";
Press "1", "2", or "↑", "↓" then, that is, save the height to the corresponding position 1 or 2 3, or 4, which will show in the display screen as "5-1", "5-2", or "5-3", or "5-4";
 - b. Press "1", "2" and "↑", "↓" button directly to automatically adjust the memory height you saved.
- Anti-collision sensitivity adjustment - optional features:
 - a. Press and hold the "▲" "▼" button for 5 seconds at the same time to switch the sensitivity. Switch one file for 1 time and divide it into 4 files (A-3, A-2, A-1, A-0);
 - b. The display shows "A-0", the anti-collision function is off; the display shows "A-1", low sensitivity; Display shows "A-2", medium sensitivity; display shows "A-3", high sensitivity;
 - c. During height adjustment, when tabletop comes in contact with another object, it instantly stops and reverses to avoid damage.
 - d. Press and hold the "▲" "▼" button for 5 seconds at the same time.
If the display does not display the above code, there is no anti-collision function.

- Troubleshooting:
 - a. Reset the system: When the LED shows " R5f " or " r5t ", press " ▼ " button and hold it until the desk reaches its lowest height and rebounds (drives up a bit) - then stops and show the current height, it means the reset has been successfully finished.
 - b. When it doesn't work and the LED shows "E01" or "E02", please retry 18 mins later.
 - c. If the display unit shows an error message, but there is no response during pressing " ▼ " button, please check the cable connections and then cut off the power for at least 10 seconds. Reconnect to the power and then press " ▼ " button again to start the reset process when it shows the " R5f " or " r5t ".
 - d. If the display unit didn't show " R5f " or " r5t ", please press "M" + " † " simultaneously for 3-5 seconds. You will hear two beeps (beep, beep), then the system is ready to press " ▼ " to start the reset process.
 - e. If all these above processes are inefficient, please contact our customer service.

6. Important Safety & Usage Instructions

- This appliance can be used by children aged from 8 years and above and persons with reduced physic, sensory or metal capabilities or lack of experience and knowledge if they have been given supervision or instruction concerning use of the appliance in a safe way and understand the hazards involved
- Persons with reduced physical, mental abilities and or lack of experience and knowledge must not use the product, unless they're under supervision, understand the hazards involved or they have been thoroughly instructed in the use of the apparatus by a person who is responsible for the safety of these persons
- Children are forbidden to play on the product because of unforeseen actions when playing, so any dangerous consequences caused by this improper action will not be manufacturers. Children are forbidden to play with the appliance at all.
- Be familiar with all functions and program settings of the product before first use
- Check carefully to ensure correct and complete assembly before using
- Cleaning and user maintenance shall not be made by children without supervision

- If the supply cord is damaged, it must be replaced by the manufacturer, its service agent, or a similarly qualified person in order to avoid a hazard
- Please make sure there is no hazard sources in your operating environment e.g., do not litter the tools around. Always be careful to treat the packaging materials to avoid any possible danger, e.g., plastic bag may lead to choking hazard to children
- Keep the original package of the equipment, if necessary, in case of the future use in transportation
- Power supply: AC 100 V – 240 V, 50 / 60 Hz
- Operating Temperature: 0 – 40°C
- Unplug the power plug before cleaning, wipe the dust off the surface with a slight wet dishcloth, be careful do not let the drops into the internal parts and do not lose the connector
- The electric box contains electronic components, metals plastics, wires etc., so dispose of it in accordance with each countries environmental legislation, not the general household waste
- Slight noise caused by the V-ribbed belt or brake system due to structure will not have any effect on the use of the equipment
- Corrosive or abrasive materials are forbidden to clean the equipment. Must ensure that the cleaner used will not pollute the environment
- This appliance shall only be used together with the included power supply unit. Every person who is responsible for this table at installation or employment of the table in daily use or in service and repair work should carefully read these instructions. Keep these instructions close to your sit/stand table
- The table shall only be used as a working table with the possibility to continuously adjust working height between sitting and standing position. The table shall only be used indoors and in dry premises (office environment or similar).
- The table must not be overloaded – maximum load is 100 kg
- The motors may be run continuously for maximum 2 minutes. Afterward, the motors must stand by for approx. 18 minutes before they can be used again
- Any failure to comply with the safety and installation instructions in this manual may cause serious bodily injury
- Users should make sure that they never sit on the desktop in order to prevent serious bodily injury
- Don't clean the product with water while the power is still connected
- Don't disassemble or replace components while the power is still connected
- Never operate the system with a damaged cord or plug

- Never operate the system if it's in moist environment or its electrical components have contact with liquid
- Don't operate the system if the control box makes noise or odor. Alterations of the given power unit and control box aren't allowed
- Clear up all obstacles within the height adjustment range
- Don't leave the cords or plug unorganized in order to prevent tripping hazards
- Any attempts to reconstruct the desk frame aren't allowed
- Don't add anything to the adjustable junctions of the desk frame.
- Outdoor use is prohibited
- When the table is run up/down, keep the necessary safety distance to avoid the risk to get squeezed between the moving table top and fixed objects in the surrounding area.
- When the table is run up/down the user shall keep watch so that nobody is injured or no object is damaged. The table top must not bump into a fixed object so that the table is overturned. Always remove any office chair before the table is run up/down
- Alterations to the control box are absolutely forbidden
- The table must not be used as a hoisting device for persons

Waste Disposal



This marking indicates that this product should not be disposed with other household wastes. To prevent possible harm to the environment or human health from uncontrolled waste disposal, recycle it responsibly to promote the sustainable reuse of material resources. To return your used device, please use the return and collection systems or contact the retailer where the product was purchased. They can take this product for environmental safe recycling.

Hereby Assmann Electronic GmbH, declares that the Declaration of Conformity is part of the shipping content. If the Declaration of Conformity is missing, you can request it by post under the below mentioned manufacturer address.

www.assmann.com

Assmann Electronic GmbH
Auf dem Schüffel 3
58513 Lüdenscheid, Germany

