



Electric Height-Adjustable Variable Stand / Sit Desk Frame



USER MANUAL

DA-90403 · DA-90404 · DA-90387

Rev. 1

Rated Voltage: 100-240v

Continuous Working 2 Minutes, rest at least 18 minutes.

CAUTION / INFORMATION

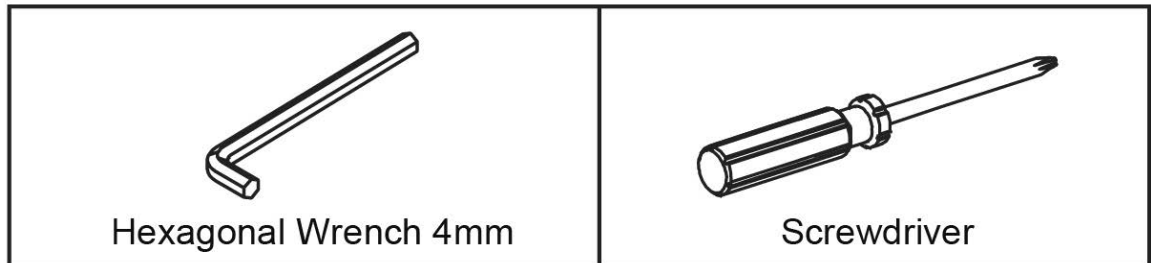
IMPORTANT: Please read this manual carefully

1. This height adjustable desk has electric motors and is designed for use in dry work areas only.
2. Make sure no obstacles are in the desk's path.
Make sure the desktop is not touching any walls.
Make sure all cords are appropriate length to accommodate the change in height.
3. Do not sit or stand on the desk frame.
Do not crawl or lie under the desk frame.
4. Do not place any objects taller than 20" underneath the desk.
5. Do not open any of the components – the legs, control box or switch.
6. Make sure that the power supply is between 110V and 240V before plugging the control box into it.
7. This product is designed with a duty cycle of 10% (2 min. on, 18 min. off).
8. Under no circumstances does the manufacturer accept warranty claims or liability claims for damages caused from improper use or handling of the desk frame.

Tools Required

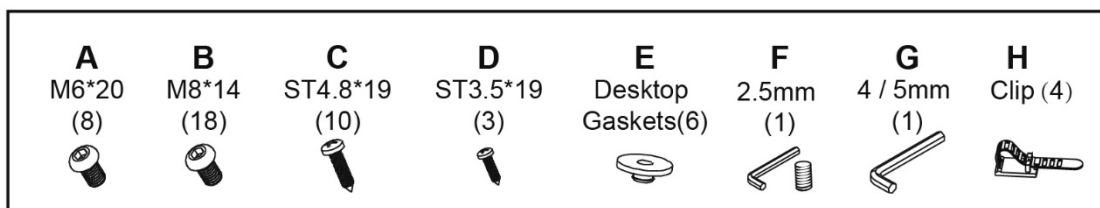
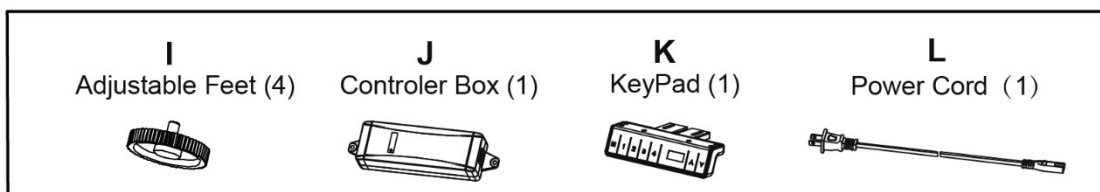
Hexagonal Wrench 2.5mm, 4mm, 5mm

Screwdriver (Prepared Yourself)



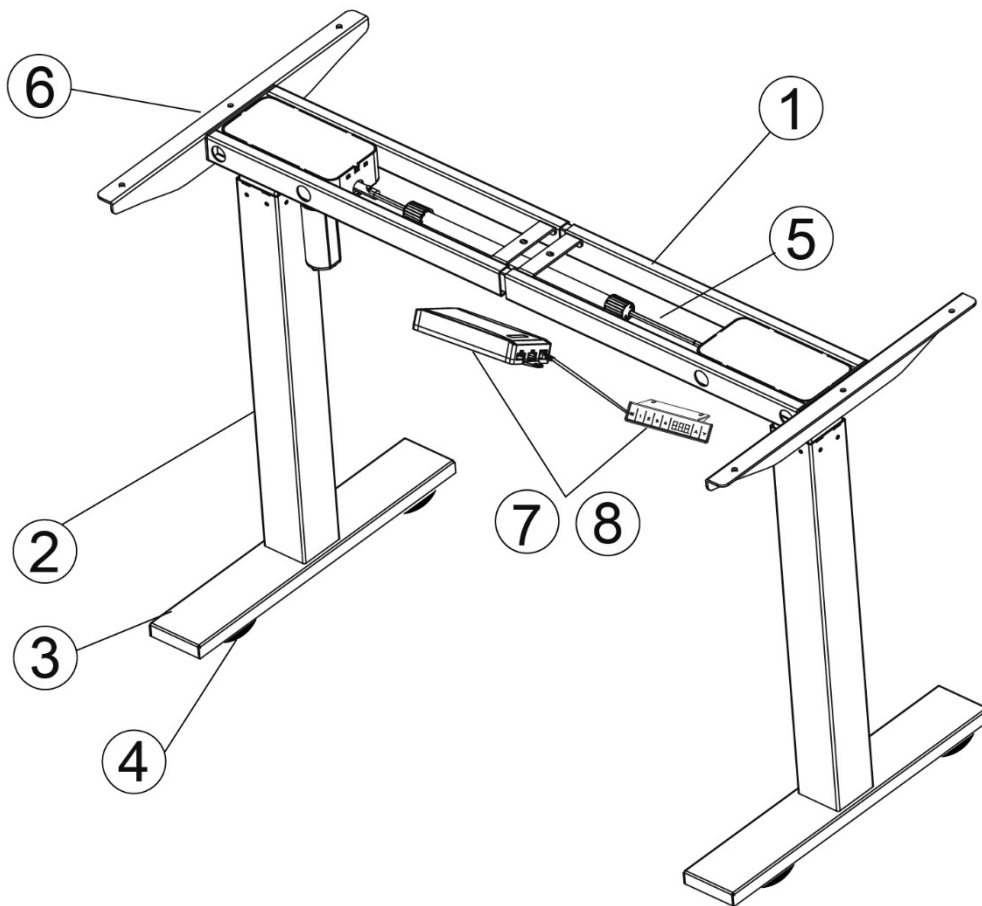
Hardware

- A. M6x20 (8)
- B. M6x14 (18)
- C. ST4.8x19 (10)
- D. ST3.5x19 (3)
- E. Desktop Gaskets (6)
- F. Hexagonal Wrench 2.5mm
- G. Hexagonal Wrench 4mm/ 5mm
- H. Clips (4)
- I. Adjustable Feet (4)
- J. Control box (1)
- K. Keypad (1)
- L. Power Cord (1)



Part Diagram

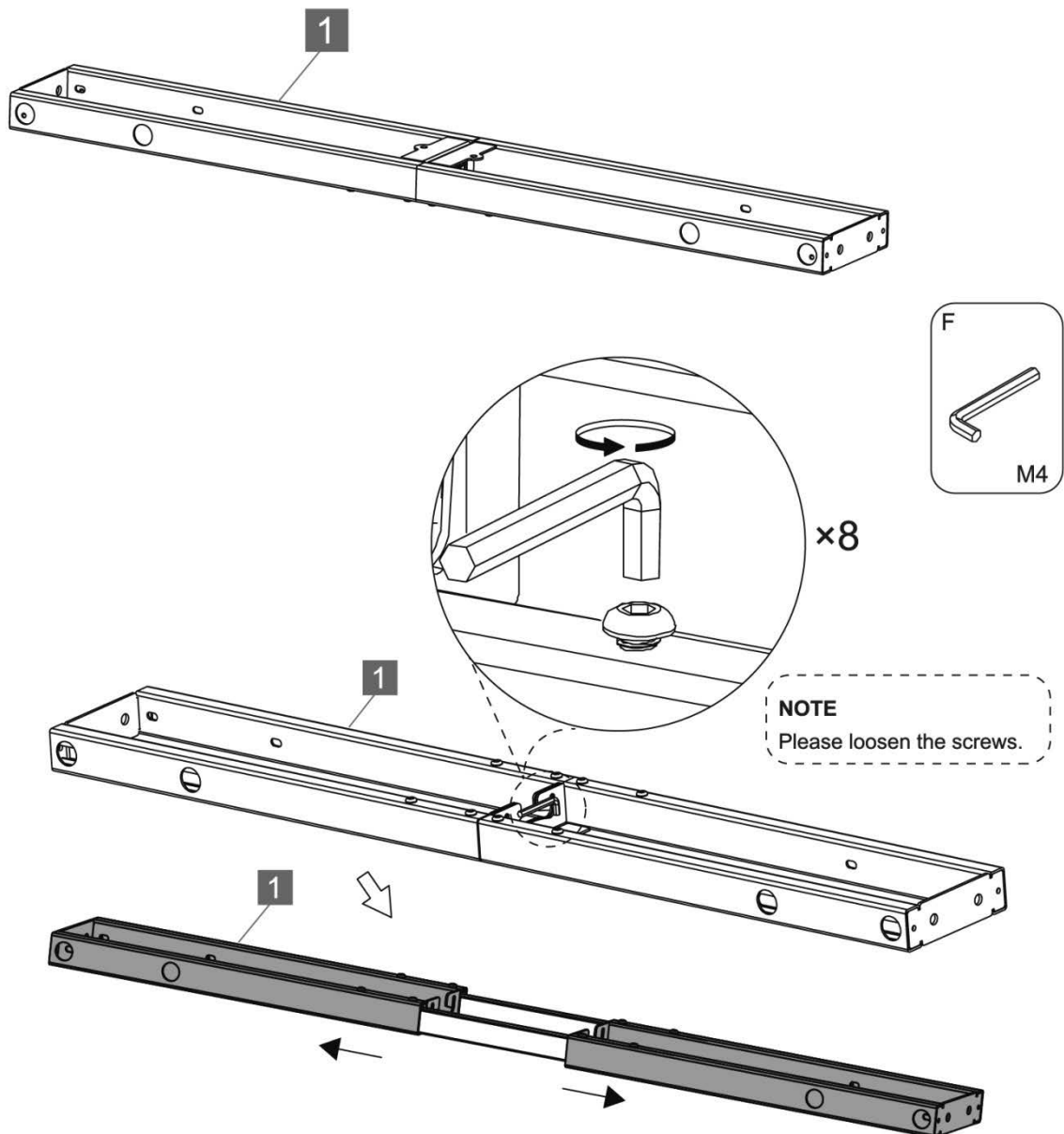
No.	Description	Qty
1	Crossbar Assembly	1
2	Legs	2
3	Feet	2
4	Adjustable Foot	4
5	Transmission Bar	1
6	Desktop Bracket	2
7	Keypad	1
8	Controller	1



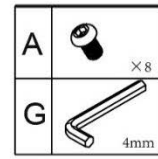
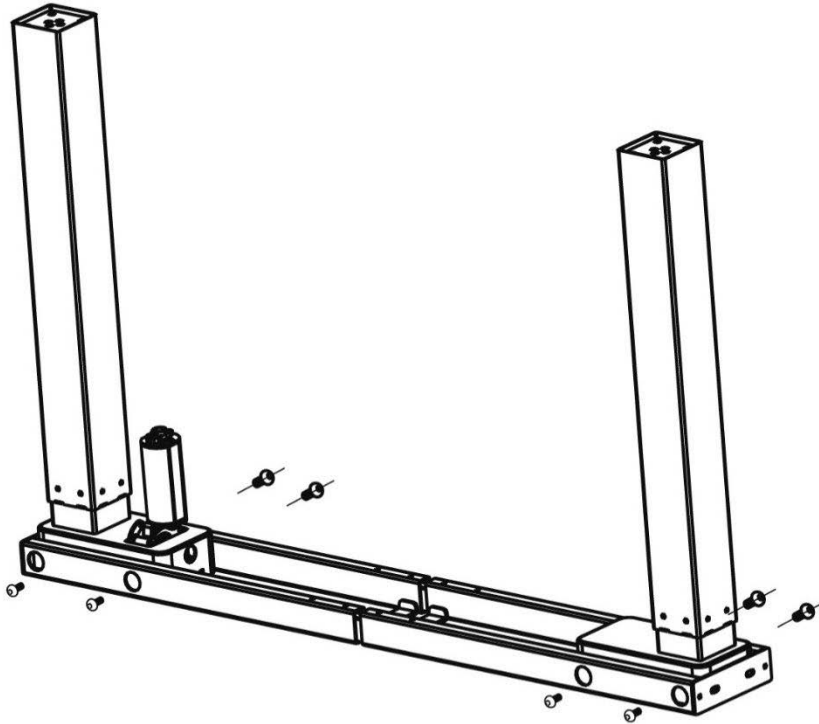
Installation Step

1. Loosen Crossbar.

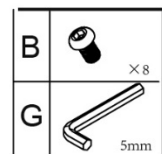
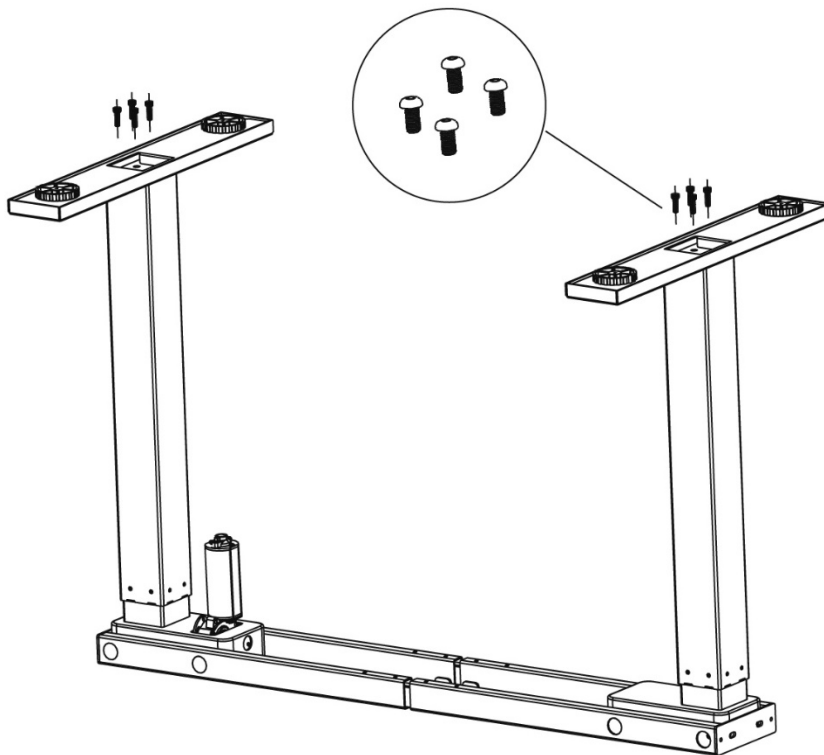
Loosen the screw and adjust the length of the table to expose the mounting holes on the side of the side.



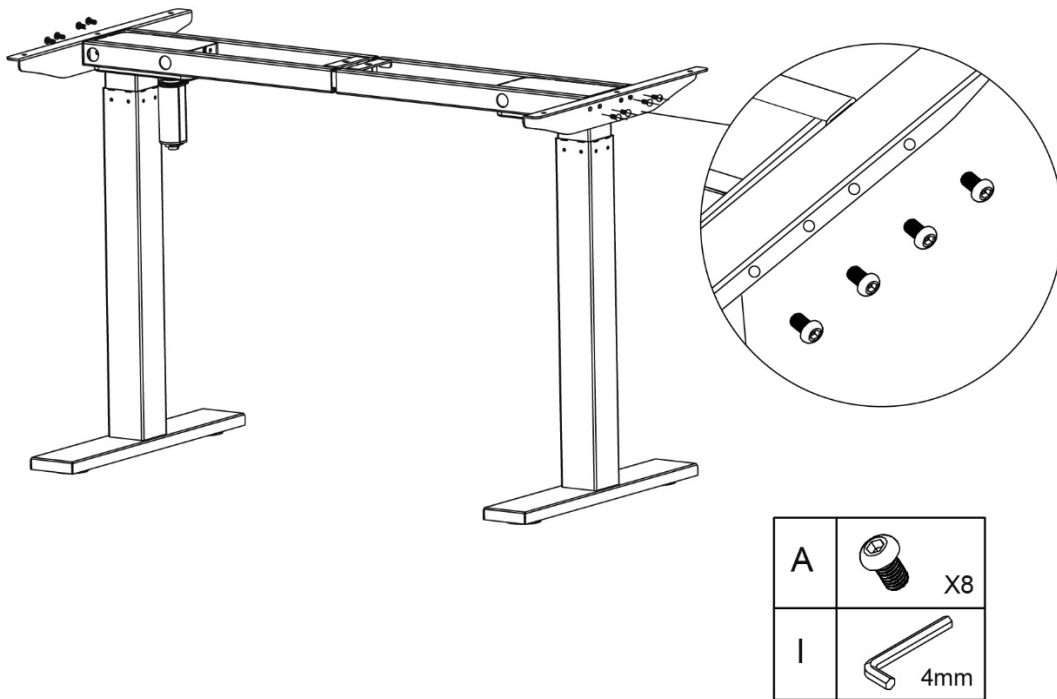
2. Assembly Left/right Legs



3. Attach the desk feet

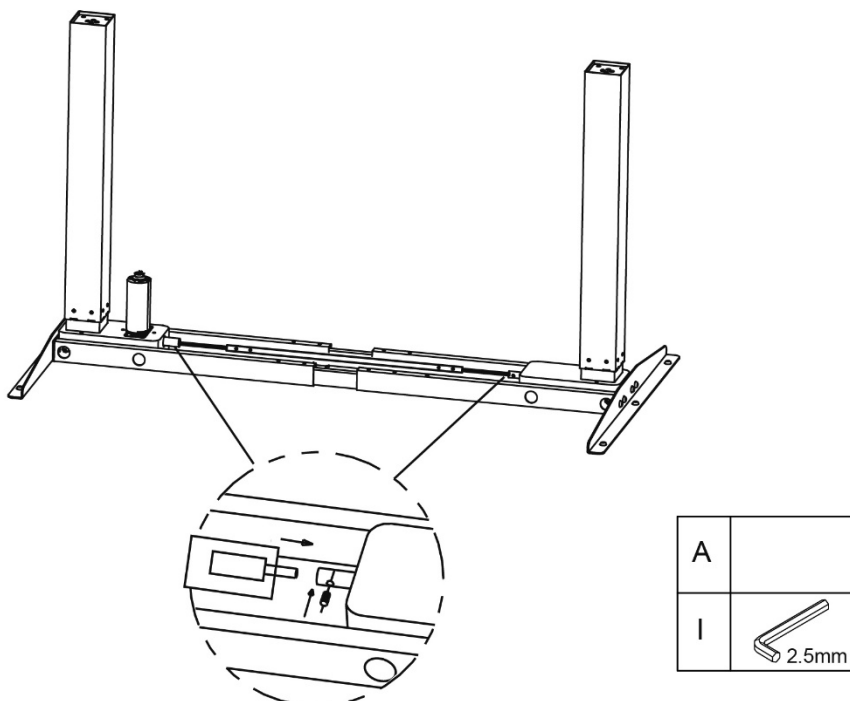


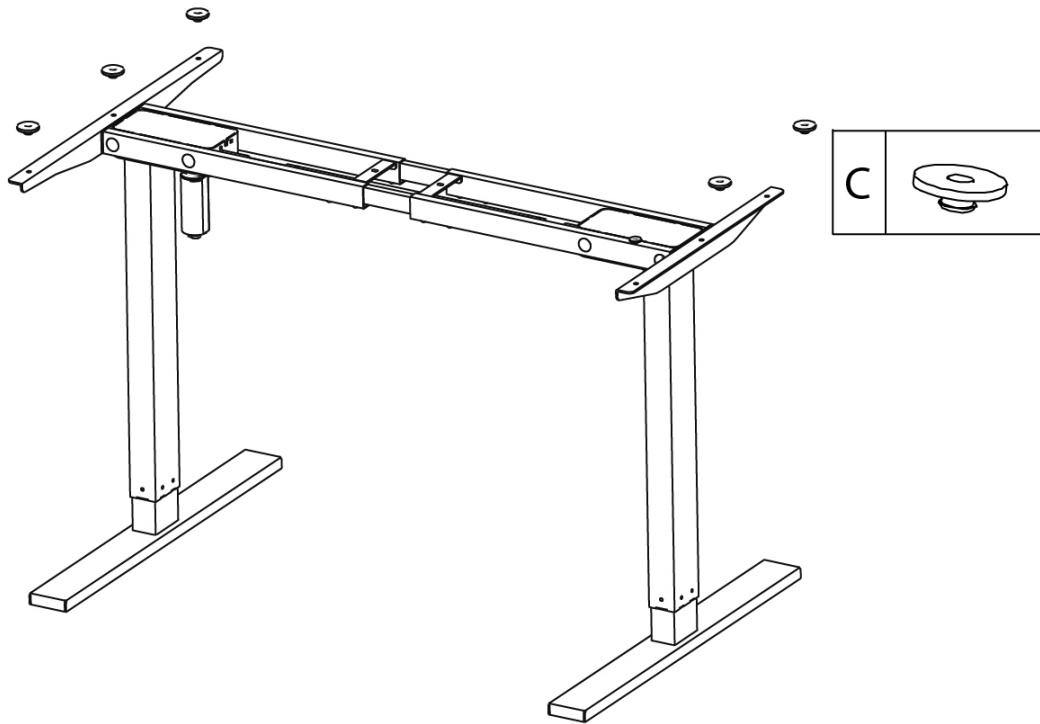
4. Attach the desktop bracket



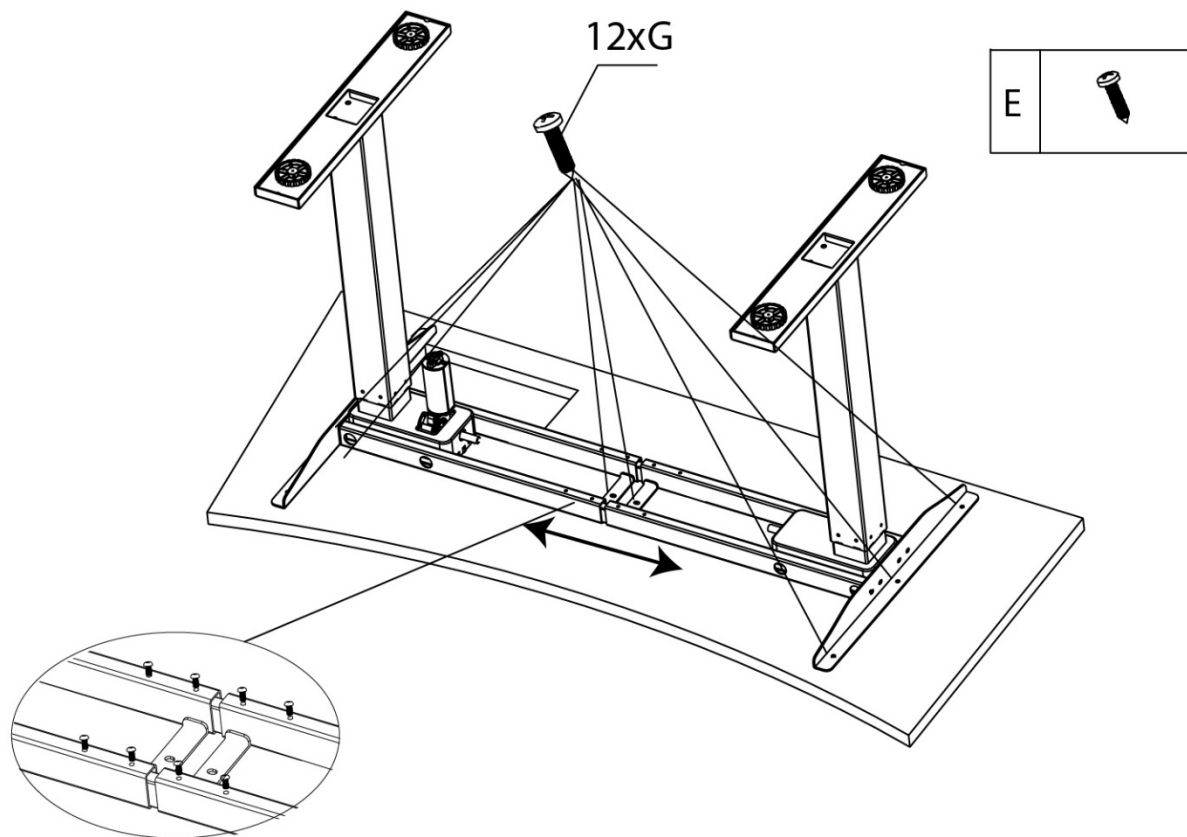
5. Assembly the Transmission Bar

- Loosen the screws of the hexagonal tube
- Insert transmission bar
- Adjust the length according the size of desktop
- Tighten the screws on the hexagonal tube.



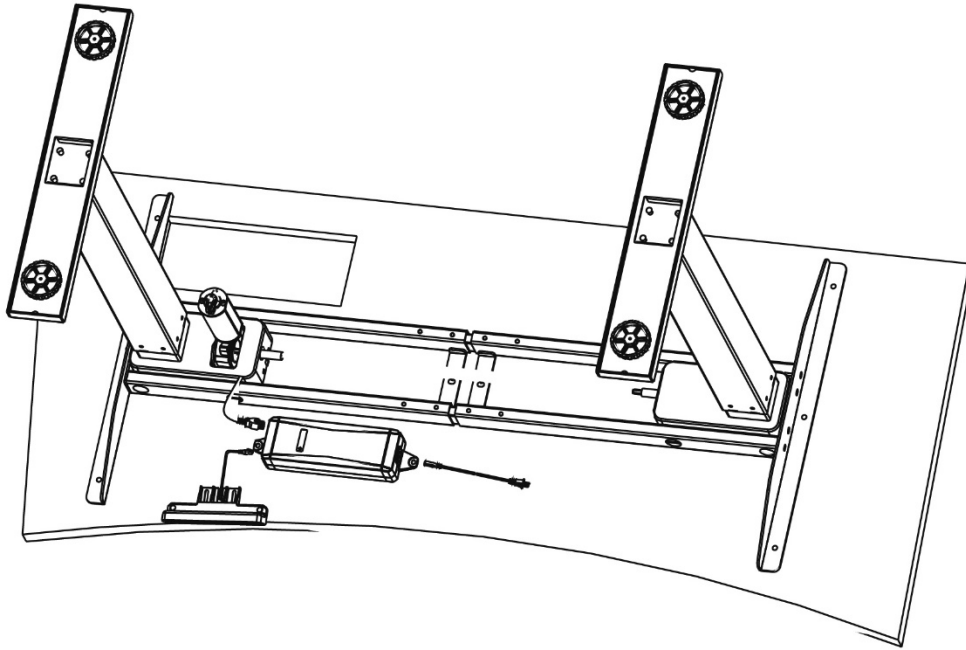


6. Fit the desktop on the frame

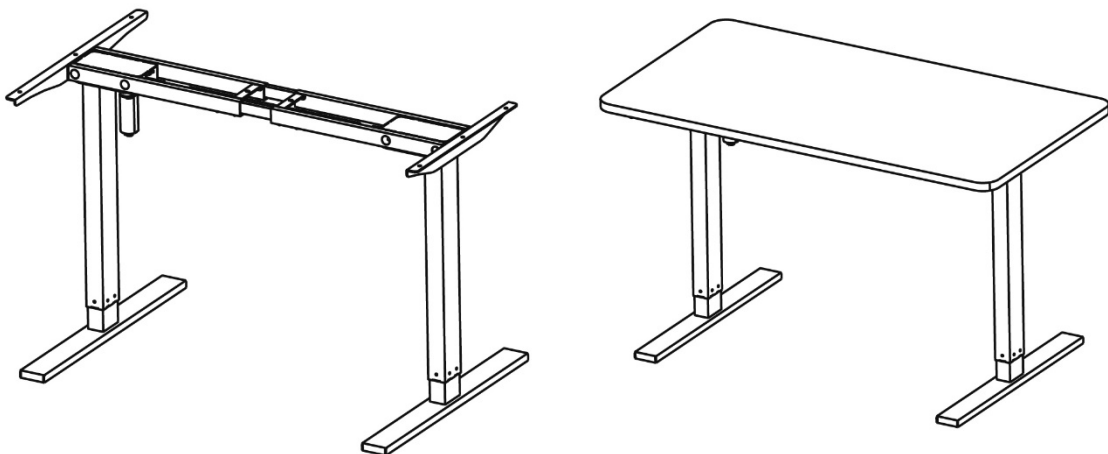


7. Connection and installation of Control box and keyboard

1. Plug cables from the motor to the control box.
2. Plug the cable from the keyboard to the control box.
3. Plug the power cable to the other side of control box.
4. Use the ST 4.8*16 screws fix the keyboard and control box under the desktop.



8. Complete the installation, need two people carry the desk and put it in the right place.

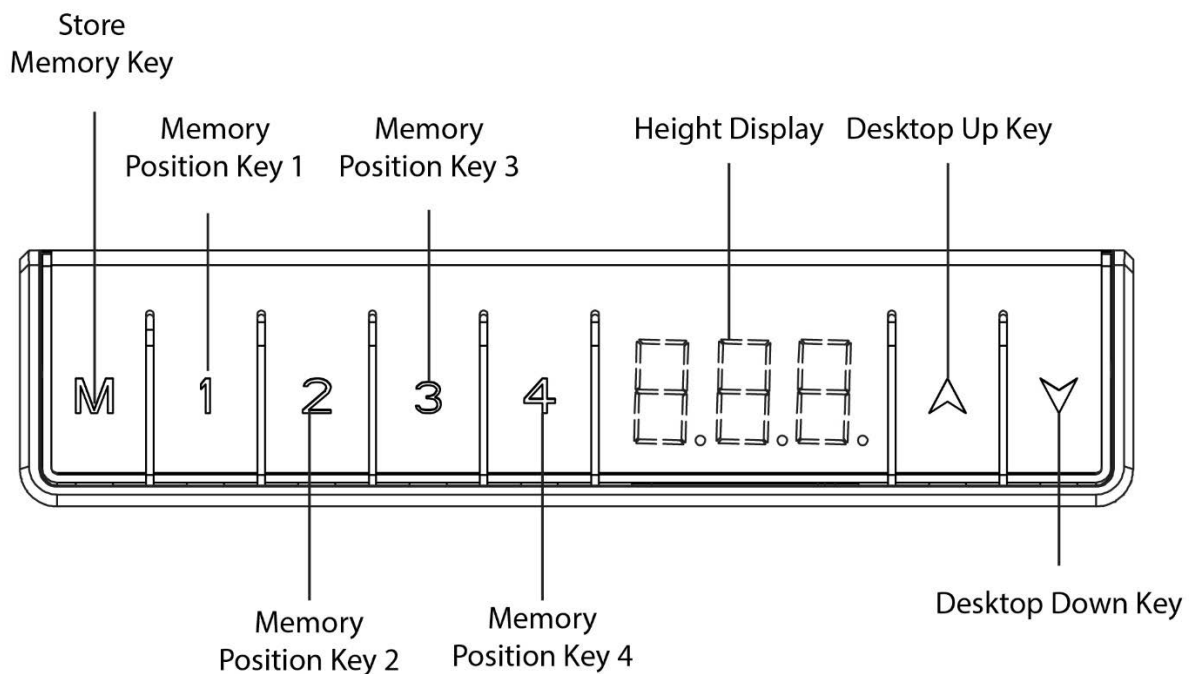


Digital Keyboard Manual

1. Overview

Main features of the programmable Keyboard are showed in the figure below:

- M:Store Memory Key
 - Memory Position Key 1
 - Memory Position Key 2
 - Memory Position Key 3
 - Memory Position Key 4
- 8.8.8 Height Display
- Arrow 1 Desktop Up Key
- Arrow 2 Desktop Down Key



2. Keyboard Function and Operation

	Function	Description	Note
Desktop Up Key	Desk Upwards	For an upward adjustment of the desk push this button. Push this button until the desired height of the desk has been reached.	The desk will continue driving upwards until you release the button, or the maximum height is reached
Desktop Down Key	Desk Downwards	For a downward adjustment of the desk push this button. Push this button until the desired height of the desk has been reached.	The desk will continue driving downwards until you release the button, or the minimum height is reached

3. Reset Procedure

IMPORTANT: You must reset the desk prior the use.

Make sure no obstacles are in the desk's path.

Make sure the desktop is not touching any walls.

Make sure all cords are appropriate length to accommodate the change in height.

- a. Press the "**UP**" and "**DOWN**" at the same time for 3 seconds until the display show "**RES** ", and the system will make a sound beep, reset is complete.

- b. If the Position of desktop is not at the lowest height. Please press the "UP" and "DOWN" at the same time until the desk reaches its lowest height, and the system will make a sound of beep, reset is complete.

4. Storing a Position

You can use this function to adjust the desktop to a saved height with 4 positions.

If you are switching on the control unit for the first time, all the saved position are set to the lowest desktop height, to change to a saved position proceed as follows:

- a. Press the UP or DOWN key to adjust the desktop to the desired height, the display will show the desktop height.
- b. Press and hold the "M" Key for 3s until the numbers on the display started flashing.
- c. Press memory position Key 1 to save the desk position in memory.
- d. The display will read "P 1" the memory position number you saved.

The other position may be stored in the same way.

The desk base can be adjusted by pressing and holding either the UP or DOWN button until the desired height is reached.

To program up to four presets: Use the up/down buttons to find a desired height, then press "M" followed by a number 1 - 4.

CAUTION:

Once a preset button is pushed, the desk will move to the programmed height.

5. Switch the unit between CM and Inch

The height unit can be switched between CM and Inch, check the proceed as follows:

- a. Press the "M" and "1" at the same time for 3 seconds.
- b. Display started flashing and read "C-E".
- c. Press "1" within 10 seconds, the display show "C", and switched the unit to CM; Press "2", the display show "E", and switched the unit to "inch".
- d. The display stopped flashing, and the switch the unit between CM and Inch is complete.

5. Setting the LED retracted height

Press the DOWN button on the memory controller until the frame reaches its lowest position. Measure the height of the frame from the floor and see if the height showed on the LED display does match your measurement or not, if you need to revise the height which showed on display, follow these steps to set:

- a. Press and hold the DOWN button (about 5 seconds) until the LED displays the flashing starting height.
- b. Press the UP or DOWN button to increase or decrease the height (1 unit / click).
- c. Then press "M" and stop flashing, your desk is now ready to use.

Note: the LED display has a 0.1 tolerance.

6. Trouble Shooting

Below are the possible errors which can be displayed. The errors will only be displayed when a button is pressed.

Display Readout	Trouble Description	Resolve
E01	Lifting speed of two legs is not able to lift at same position.	please check all the wired connection are secure , including legs to cable, and cables to control box.
E04	desk Leg 1 was overloaded	Make sure the loading capacity of desk is less then 250lbs, and then reset the desk.
E08	desk Leg 2 was overloaded	Make sure the loading capacity of desk is less then 250lbs, and then reset the desk.
E10	Leg 1 has collision and rebounded	The desk will automatically stop and bounce back 2 cm. Perform the reset procedure outlined in the Digital Memory. Controller section
E20	Leg 2 has collision and rebounded	The desk will automatically stop and bounce back 2 cm. Perform the reset procedure outlined in the Digital Memory. Controller section.
HOT	MOTOR OVER HEATED	Let the base cool down for 18 minutes. For urgently using, try to re-plug to re-start the system.
<p>Remark: If your desk is not functioning properly, it may need to be reset or restarted.</p>		

Hereby Assmann Electronic GmbH, declares that the Declaration of Conformity is part of the shipping content. If the Declaration of Conformity is missing, you can request it by post under the below mentioned manufacturer address.

www.assmann.com
Assmann Electronic GmbH
Auf dem Schüffel 3
58513 Lüdenscheid
Germany

