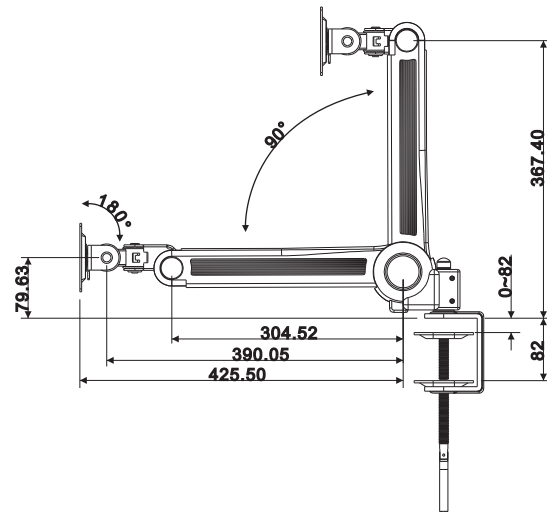
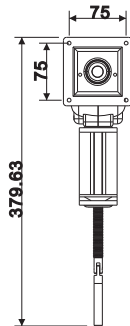
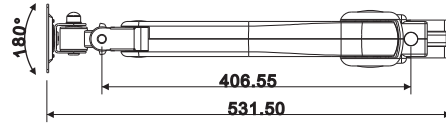
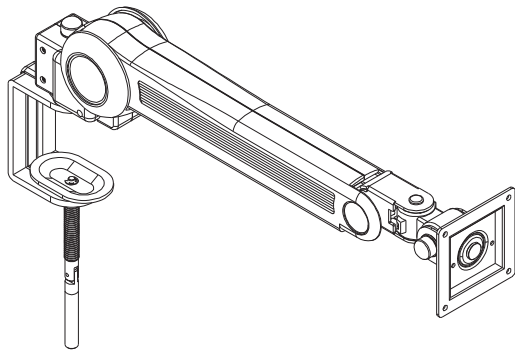




# TFT DISPLAY SWIVEL ARM

## Specification

**\*Strong loading up to 10 kgs LCD Monitor.**



Unit:mm

## Parts List

### MAIN PARTS

ITEM	1	2	3	4	5	6	7	8
PARTS								
QTY	1	1	1	1	2	1	1	1

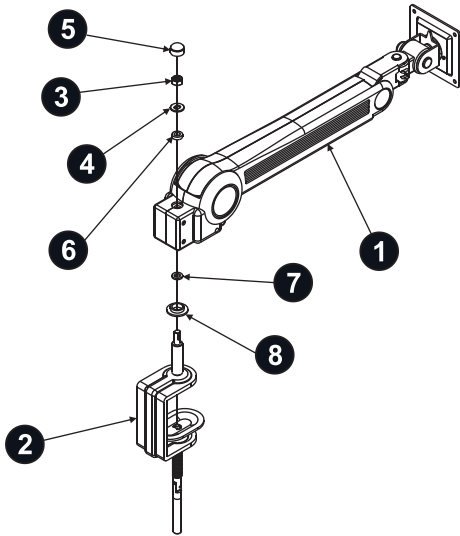
### PARTS FOR TV BRACKETS

ITEM	9	10	11
PARTS			
QTY	1	8	1

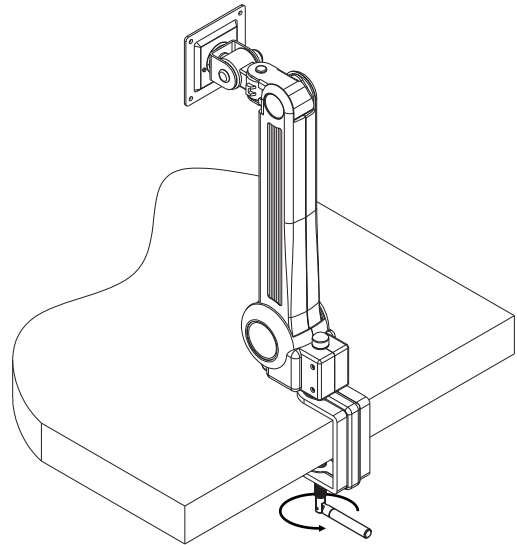
- Beware of the specification as first page.
- Please choose the thickness of solid table over 10mm.
- Please evaluate the desk material whether is stable for installation.
- Recommend the other persons to hold the monitor.
- Unplug all the cables off the monitor.

**Installation**

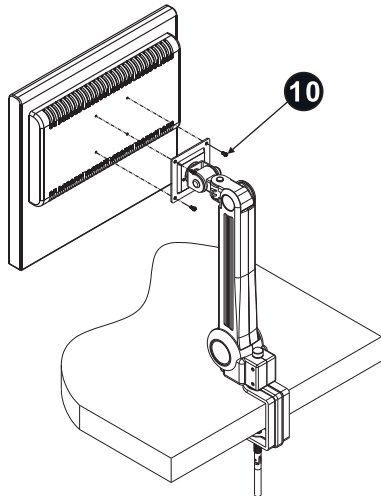
I.



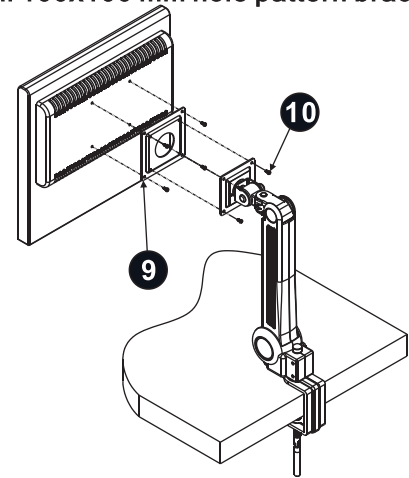
II.



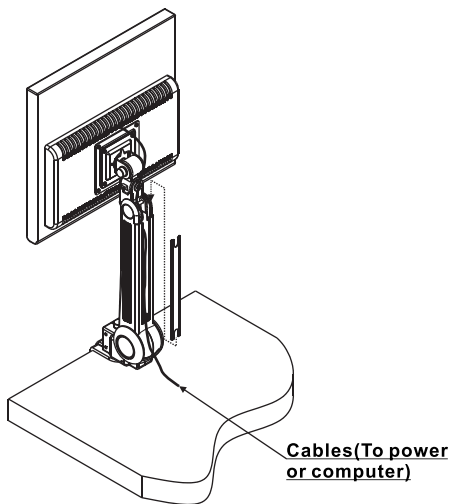
III.



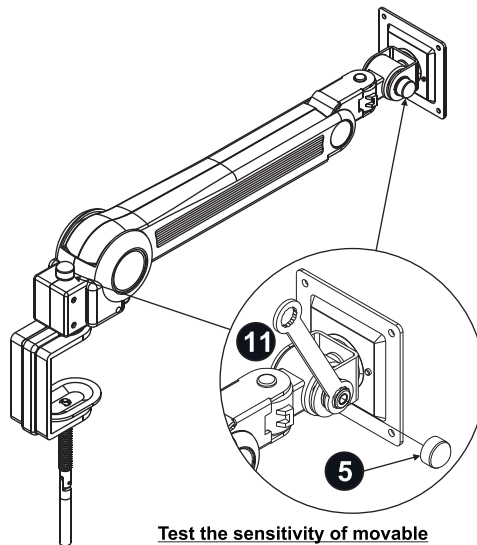
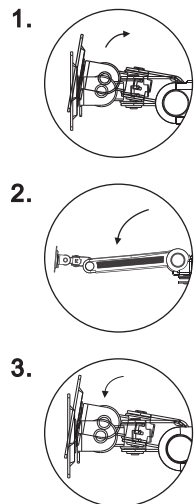
IV. Install 100x100 mm hole pattern bracket.



V.



How to adjust the height?



Test the sensitivity of movable arm with spanner