



**Mini enclosure for M.2 NVMe
PCIe SSD, USB 3.1 Type-C™**



Manual
DA-71120

Thank you for your purchase of the USB3.1 M.2 NVMe PCIe SSD external enclosure. This Plug & Play enclosure enables you to use M.2 NVMe PCIe SSD and gives you the connection of Super-speed USB 3.1. The product uses the USB Type-C interface, enhance ease of use for connecting USB devices with a focus on minimizing user confusion for plug and cable orientation

Features

- Support USB Super-speed Gen2 (10 Gbps) / Super-speed Gen1 (5 Gbps)/High-speed (480 Mbps)/Full-speed(12Mbps) operation.
- Support windows 2000/XP/ VISTA /7/8/10, Mac10.x, Linux 2.4.2 and above
- Supports M.2 modules in format 2280, 2260, 2242 and 2230 with key M or key B+M based on PCIe (NVMe), up to 1TB or more
- Fits size: 30*22 mm/42*22 mm/60*22 mm/80*22 mm
- LED power/status indicators
- Easy installation

Specifications

- Interfaces: 3.1/3.0/2.0/1.1
- Support USB3.1 Super-speed operation
- Case material: All Aluminum
- LED indicator: Power and drive activity
- Environmental:
 - Power Requirements: DC 5V supplied by the Computer
 - Operating Temperature: 5 °C to 50 °C
 - Storage Temperature: -40 °C to 70 °C
 - Operating Humidity: 5 to 90 %, non-condensing

System Requirement

PC Requirements

- Minimum Intel Processor Pentium II/50MHz, 64MB RAM
- Windows 2000 / XP / VISTA/7/8/10
- Active USB port

MAC Requirements

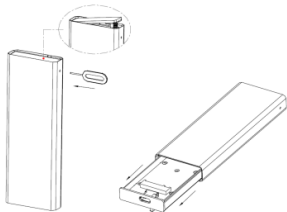
- Minimum Apple G processor, 64MB RAM
- Mac OS 9.1, 9.2, 10.1.5, 10.2, 10.3
- Active USB port

Package Contents

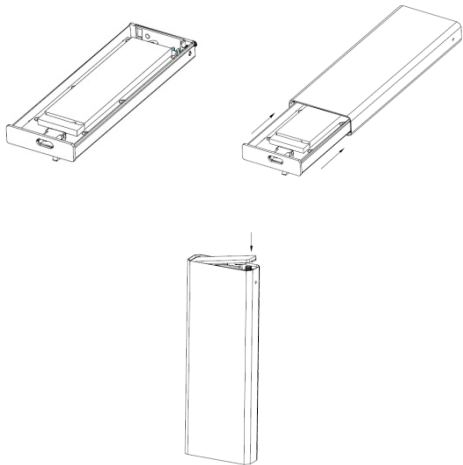
- M.2 NVMe PCIe SSD External Enclosure
- User manual
- USB3.1 Type-C Super-speed cable
- A screw driver and some screws

Installation Hard Disk Driver

Step 1: Use a paper pin to push the hole as shown. Then open back cover.



Step 2: Insert the SSD corresponding to the seat and PCBA connection, then lock it. Pass into the aluminum and lock the back cover.



Connect to Computer

1. Connect one end (type C) of the USB cable into the USB Port of your HDD external enclosure.
2. Connect the other end of the USB cable into any active USB port of the computer.
3. Let Windows search and install the driver automatically.
4. Open “My Computer” to see your external hard drive ready to use.

NOTE:

If the external hard disk is a new disk drive which has not been partitioned, please refer to the Partition the External Hard Disk chapter to prepare your USB external disk.

NOTE:

To enjoy USB 3.1 super speed up to 10Gbps, your computer must be equipped with built-in USB 3.1 ports, or a USB 3.0 host PCI-e card. If the external hard disk is a new disk drive which has not been partitioned, please refer to the **Partition the External Hard Disk chapter** to prepare your USB external disk.

Drivers Installation

Windows 2000/ XP/VISTA/ 7/8/10

The product is supported by Mass Storage Device within WINDOWS2000/XP/VISTA/7/8/10 system directly you do not need to install any drivers. When the USB External Drive is used for the first time your PC system will detect a USB Storage Device and automatically install the drivers for [USB Mass Storage Device] from the installed system.

macOS

- macOS 8.6
If you are using macOS 8.6, the software of Mass Storage Support 1.3.5 is required for installation. You can download The USB Mass Storage Support 1.3.5 from the Apple Software Updates web site <http://www.apple.com/support>.
- macOS 9.0 or later
You don't need to install this software if you have installed macOS 9.0 or above. When you connect the product with the Mac computer, the mass storage volume should appear on the desktop in a few seconds automatically.

Disconnect to Computer

Windows 2000/ XP/VISTA/ 7/8/10

1. Double-click on the **[Unplug arrow icon or Eject Hardware]** icon in the system tray. Dialog box appears as on the right.
2. Highlight the **[USB Mass Storage Device]** in the dialog box, click on **[Stop]**, choose the USB External Drive that you want to disconnect, then click on **[Stop]** again on next screen.
3. Wait for few seconds, the system prompts **"You may safely remove this device"**.
4. You can now safely switch off the enclosure or unplug the USB cable from the USB port of the computer.

macOS

When disconnecting your product from the computer, close all windows and quit all running applications that are stored on the USB External Drive and drag USB External Drive's icon into "Trash" this dismounts it from the Desktop prior to unplugging the USB External Drive from the USB port.

How to Partition The External Hard Disk

WARNING!

Before you partition your hard disk, please be aware that this will destroy all your existing data on the drive, so make sure you have a backup! This step is usually only required the first time you install a factory new hard drive or if you want to change the existing format.

Windows 2000/ XP/VISTA/ 7/8/10

Step 1: Right-click on **[My Computer]**, choose **[Manage]**. A **[Computer Management]** window will appear.

Step 2: Click on **[Disk Management]** on the left part of this window and all connected disk drives will be listed in the right part. Find the Hard Disk that you added with its partition status on the right. You can create a new or delete an existing partition by right clicking on this area.

Step 3: Right-click on the hard disk partition status area and choose **[New Partition...]**.The **"New partition wizard"** will appear.

Step 4: Following the "wizard" instructions to partition and format your HDD.

Step 5: Wait until "wizard" finish formatting your SATA drive. It should now appear in **[My Computer]** ready to use.

Attention:

About Windows2000/XP/VISTA/7/8, Please choose NTFS Format, When the capacity is blow 32GB, You can choose FAT32 format.

macOS

NOTE:

macOS does not recognize NTFS formatted drives.

macOS9.2 and earlier, does not support creating partitions on an external drive. To do that, you would need to purchase additional third-party software. Initializing is no problem on all Operating Systems.

macOS X, use the Disk Utility to format and create partitions on your external disk.

- Select “Disk Utilities” in the utilities folder.
- Choose your external drive and format it according to your requirement.

FAQs:

Q: I can't find the drive under my computer, why?

A: Please make sure your new hard disk has been partitioned.

Q: After plugging the USB port, the drive is not spinning at all, why?

A: The USB cable doesn't connect successfully

Q: After installing the drive. Why it is still recognized as “Unknown device”

A: This means the USB3.1 HOST driver installation is not successful; Try disconnecting the cable, waiting 10s, then reconnecting it. If the drive is still not recognized, restart your computer and try again.

Q: My computer doesn't have USB 3.1 port, Can I use USB 3.1 host Adapter?

A: USB 3.1 host adapter works in the same way as the built-in USB ports.

Disclaimer

macOS is a trademark of Apple Inc., registered in the U.S. and other countries.

The product name and brand name may be registered trademark of related manufacturers. ™ and ® may be omitted on the user manual. The pictures on the user manual are just for reference, and there may be some slight difference with the real products. We reserve the rights to make changes without further notice to a product or system described herein to improve reliability, function or design.

Hereby Assmann Electronic GmbH, declares that the Declaration of Conformity is part of the shipping content. If the Declaration of Conformity is missing, you can request it by post under the below mentioned manufacturer address.

www.assmann.com

Assmann Electronic GmbH

Auf dem Schüffel 3

58513 Lüdenscheid

Germany

