



SATA TO IDE, SATA TO SATA, SSD/HDD MOUNTING FRAME



Quick Installation Guide

DA-71101: 9.5mm, IDE • DA-71103: 9.5mm, SATA
DA-71100: 12.7mm, IDE • DA-71102: 12.7mm, SATA

Technical Features:

Supports: Windows 2000 / 2003 / XP / Vista / 7 / 8, Linux, Mac OS 10
Aluminum Alloy shell for better heat dissipation

DA-71100 - HDD frame IDE to SATA 12,7mm
Product Size: 129*128*12.7mm

DA-71101 - IDE to SATA 9,5mm
Product Size: 129*128*9.5mm

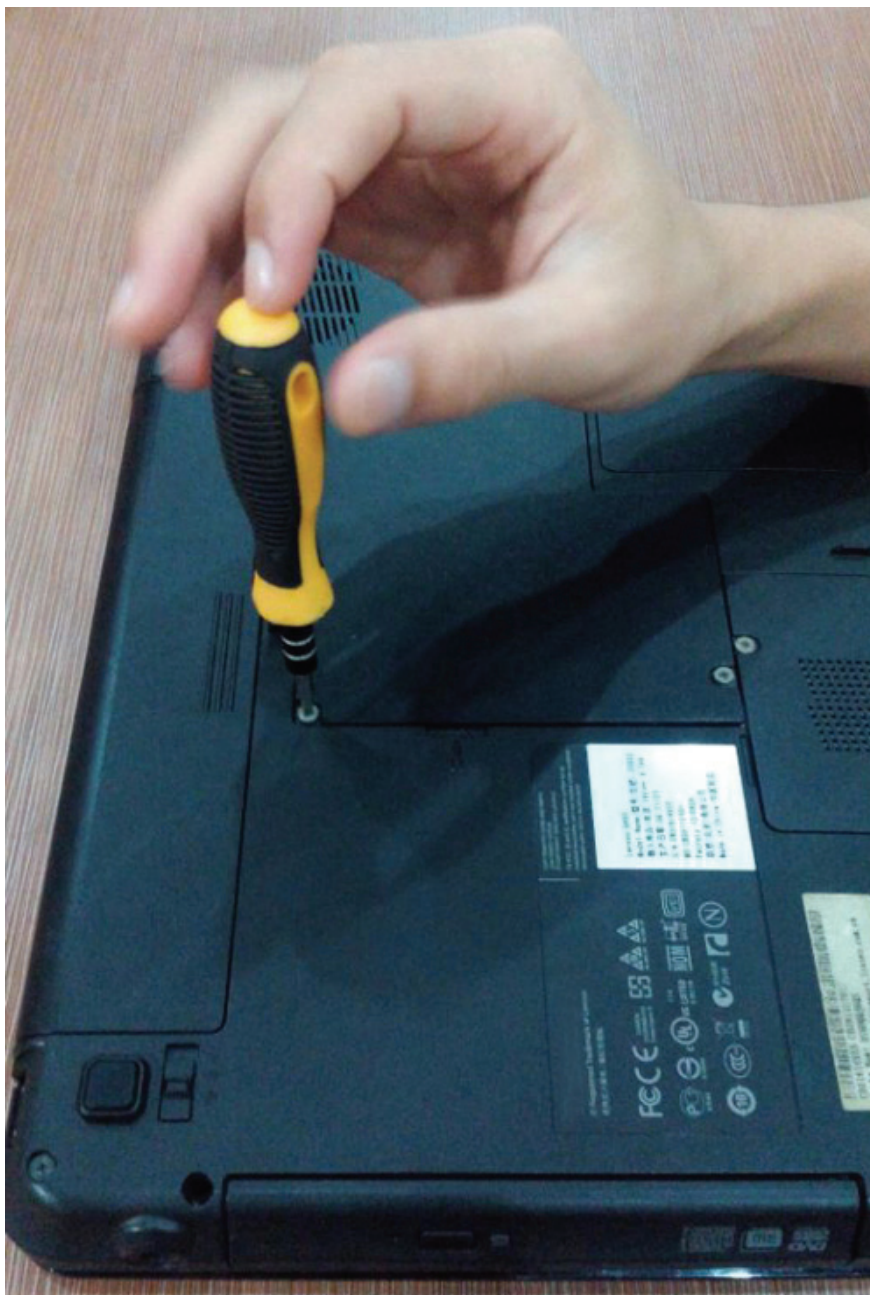
DA-71102 - SATA to STATA (III) 12,7mm
Product Size: 129*128*12.7mm
Real highest 6.0Gps SATAIII transfer speed, compatible to SATAI, SATAII

DA-71103 - SATA to STATA (III) 9,5mm
Product Size: 129*128*9.5mm
Real highest 6.0Gps SATAIII transfer speed, compatible to SATAI, SATAII

Install Instruction:



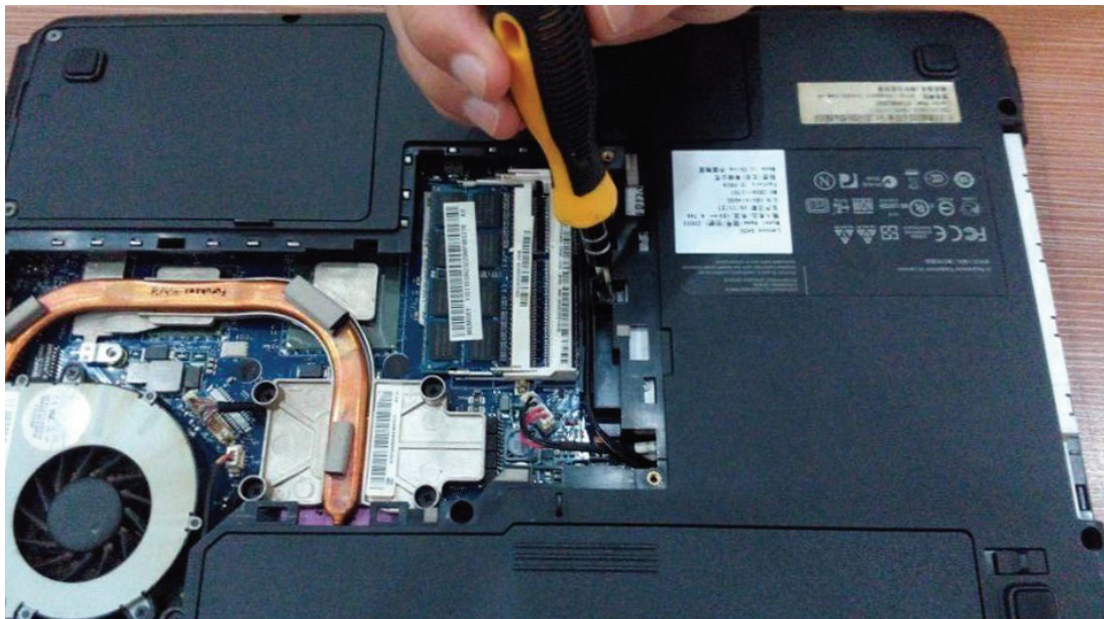
First, unscrew the cover on the bottom of the notebook/laptop.



Remove the cover.



Uninstall the CD-ROM driver inside the notebook/laptop.



Once remove the CD-ROM driver, please check the thickness of the driver which is 12.7mm or 9.5 mm. In order to pick up the suitable 2nd HDD Caddy, it has to make sure the connector of CD-ROM driver is for SATA or IDE.



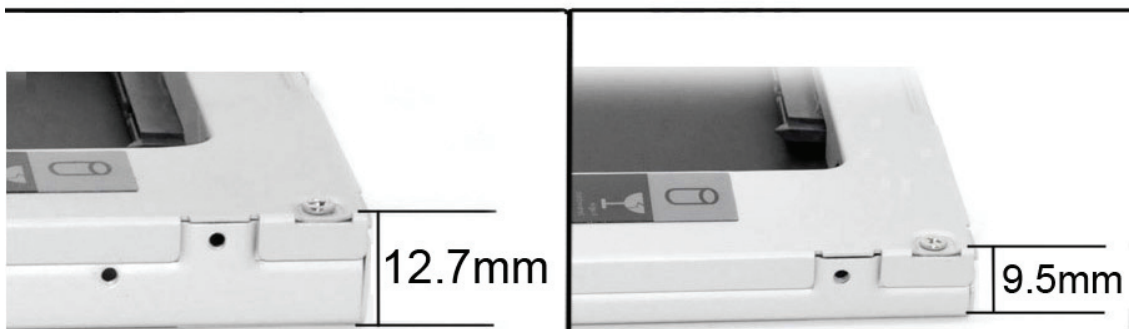
DA-71101: 9.5mm, IDE • DA-71103: 9.5mm, SATA
DA-71100: 12.7mm, IDE • DA-71102: 12.7mm, SATA



ODD - IDE



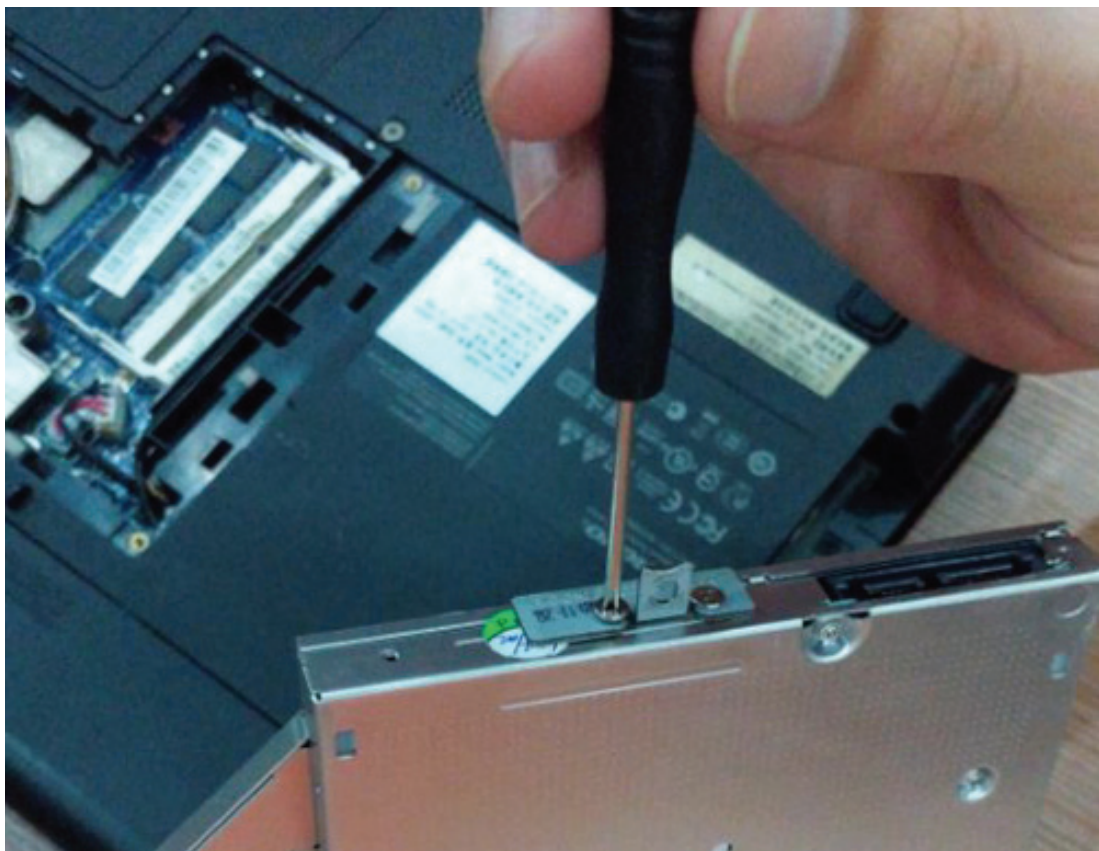
ODD - SATA



Please remove the front panel of the driver.

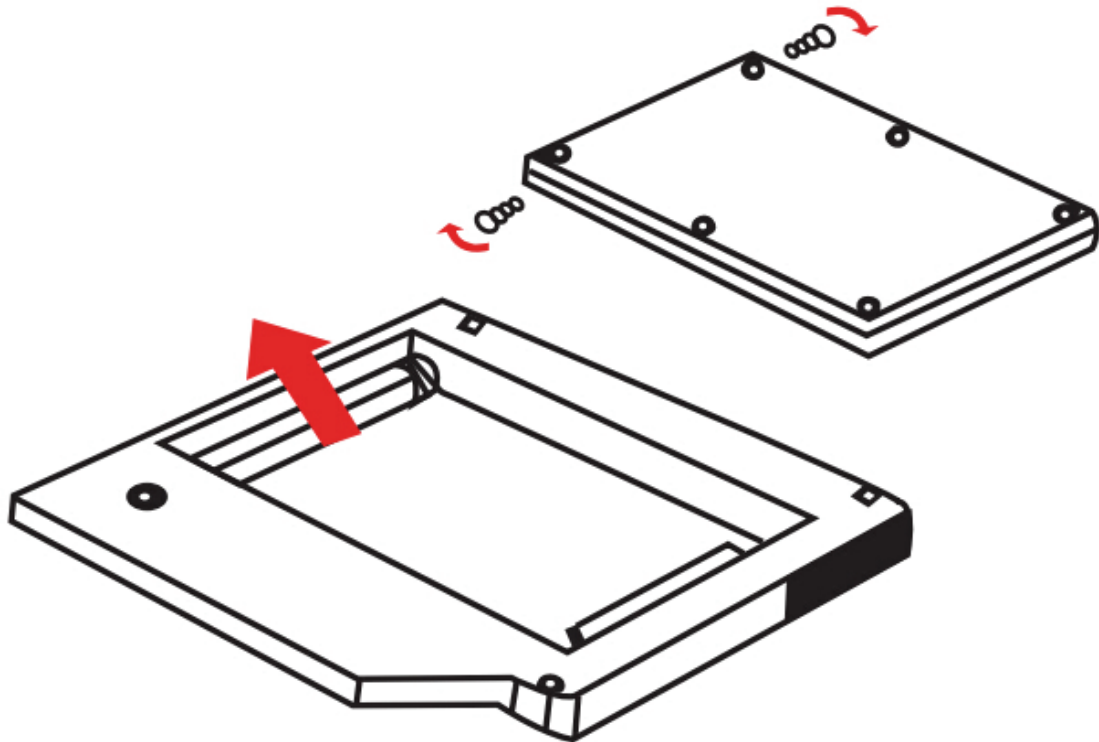


And then, unscrew the buckle on the other side of the driver.

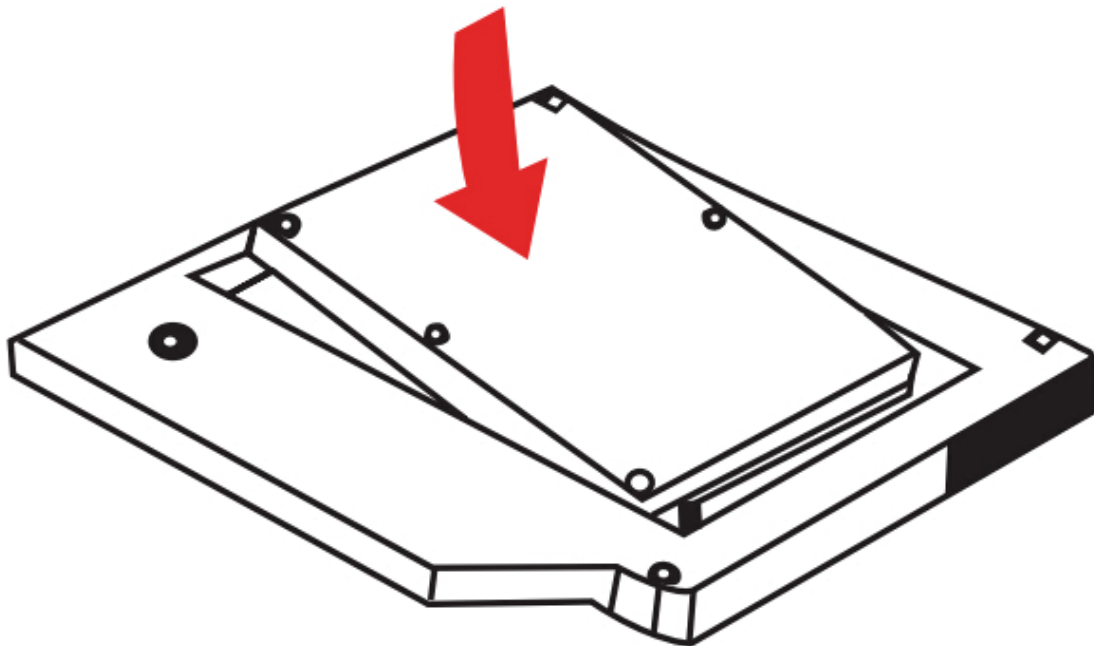


Installation Method:

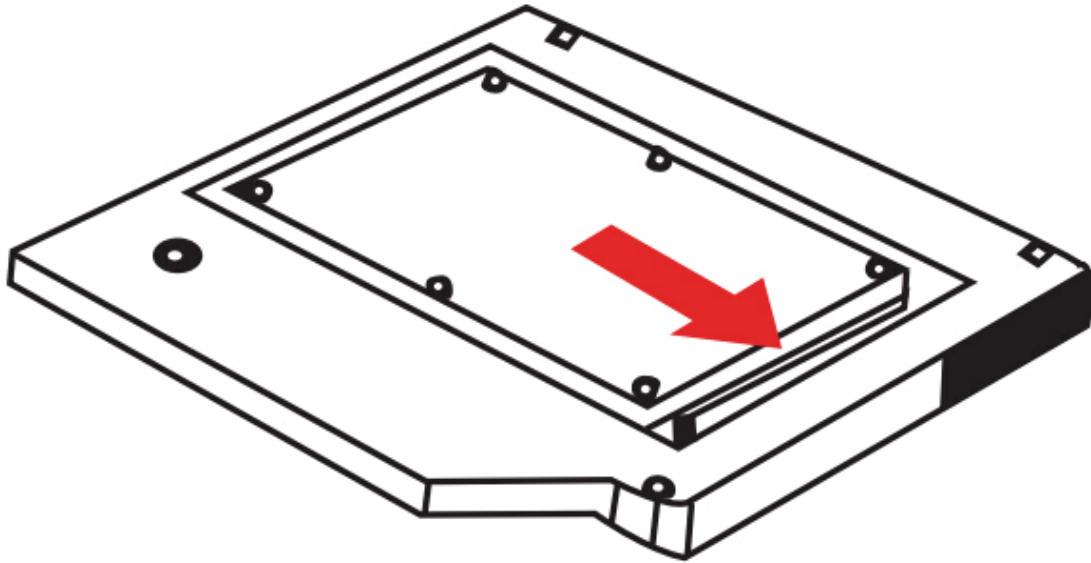
Unpack the hard drive. Lift the hard drive caddy retaining latch. Install the screws to the hard drive.



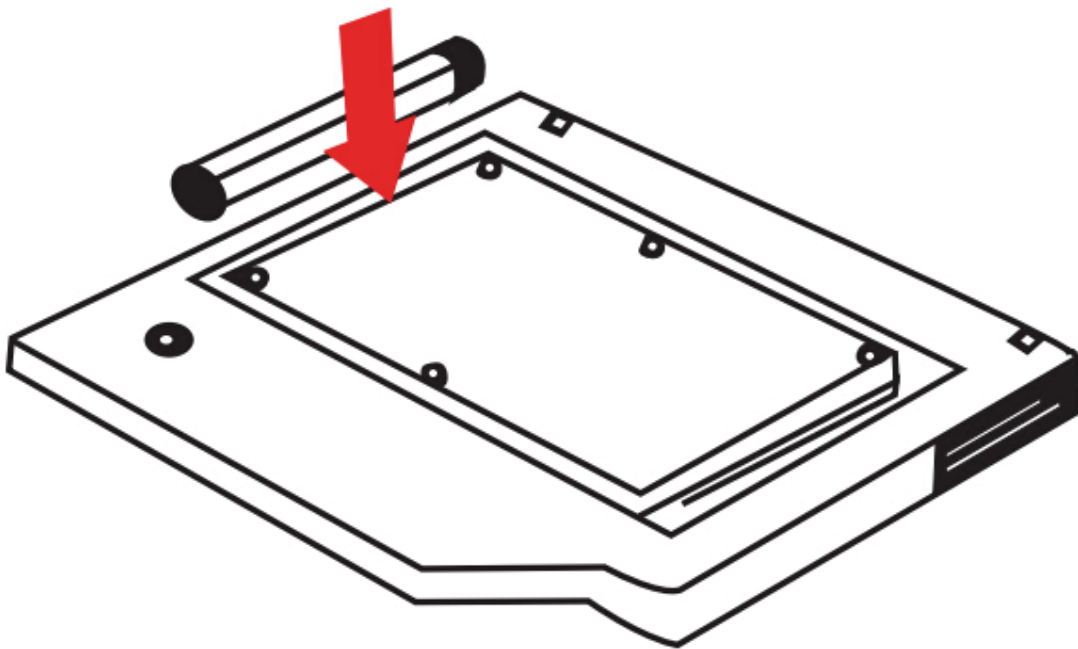
1. Insert the hard drive into the hard drive caddy.



2. Slide the hard drive into the connector until it locks into place.



3. Lower the hard drive caddy retaining latch until it snaps closed



Please assemble the panel and buckle along with the 2nd HDD Caddy, which have been chosen previously.



Insert the 2nd HDD Caddy back into the notebook.



Finally, install the screws to the cover on the bottom of laptop again.

