



VGA Converter

(Micro-HDMI, HDMI, Mini-HDMI)



Manual

DA-70460 • DA-70461 • DA-70462
Rev. 2

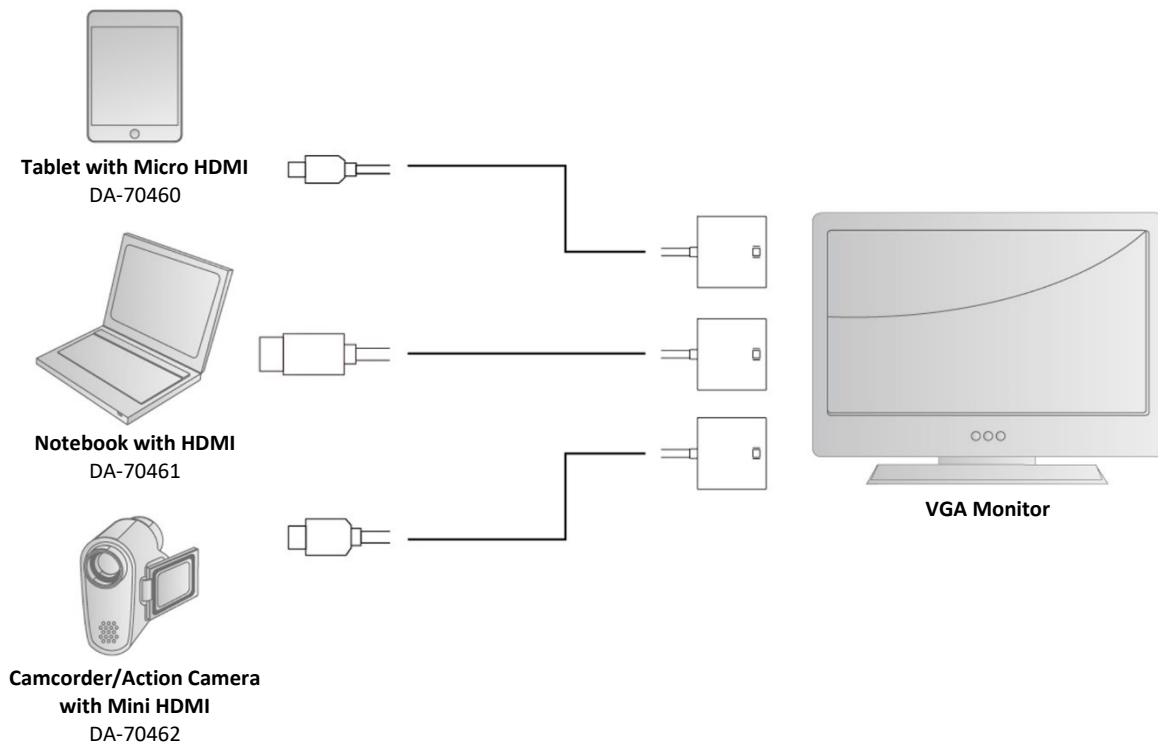
The DIGITUS Video converter (DA-70460, DA-70461, and DA-70462) convert the digital HDMI signals into analog VGA signals. Modern playback devices, such as notebooks, Blu-ray players, DVD players, action cameras, game consoles, etc., can be connected with older VGA monitors or projectors. The converters are also equipped with a 3.5 mm audio jack. Any existing audio signal is converted in parallel. This enables additional audio playback by connecting your speakers or surround sound system.

Features:

- DA-70460 Input: Micro-HDMI Type D
- DA-70461 Input: HDMI Type A
- DA-70462 Input: Mini-HDMI Type C
- Output: VGA/3.5mm audio
- Converts video and audio signals from HDMI to VGA
- Use modern devices with older analog VGA monitor
- No software or driver installation required
- VGA resolution: 10 bit resolution with up to 165 MHz pixel rate (1,080 pixels and UXGA)
- Compatible with HDMI 1.4a
- Color: Black



Application Diagram:



Package Content:

- VGA converter
- Manual

Hereby Assmann Electronic GmbH, declares that the Declaration of Conformity is part of the shipping content. If the Declaration of Conformity is missing, you can request it by post under the below mentioned manufacturer address.

www.assmann.com
Assmann Electronic GmbH
Auf dem Schüffel 3
58513 Lüdenscheid
Germany

