



# USB 3.0 TO SATA 3.0 ADAPTER CABLE



**User Manual**  
DA-70326 Rev.3

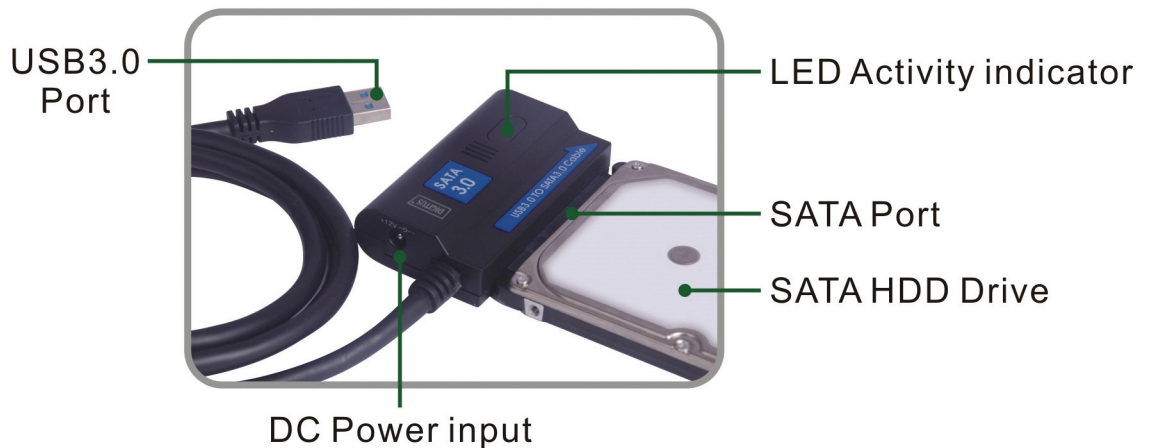
## Introduction:

USB3.0 PORT to connect PC, SATA PORT to connect 2.5Inch or 3.5Inch SATA Hard disk, make it become a mobile hard disk, users can access to data freely with high transfer rate, also it can connect other device which also with SATA port. And products with 1.2m USB3.0 cable, hard disk can be put on the any suitable place.

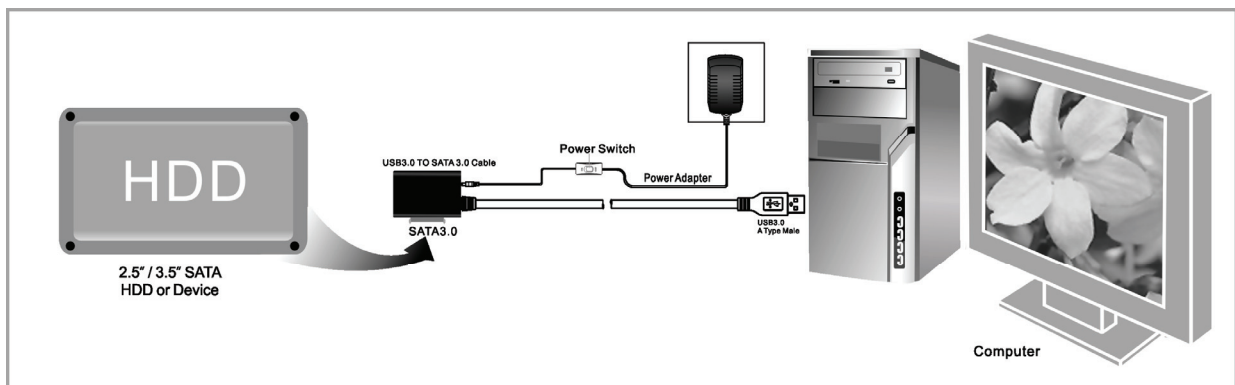
## Specifications & Features:

- Compliant Universal Bus 3.0 Specification, compatible with USB 2.0, 1.1 Specification
- Supports data transfer rate: Super-speed (5Gpbs) / High-speed (480Mbps) / Full-speed (12Mbps) / Low-speed (1.5Mbps)
- Compliant with Serial ATA 3.0
- Supports SATA 1.5Gbps / 3.0Gbps / 6.0Gbps speed negotiation,
- Supports SATA 2.5" and 3.5" HDD or Device, ODD
- Power: AC 100~240,50/60Hz (input), DC 12V 2A (output)
- LED indicating
- Supports Windows 2000/XP/Vista/7/8/8.1/10, Mac 9.2 or higher

## Plan Image:



## Product Graphic:



## Application

- Connect the 2.5"/3.5" SATA HDD or device, ODD to the adapter



- Connect the USB 3.0 cable to the USB 3.0 port on your computer



- Connect the power and turn it on



### Usage:

1. Check your hard disk; USB 3.0 TO SATA 3.0 Cable and AC power supply are ready for using.
2. Connect the SATA port of product to hard disk (device with SATA port).
3. Connect power to product, and then turn on the power button, power working ok if red LED light is working.
4. Connect USB 3.0 port of product to USB 3.0 port of PC, all connection is ok if purple LED light is working (red & blue LED light are working at the same time), the you can access to data freely.
5. Hard disk will be automatically detected after all connection is ready, and then you can access to data. (Blue LED light is flashing shows that data access in progress)

### NOTICE:

1. Put product on the desk and insure it is steady after connected with hard disk, and then to connect to power; do not remove hard disk while it is working, otherwise, data will be lost, even the hard disk will be damaged.
2. If the system cannot automatically detect the device, then you need to format the hard disk use "Disk Management" or "Disk Utility".
3. The transfer speed can up to the rate of USB 3.0 if your PC also has USB 3.0 port while accessing data.
4. Please check whether the device has connected to USB 3.0 channel or not, if the transfer speed can't up to the rate of USB 3.0. And need you to note that there are some differences in actual transfer speed due to different hard disk.