



## BLUETOOTH 2.0 ALUMINIUM HEADSET

### User Manual (DA-30110)

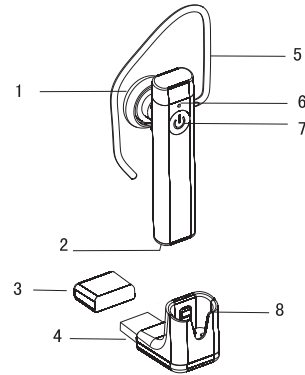
Bluetooth headset should be used with the compatible devices which support bluetooth wireless technology. This allows you the freedom to make any calls at any time. Please read this user manual carefully before using the headset, and also read your device's user manual regarding the bluetooth function, and pay attention to those important safety and maintenance information. Please keep the headset away from children.

## Specifications

<b>Bluetooth Specification</b>	V2.0+EDR
<b>Bluetooth Profiles Supported</b>	Headset, Handsfree
<b>Transmission Power</b>	Class 2
<b>Operation Range</b>	Up to 10 Meters
<b>Frequency Range</b>	2. 4-2. 4835GHz
<b>Battery</b>	Built-in Rechargeable 3.7V /50mAH Li-polymer Battery
<b>Charging Voltage</b>	DC5.0-6.5V
<b>Charging Time</b>	About 2 hours
<b>Talk Time *</b>	Up to 3 hours
<b>Standby Time *</b>	Up to 50 hours
<b>Dimensions(mm)</b>	L53. 5×W13. 5×H6
<b>Weight</b>	About 6.6g

\*May vary due to user's operation mode and device settings.

## Structure Sketch



- |                          |                              |
|--------------------------|------------------------------|
| 1. Earpiece              | 5. Ear Hook                  |
| 2. Microphone            | 6. Indicator Light           |
| 3. Charging Socket Cover | 7. Multifunction Button(MFB) |
| 4. USB Charging Socket   | 8. Charging Base             |

## Basic Operations

### Charging Your Headset

- Prior to using the headset for the first time, please fully charge the battery. Insert the headset into the charging base, and connect it with a PC or USB equipments which supply USB power.
- 2 hours are required to fully charge the headset.
- The indicator light turns red while being charged, and will turn off automatically after being fully charged.
- When the headset is running out of battery, the indicator light will flash red(the headset will switch off automatically when the battery is drained). Please charge the headset as above steps in time to prolong the battery's useful life (Charging indication will be delayed for a few minutes if the headset has not been used for a long time or the battery is drained).

#### Note:

- Use only the supplied charger/USB charging base/cable to charge the headset, or could be dangerous.
- Do not attempt to force open the built-in battery as this could damage the headset.
- If left unused, a fully charged headset will loose its power automatically. It is recommended to charge the headset every three months.
- Do not leave the headset in a too hot or too cold condition (best between 15°C and 25°C ) which may affect the headset's operations.
- Do not dispose of the headset into a fire and water.

### Turning on the Headset

In OFF MODE, press and hold MFB until you hear a short beep and the indicator light flashes blue , then the headset will enter into STANDBY MODE.

### Turning off the Headset

In ON MODE, press and hold MFB until you hear a short beep and the indicator light turns off, then the headset will enter into OFF MODE.

## Pairing Your Headset with a Bluetooth Mobile Phone

- 1.Ensure the headset is off.
- 2.Press and hold MFB until the indicator light flashes blue and red alternately as PAIRING MODE.
- 3.Activate the bluetooth function on the phone, search bluetooth devices (See the user guide of your phone for instructions).
- 4.Select headset from the found devices list of the phone.
- 5.Enter the passkey "0000", confirm to pair the headset with your phone. The headset enters into the STANDBY MODE(If the pairing cannot be completed within 5 minutes after the PAIRING MODE has been activated, the headset will enter into the STANDBY MODE. Repeat above steps to do the pairing again).
- 6.Ensure the distance between your headset and phone is within 10 meters, and without any obstacles. You can use the headset freely.

- 7.If the headset had paired with your phone but disconnected, it will paired automatically again when turns on within operation range.

### Answering/Ending a Call

Press MFB once

### Rejecting a Call

Press and hold MFB for 2 seconds

### Voice Dialing

In STANDBY MODE, press MFB once. Say the voice tag as soon as you hear the short beep(ensure your phone supports voice dialing function, and you have recorded the voice tag into your phone.)

### Last Number Redialing

Press MFB twice

### Disconnecting

To disconnect the paired headset from your phone, please turn off the headset or disconnect the headset from the Bluetooth menu of your phone.

### Additional Statements

- Charge the headset under any status to a reset.
- The headset will turn off automatically if it can not be paired with any devices within 20 minutes.
- The headset will beep when operates successfully and this maybe too low to hear.
- The above operations may vary due to different devices.
- Manufacturer reserves the right to final explanation of all the above statements.