



MICROPHONE ARM WITH TABLE CLAMP AND CABLE GUIDANCE







Quick Installation Guide




DA-20315

1. Introduction

The DIGITUS Microphone Arm is ideal for streaming, podcasts as well as gaming. The arm has 3 rotating joints with which you can configure the optimal position of the microphone. The robust clamp or screw fastening creates a solid connection with your working table and ensures a perfect hold. Internal springs and integrated cable channels with removable covers ensure optimal cable management. The standard threads 5/8" and 3/8" enable high compatibility with common microphone mounts.

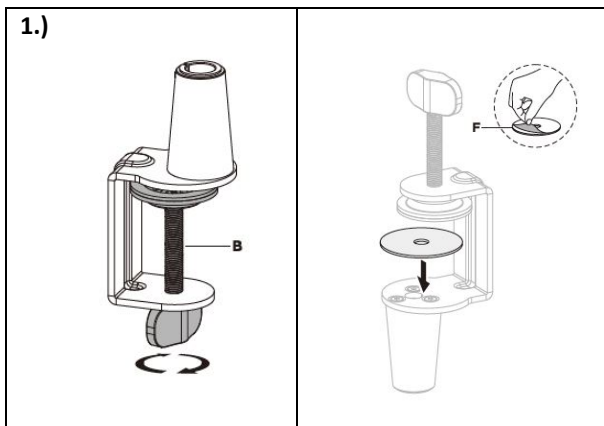
2. Package content

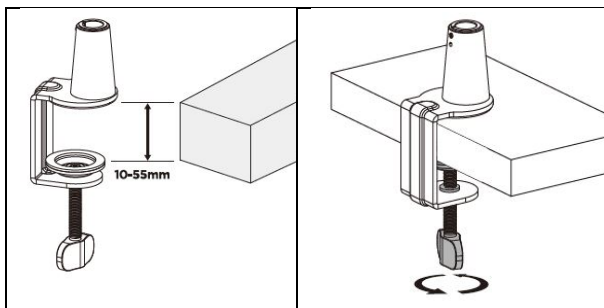
| | | |
|----------|---|------------|
| A |  | x 1 |
| B |  | x 1 |
| C |  | x 1 |
| D |  | x 1 |

| | | |
|---|---|-----------|
| E |  | x 1 |
| F |  | x 1 |
| G |  | x 1 (3mm) |

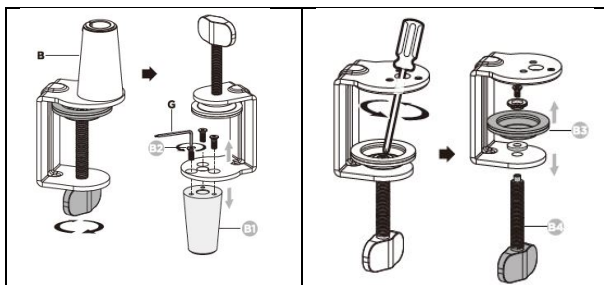
3. Mounting instruction

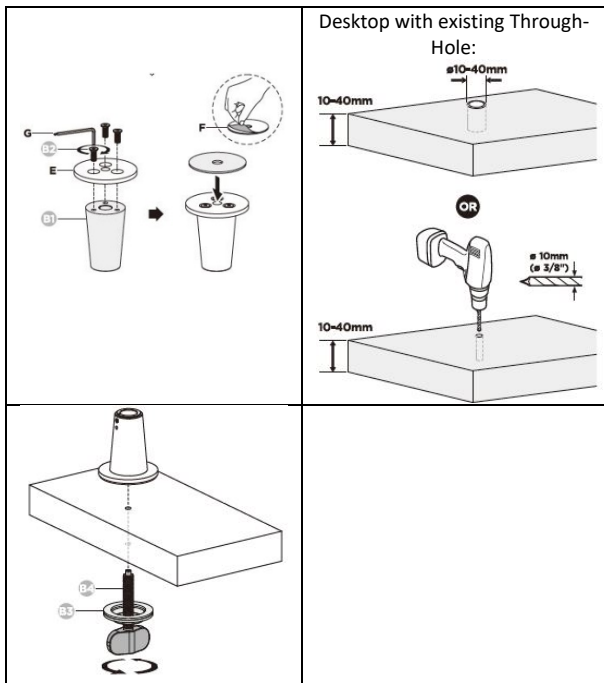
Clamp Mounting:





Grommet Mounting:





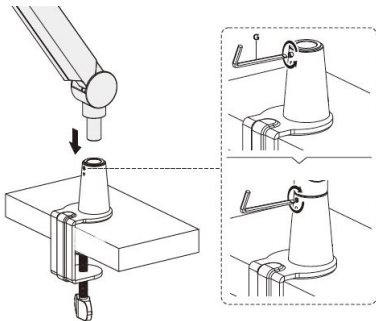
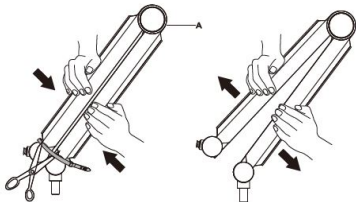
2.)



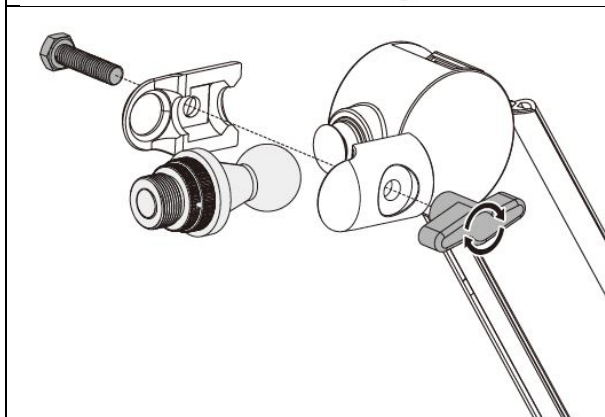
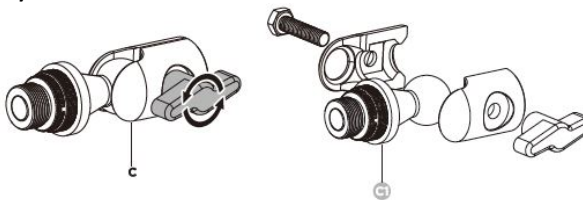
Stored energy hazard!



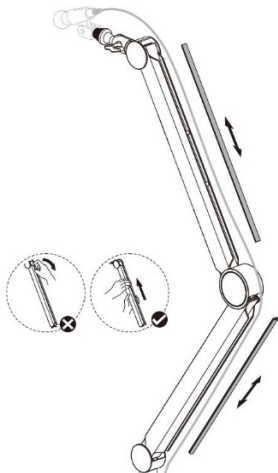
1. Firmly hold the two halves of the spring arm together and have another person cut off the cable tie from around the spring arm.
2. Slowly release the pressure on the spring arm and allow to gradually stretch to its full extension.



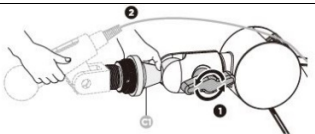
3.)



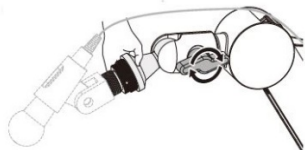
4.)



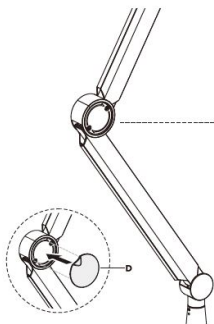
5.)



Hold the Head Joint (C1) and loosen the knob, adjust the microphone to desired position, then tighten the knob.



6.)



Adjust the screw clockwise when the bracket arm can not stand, but do not screw counterclockwise.



Hereby Assmann Electronic GmbH, declares that the Declaration of Conformity is part of the shipping content. If the Declaration of Conformity is missing, you can request it by post under the below mentioned manufacturer address.

www.assmann.com
Assmann Electronic GmbH
Auf dem Schüffel 3
58513 Lüdenscheid
Germany

