



BLUETOOTH “ROCK BASS” SPEAKER



**Quick Installation Guide
DA-10288 DA-10289
DA-10290 DA-10291**

Safety Instruction:

- Please read all the instructions before using.
- Please read all safety warnings
- Please retain this manual safety for future reference.
- Please adjust the volume control to a comfortable level to avoid damaging your hearing and the product

Warning / To reduce the risk of electric shock:

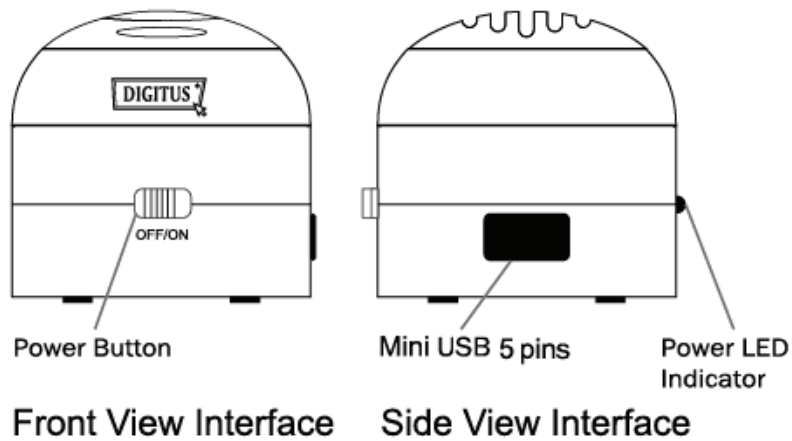
- Do not expose this apparatus to rain or moisture
- Do not use the speaker near water, and do not immerse them in any liquid or pour any liquid on them
- Do not throw the speaker into fire because this will cause personal injury.
- Do not put the speaker in any damp or high-temperature areas
- Do not attempt to open the device
- Do not use harsh chemicals, cleaning solvents to clean the device
- Do not use any charger that is damaged

Package Contents:

- 1 x Bluetooth Speakers
- 1 x USB charging adapter
- 1 x Quick Guide

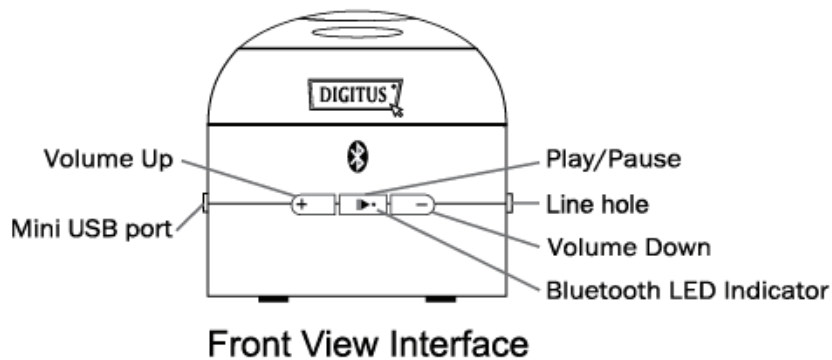
Master Unit

with Power switch



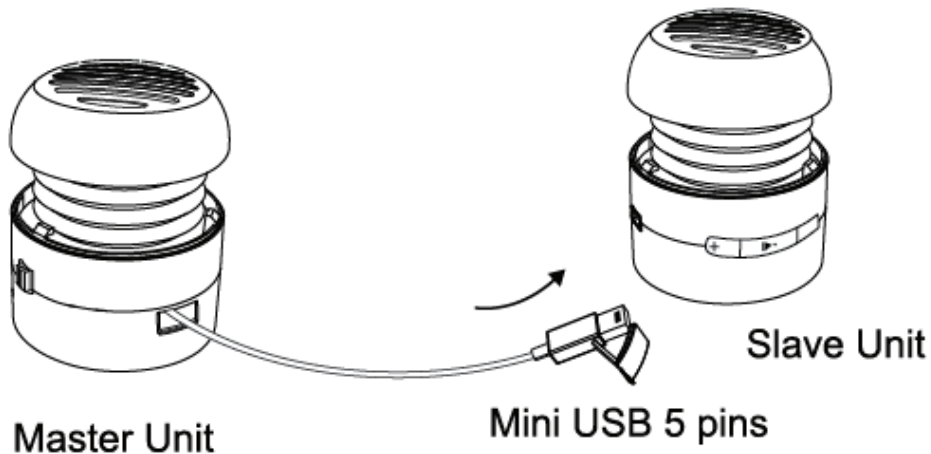
Slave Unit

with Bluetooth Interface side

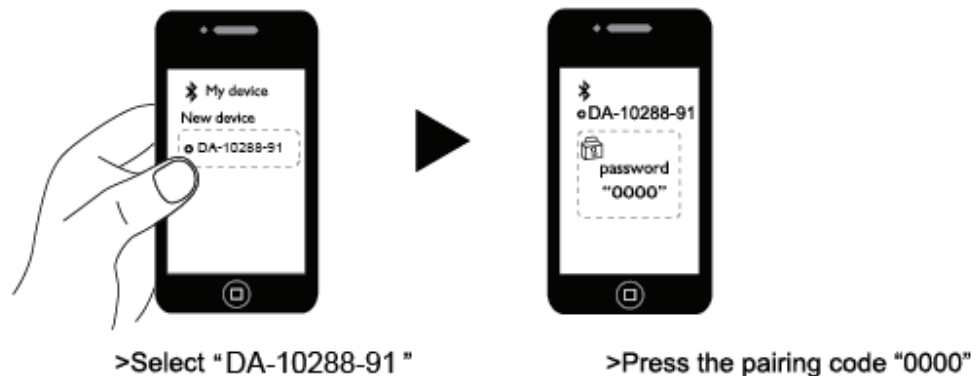


Operating Speaker:

1. Connect



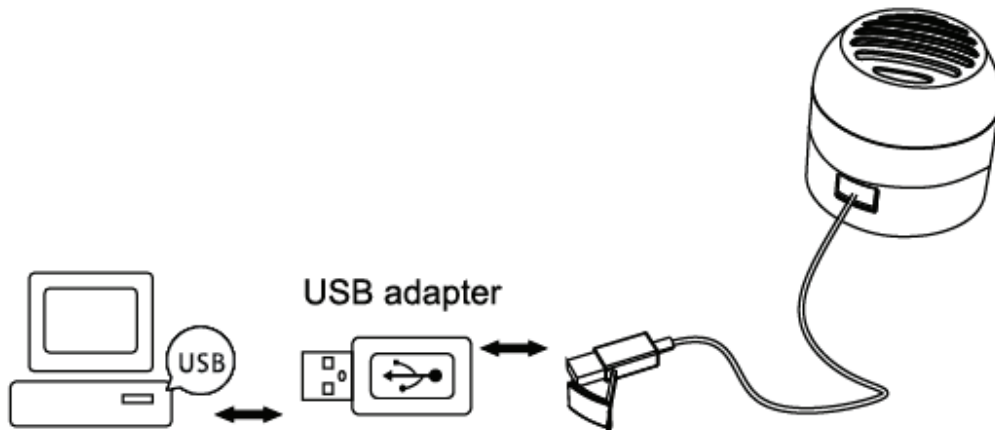
2. Pair and connect the portable speaker to the Bluetooth device
 - a. Turn on the master unit's power switch
 - b. Slave unit's Bluetooth LED would flash with blue color.
 - c. Turn on your device Bluetooth settings, and wait for the search pairing.
 - d. Look for "DA-10288-91" and select it
 - e. Enter pairing code "0000" if required.



- f. Now you are ready to turn on and play your favorite music from your device

How to Recharge:

- When power LED turns red, start recharging
- When power LED turns back to blue, it's fully charged



Troubleshooting:

If the Bluetooth speaker does not work, try the following:

- When in low state battery power, users may hear the noise or the shut off of the Bluetooth auto indicator during playing, be sure to recharge the battery power immediately.
- Ensure the Bluetooth connection is established within 60 seconds, otherwise, please turn off the speaker and restart again following the guide
- Ensure connecting devices are charged and not in low battery state
- Ensure devices are within 10 meters range
- Ensure the Bluetooth speaker is connected by checking the blue LED flash

Specification:

Bluetooth: 2.0+EDR with A2DP / AVRCP

Output Power: RMS 4W, Max 8W

Dimensions: 53 x 53 x 50mm x 2

Speaker driver size: ϕ 36mm

Netweight: 220g

S/N ratio: \geq 70dB

Speaker impedance: 4Ohms

Frequency response range: 100 Hz-20KHz

Playback time: up to 8 hours

Battery / Capacity: 500mAh