



BoomP!II

Bluetooth® Speaker



Manual

33033

Thanks for choosing Ednet 33033 Boom P!!! Bluetooth speaker. Please kindly read the below instruction before your first use.

FEATURES

- Bluetooth® Version 2.1
- Output power (RMS): 3 W
- Volume control buttons
- ON/OFF button
- Crystal Clear sound quality
- Built-in shutter camera function (Selfie mode) for photos via Bluetooth for mobile devices like smartphones or tablets
- Hands-free function with built-in microphone
- Built-in re-chargeable Lithium-Polymer 300mAh battery
- Medium power consumption for playing continually up to 4 hours
- Ideal for traveling, easy installation

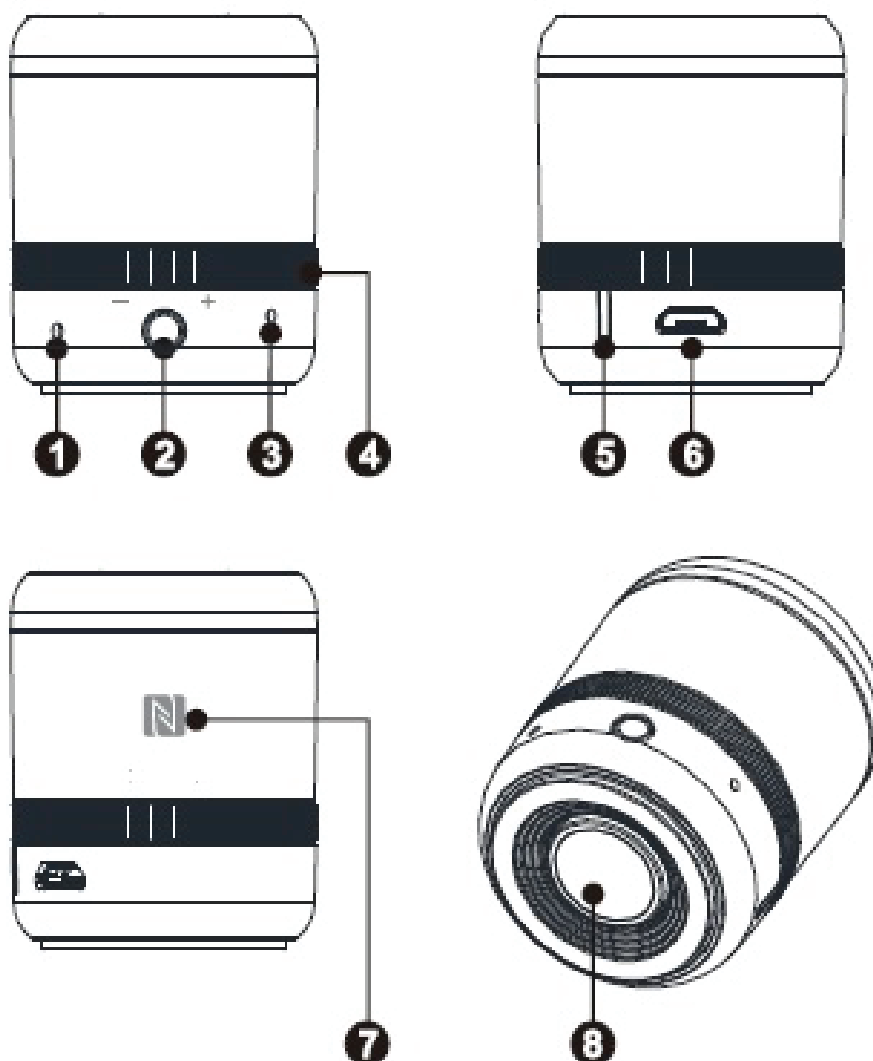
PACKAGE CONTENT

BoomP!!! Bluetooth® Speaker: 1pcs

Micro USB charge cable: 1pcs

User manual: 1pcs

PRODUCT OVERVIEW



1. Microphone
2. Line in
3. Reset
4. Volume +/-
5. Indicator light
6. Charging of battery
7. NFC
8. Power on/off
Play/pause
Answer call/hang up call/reject call
Shutter camera

OPERATION INSTRUCTION

Ednet 33033 Bluetooth® speaker is compatible with the iPhone®, iPad®, smartphone, tablet, etc. Also support A2DP Bluetooth® system.

Pairing

1. Please check Ednet 33033 if the unit is fully charged or not before you first using.
2. Press button "8" for 3 seconds, the blue and red LED flashes alternately. The 33033 is now ready for pairing.
3. Please search the pairing name "33033" from your Bluetooth device and press the connection.
4. If the indication light remains in blue, it means the unit is connected.

Remarks:

Ednet 33033 speaker has auto-connect function. It will be automatically selecting device which was ever connected successfully to connect after start-up in 30 seconds.

This product also has auto-shut-off function, so it will shut off if without any operation in 5 minutes after start-up.

NFC

Make sure the smartphone device has NFC function, and open it. Then put the device to touch the speaker's NFC logo and press "enter" to connect, once it succeed, it will be connecting quickly.

BUTTON FUNCTIONS

1. Power ON/OFF:

Press the button “8” at least for 3 seconds to power on the Ednet 33033 speaker. The blue and red LED flashes alternately. Press the button “8” at least for 3 seconds to power off, when the speaker is on.

2. Play/Pause:

Short press the button “8” to pause (blue indication light keeping flashes), and press again to continue music playback when the speaker is playing.

3. Answer/hang up call:

When a call is coming, short press button “8” to answer a call. And short press again to hang up the call. Long press is to reject a call.

4. Shutter camera:

When speaker connected with the mobile device via Bluetooth, double-click button “8”, then you will hear a long high sound which reminds you that the speaker is going to the “PHOTO-SELF” mode. You can open your camera APP from your smart phone, short press to take photo. If you wanted to close it, you only double-click button “8” again to exit and back to music mode.

5. Volume +/-

When speaker is playing, turn right to increase the volume, and turn left to decrease the volume.

6. Line in

Connect your Smartphone or audio device with the 3.5mm socket of the speaker. First turn ON your Smartphone or audio device and the speaker. Start the audio playback from your Smartphone or audio device. You can listen to the audio playback over the speaker. To stop the audio playback, unplug the 3.5mm cable from the speaker.

Remarks: Under playing mode of line in, press the button of play and pause could mute.

7. Reset

Short press button "3" to reset speaker

8. Charging of battery

Plug in the Micro USB cable to Micro USB slot of the speaker. Then connect the USB port to the USB slot of PC or USB 5V charging adapter. Charging time is approximately 1.5 hours. During the re-charging of the battery, the red LED lights are continuously. When the speaker is fully charged, the red LED turns off.

PRODUCT SPECIFICATIONS

- Model No.: 33033
- Output: 3W
- Driver size: Φ 31mm*1
- Power amplifier SNR: \geq 65dB
- Bluetooth: V2.1+EDR
- Battery: 3.7V 300mAh Li-polymer rechargeable battery
- Frequency range : 250 Hz - 20K Hz
- Formats: Mp3 : 8Kbps~320kbps
- Product size: Φ 37.3mm*H43.8mm
- Weight: 41g

Warnings

1. Only charge the speaker with the provided original Micro USB charging cable.
2. Do not attempt to disassemble the speaker, it may result in short-circuit or damage.
3. Do not drop or shake the speaker, it may break internal circuit boards or mechanics.
4. The speaker should be kept in dry and ventilated environment, please avoid high humidity and high temperature.
5. Batteries should not be exposed to excessive heat or direct sunlight.
6. Keep the surface of the speaker clean, but do not use organic solvents to clean.
7. Please keep the speaker away from little children.