



Slim Line Aluminum Power Bank

(10000 mAh)



User Manual

31900 (rose gold) • 31901 (silver)

The mobile spare battery looks impressive with its classy aluminum housing. The powerful lithium-ion battery with 10.000 mAh and the two USB ports enable two mobile devices to be simultaneously charged in next to no time. Effortlessly charge a tablet and a smartphone, for example, using the two USB ports. The integrated LED charging state indicator provides information on the charging state of the PowerBank during charging or discharging. Thanks to its classy design, the ednet Slim Line Aluminum Power Bank is the ideal companion for home or office. The mobile charger is charged via the USB port from a Notebook/PC or alternatively with a charging adapter (31811, 31810, 31809) from the power outlet by using the included charging cable or an existing cable. The Power Bank charges a smartphone up to 4.5 times and a tablet 1.5 times. Call time is extended by up to 14 hours. Use the “ednet Slim Line Aluminum Power Bank” to recharge your mobile devices in no time at all when you’re on the go.

Technical Features:

1. Capacity: 10.000 mAh
2. Input: 5V/2A (max.)
3. Output: 5V/1A & 2.1A (max.)
4. Size: 150 x 70 x 14 mm
5. Net Weight: 270 g
6. Material: Aluminum
7. Color: Silver/Grey/Gold/Rose Gold
8. Charging Time: about 10 hours
9. Life Time: ≥ 500 times

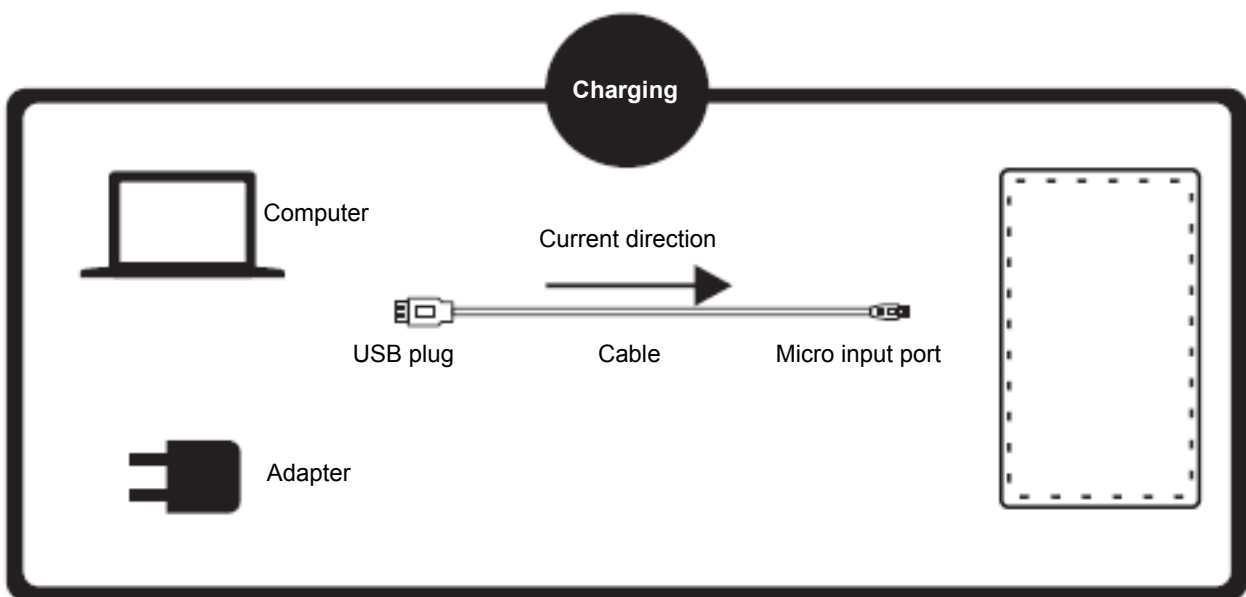
- This product is a portable charger/spare battery; it can be used to charge: smartphones, tablets, MP3/MP4 player, PSP, cameras, speakers, etc.
- Input Interface is Micro USB
- Built-in high quality Li-Po battery
- Output Interface is USB A, compatible with all of digital devices. Output current is 5V, with built-in short circuit protection to control the input and output intelligently. (Built-in LED flashlight function)

Power Bank Charging:

1. Press the "ON" button to detect the remaining power capacity. Please check the below indication for detail:

Indicator	1 light	2 lights	3 lights	4 lights
Remaining Power	<25%	25%-50%	50%-75%	75%-100%

2. (1) Connect the Micro USB plug of the charging cable with the micro interface of your power bank.
(2) Connect the power adapter to your power bank with the USB charging cable.



Attentions:

1. It takes about 5-8 hours to charge the device fully, but the exact time depends on the way of charging: via power outlet or USB port of PC/Notebook
2. If your devices can't be charged by power bank, please check if the USB cable works well or has been plugged in correctly

3. These are conversion rates for the power bank, so the power bank's capacity is not equivalent to its rechargeable capacity.
 4. If some of the power bank's LED indicators don't work, please charge the power bank for about 1 hour, it will work again.
-

Warning:

1. Please use the standard USB charging cable or device vendor cable to charge the digital device.
2. Please charge the power bank fully when using it for the first time
3. Please check input current and voltage of digital device before charging, and choose the right USB interface and USB charging cable
4. Don't drop, impact, and decompose the power bank.
5. Don't put the product into the water
6. Don't put the product into the fire
7. Don't use the product around combustible gas

Hereby ASSMANN Electronic GmbH, declares that this device is in compliance with the requirements of Directive 2014/30/EU and the Directive 2011/65/EU for RoHS compliance. The complete declaration of conformity can be requested by post under the below mentioned manufacturer address.

Warning:

This device is a class B product. This equipment may cause some radio interference in living environment. In this case, the user can be requested to undertake appropriate measures to prevent interference.

www.assmann.com

ASSMANN Electronic GmbH
Auf dem Schüffel 3
58513 Lüdenscheid
Germany

