



Power Bank
10000 mAh



Manual
31888

I. Introduction

This product is a lightweight, high capacity, stylish and environmentally friendly mobile power bank for most portable devices that can be used anytime or anywhere. The product adopts high-performance Lithium-Ion batteries. The supplied micro-USB cable not only charges the Power bank but I can also be used to charge devices with micro-USB inputs 5V/2.1A(max). Provides adequate back-up power anywhere you go.

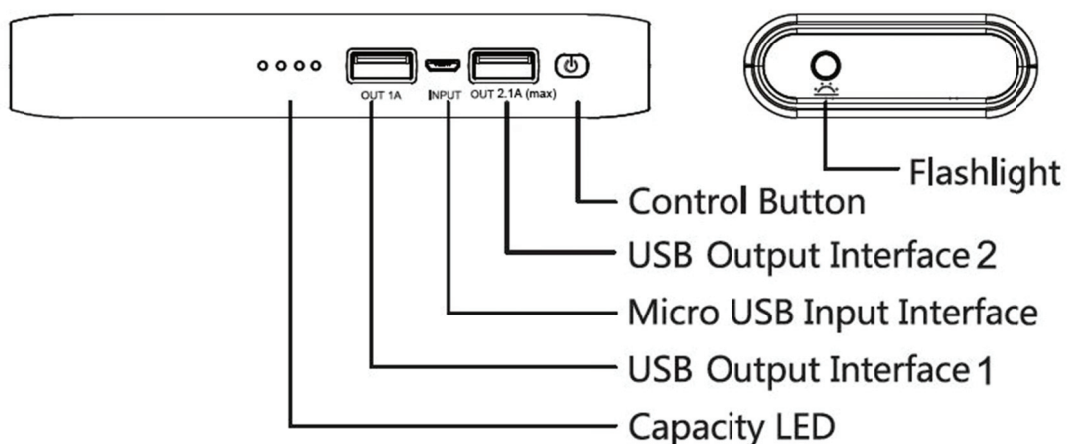
II. Application

- Suitable for most smartphones and tablet
- iPhone®/iPad®/iPod®
- Digital cameras
- Other mobile digital devices
- Dual Output, can charge two (2) device simultaneously
- Standard USB interface output is compatible with most USB charging devices

III. Performance

- Provides adequate back-up power anywhere you go.
- Plug & play
- Dual Output, can charge two (2) device simultaneously
- Flashlight
- Auto-Off when there is no attached device being charged.
- Short-circuit, over charge, over discharge and leakage protected.
- High conversion efficiency with intelligent protection for the lithium battery.

IV. Product Overview



V. Technical parameters

ITEM	SPEC.	Features
Capacity	10000mAh	High-energy green Lithium-ion battery cells
Input Voltage	DC 4.75~5.25V	Smart managing system voltage input
Input Current	2 A (MAX)	Smart managing system currency input
Rated Output Voltage	DC 5.0V±0.25V	Smart detecting voltage output management system
Output Current	USB 1: 1 A USB 2: 2.1 A (MAX)	Smart detecting currency output management system

ITEM	SPEC.	Features
Charging time	6~8H(about)	Quick smart large currency charging
Static power consumption	≤100μA	Static low power consumption output management system
LED lighting	151m@60mA×3	Cold, White
Cycle life	≥300Times	300 or more cycle
Size	142x65x23mm	Case
Net Weight	280g(about)	Product net weight (without accessories)
Accessories	USB Cable、 Manual	

VI. How to use

Power Display

Press the control button, the LED indicator lights will display the remaining charge. LED indicator automatically turns off after 10 seconds.

Four LED light: 75% - 100% remaining charge

Three LED light: 50% - 75% remaining charge

Two LED light: 25% - 50% remaining charge

One LED light: 0% - 25% remaining charge

Charging the Unit

The power bank can be charge using the supplied micro-USB cable either a PC USB port (Figure 2) or any standard USB charger (Figure 1) with a rated output of 5V/2.1A (max). During charging the LED indicators will cycle, charging is complete when all 4 LED remains ON.

Charging your mobile devices

Use the supplied micro-USB cable to charge compatible devices 5V/2.1A (max). You may also use the mobile device's original USB cable for charging (Figure 3)

LED flashlight

Press control button for 3 seconds, the LED flashlight will turn on. Then press the button again for another 3 seconds, the LED flashlight will turn off.

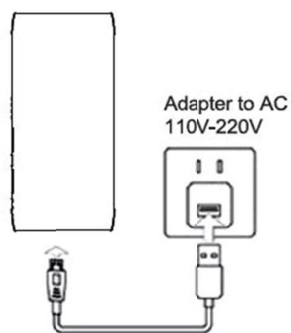


Figure 1
Adapter Charging

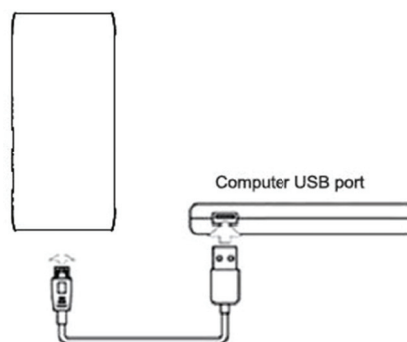


Figure 2
USB Charging

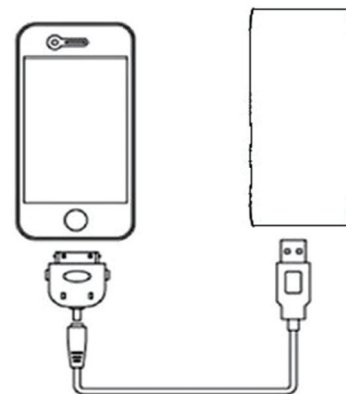


Figure 3
Charging Mobile phone

VII. Notice

To ensure the product's safe operation, please read the manual carefully before using.

Attention

- This product uses built-in Lithium-Ion battery, do not use metal objects to short circuit the product in order to avoid equipment failure and security risk.
- Do not expose in hot or humid environment
- Do not attempt to open, risk of fire or electrical shock, no serviceable parts inside
- Do not use incompatible power supply other than the specified maximum input of 5V/2.1A.
- Do not drop or puncture, there is a risk of fire or explosion

Terms of Use

- Charge the battery for the first time or if not used over a long period of time. Charge 8 to 10 hours for full capacity.
- Operating temperature is -10°C to 45°C. For best charging results use the product in room temperature of 20°C to 25°C.
- During charging the product will be warm to the touch, this is normal and not a malfunction.
- If not used over a long period of time, it is required to charge the product once every 3 months to maintain charging properties.
- Stored power will self-discharge as a safety feature of the product, when ready to use, please charge again.
- Clean with a dry cloth, do not use corrosive liquid or substance when cleaning the unit.