



HDMI EXTENDER SPLITTER SET, 1X4



Manual DS-55303

The Digitus HDMI Extender Splitter Set, 1x4 offers an extender and splitter solution of up to 40 m for the highest demands. It is used to transmit digital video and audio signals to a maximum length of up to 40 m and to distribute them to up to four monitors/screens. The highest supported video resolution is 1080p / 60Hz. The transmitter unit features an EDID switch, which can be used to regulate resolution and audio format of the output signal. The transmitter also has an HDMI Loop Out Port, which allows you to connect a local monitor. Thanks to PoC (Power over Cable) support, it is only the transmitter unit that needs to be powered. The package includes four infrared units (1x transmitter, 4x receivers), which can be used for the remote control of the connected input source.

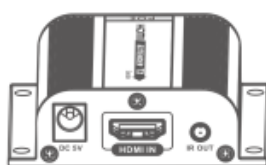
Important Safety Instructions

1. Do not mix up the Transmitter and Receiver, and the IR blaster and IR receiver.
2. Do not plug-in/out the cables, when it is in using.
3. Use DC 5V power supply only. Make sure the specification matched if using 3rd party DC adapters.
4. Support power from transmitter to receiver unit over the CAT6 cable.

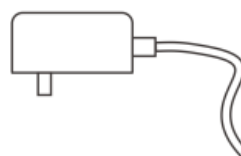
Package Contents



Transmitter unit ×1pcs



Receiver unit ×4pcs



DC5V/3A ×1pcs



User Manual ×1pcs



IR blaster extension
cable ×1pcs



IR receiver extension
cable ×4pcs

Features

1. Distribute 1 HDMI source to 4 HDMI displays over network cable simultaneously.
2. Support one HDMI Loop-out.
3. Compatible with CAT6/6a/7 network cables.
4. The transmission distance is up to 40m/131ft.
5. The highest resolution supported is 1920x1080@60Hz.
6. Support 20~60KHz IR pass back.
7. Support EDID setting function.
8. Support power from transmitter to receiver unit over the CAT6 cable.
9. Plug and Play.
10. Wall-mounted function, easy installation.

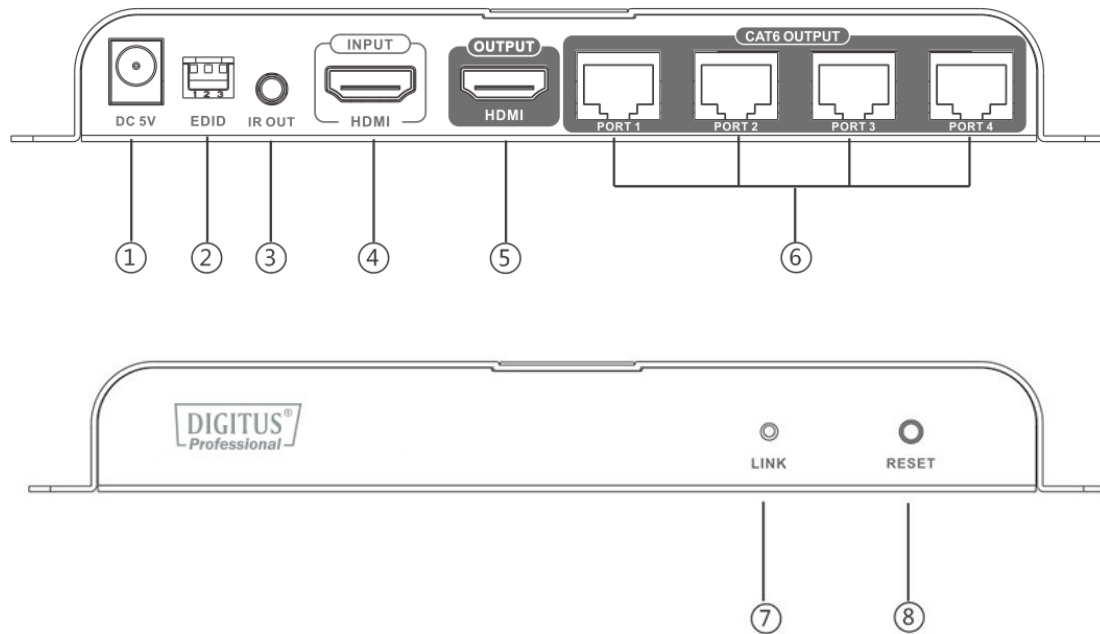
Specification	
Part No.	DS-55303
Technical	
Input	HDMI×1 (Type A, 19 pin, female)
Output	RJ45×4
Transmission distance	40 meters via CAT6
Video support	480i@60Hz, 480p@60Hz, 576i@50Hz, 576p@50Hz, 720p@50/60Hz, 1080i@50/60Hz, 1080p@50/60Hz
Audio format	PCM DTS AC3
TMDS signal	0.5~1.5Vp-p (TMDS)
DDC signal	5Vp-p (TTL)
IR pass-back function	Support
IR frequency Range (KHz)	Support 20~60KHz IR frequency devices
HDCP	HDCP1.4
Mechanical	
Housing	Metal enclosure
Dimensions (L×W×H mm)	TX: 190(L) x 95.9(W) x 23.9(H) mm RX: 71.6×66.6×22.6mm
Weight	TX: 0.48kg RX: 0.08kg x 4pcs
Fixedness	wall-mounting case with screws
Power supply	5V/3A
Power consumption	<15W
Operation temperature	0~60°
Storage temperature	-20~70°
Relative humidity	20-90% (no condensation)

Installation Requirements

1. HDMI source device (computer graphics card, DVD, PS3, HD monitoring equipment etc).
2. HDMI display device like SDTV, HDTV, and projector with HDMI port.
3. UTP/STP CAT6/6A/7 cable, follow standard IEEE-568B.

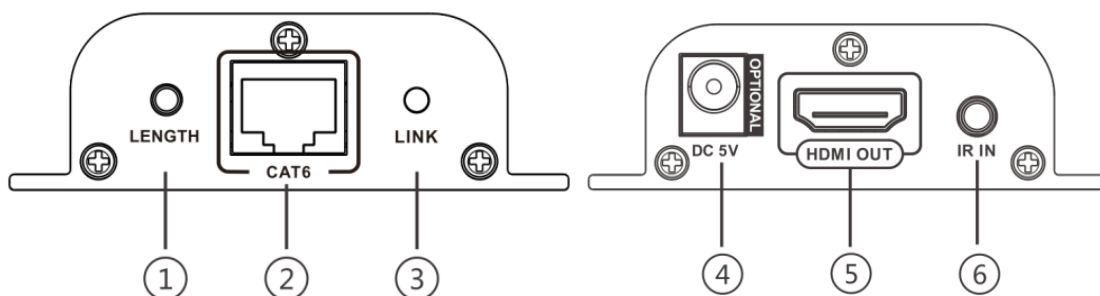
Panel Description

1. Transmitter unit (TX)



- ① Power input (DC5V)
- ② EDID dip switch
- ③ IR signal output to connect with blaster extension cable
- ④ HDMI input
- ⑤ HDMI output
- ⑥ RJ45 signal output
- ⑦ Power/signal indicator
- ⑧ Reset button

Receiver unit (RX)



- ① LENGTH: for adjusting to the length of network cable
- ② RJ45 signal input
- ③ RJ45 indicator led it lights on all the time with HDMI signal transmission, flashes with no signal transmission
- ④ DC5V power input (OPTIONAL)
- ⑤ HDMI signal output
- ⑥ IR signal input to connect with IR receiver extension cable

Remarks: The LENGTH key is designed for switching between automatic and manual setting to adjust cable length. Powered on without any operation, extender works with parameter set and memorized before. Powered on and then press LENGTH key, the first two press, it will enter automatic mode to adapt cable length. The following 12 times of pressing, it will enter manual mode in 12 levels to meet different cable length. After all 12 levels of press, it will entering auto mode again and into next loop.

Installation Procedures

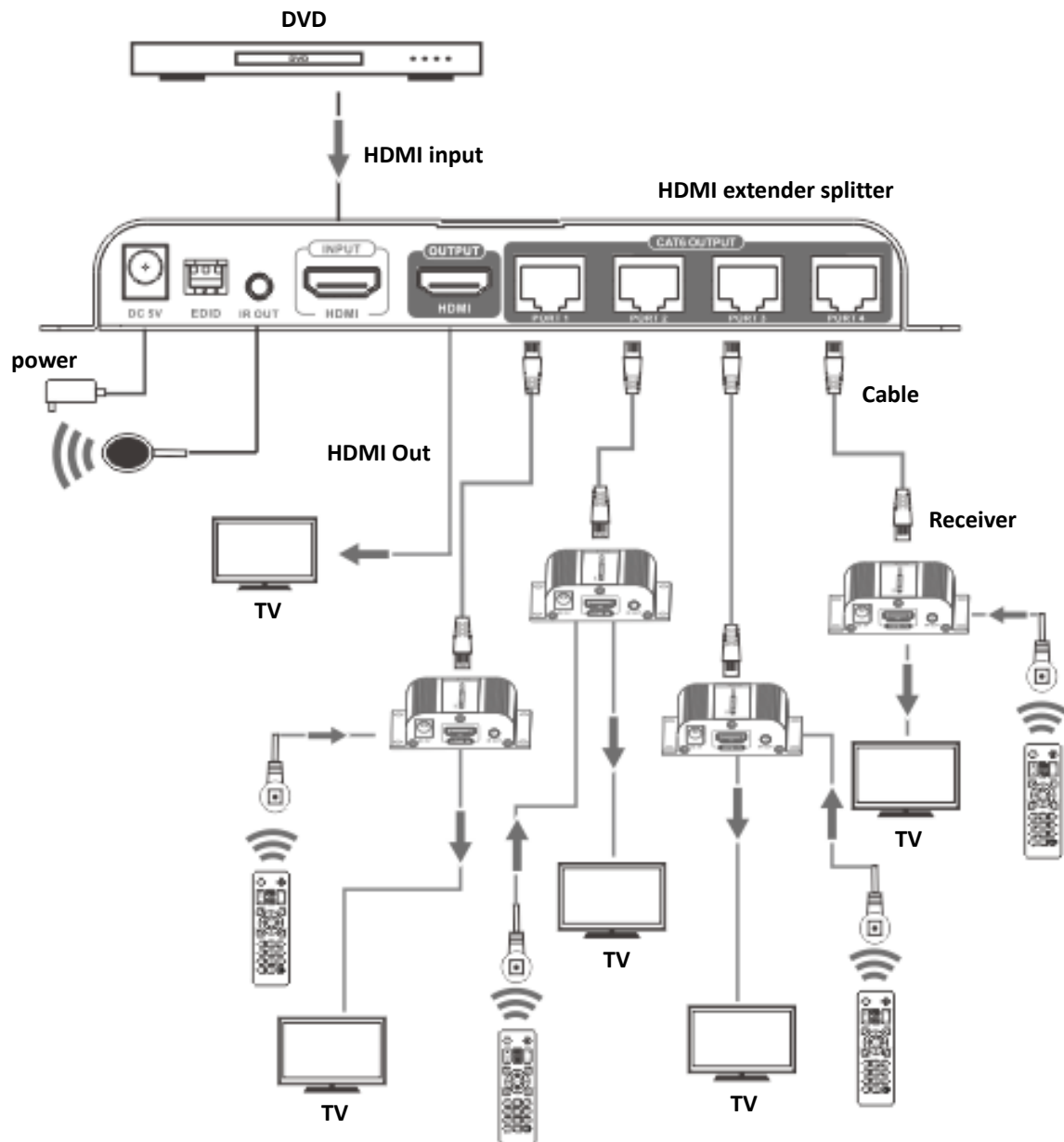
1. How to make a CAT5/5E/6 network cable



Follow the standard of IEEE-568B:

- | | |
|-----------------|-----------|
| 1- Orange/white | 2- Orange |
| 3- Green/white | 4- Blue |
| 5- Blue/white | 6- Green |
| 7- Brown/white | 8- Bro |

2. Connection



Remarks: Please do not remote control two or RX units' IR cable at the same time, which to avoid interference.


3. Connection instruction:

- 1) Connect the HDMI signal source device to the Transmitter HDMI input port with HDMI cable.
- 2) Connect IR blaster to EXTENDER IR OUT
- 3) Connect the Transmitter RJ45 port to HDMI EXTENDER RX's Rj45 input port by network cable.

- 4) Connect HDMI EXTENDER RX's HDMI output port to HDMI display's HDMI input port by HDMI cable and set the HDMI display's signal source to be HDMI port.
- 5) Supply the power (Power's signal light is red, when there are signal input then the power light is blue), the product will work.

4. EDID Setting

- 1) HDMI source device reads the EDID information of the transmitter (TX) and then output the relative HDMI signal format.
- 2) There are 8 build-in EDID status, and others could be selected by the EDID switch in the HDMI extender splitter (transmitter), the detail Setting Information shown as below:

 Switch UP: Use the Arabic numeral "1" to represent

 Switch DOWN: Use the Arabic numeral "0" to represent

	SW1	SW2	SW3	EDID Mode
Switch Status	0	0	0	720P@50Hz 2.1CH
	1	0	0	720P@50Hz 7.1CH
	0	1	0	1080i@60Hz 2.1CH
	1	1	0	1080i@60Hz 7.1CH
	0	0	1	1080P@60 2.1CH
	1	0	1	1080p@60Hz 7.1CH
	0	1	1	Read Loop-out (if not connect the loop-out show default)
	1	1	1	Default 720P@50Hz 2.1CH

FAQ

Q: No image or audio output on display?

A:

- 1) Please check whether display on standby mode;
- 2) Please check whether display HDMI signal channel in accord with HDMI input port
- 3) Please check whether "LINK" LED on RX side keeps on, LED flash means RX does not receive signal from TX.
- 4) Please check whether signal indicator LED on TX turns blue, LED on red means no input signal
- 5) Please check whether input resolution is supported by this product.

Q: Image unstable?

- A:**
1. Press the "LENGTH" or "RESET" button on the transmitter to re-identify the signal;
 2. Please pull & plug CAT cable on corresponding port to reconnect.

Q: Only partial ports have output?

A:

1. Please check whether CAT cable or HDMI cable connected correctly
2. Press the "LENGTH" or "RESET" button on the transmitter to re-identify the signal;
3. Please pull & plug CAT cable on corresponding port to reconnect.

Disclaimer

The product name and brand name may be registered trademark of related manufacturers.™ and ® may be omitted on the user manual. The pictures on the user manual are just for reference, and there may be some slight difference with the real products.

We reserve the rights to make changes without further notice to a product or system described herein to improve reliability, function or design.

Hereby Assmann Electronic GmbH, declares that the Declaration of Conformity is part of the shipping content. If the Declaration of Conformity is missing, you can request it by post under the below mentioned manufacturer address.

www.assmann.com

Assmann Electronic GmbH

Auf dem Schüffel 3

58513 Lüdenscheid

Germany

