



## Mini HDMI Extender, Full HD



### Manual DS-55203

#### Product Introduction

This HDMI Extender includes a transmitter unit (TX) and a receiver unit (RX), working as a pair. It allows for transmission and extension uncompressed full HD1080p@60Hz HDMI signal via CAT6/6A/7 network cable, the transmission distance is up to 50 meters with zero latency. This product is perfect for AV transmission in applications of HD conference system, HD video shooting, HD multimedia education system, home entertainment and signage etc.



## Important Safety Notice

Please read below safety instructions carefully before installation and operation:

1. Do not mix up the transmitter unit (TX) and the receiver unit (RX) before installation.
2. Do not hot plug when it is working.
3. No extender power supply needed, use micro USB cable to power the transmitter, and receiver is powered from transmitter.
4. Please do not use other accessories to power the products.
5. If it is found that it's unstable when powered by USB cable directly, please add a 5V plug (with USB port) to connect with the USB cable for power supply.

## Product Feature

1. Portable size design.
2. Support HDMI1.3, compatible with HDCP1.2
3. Resolution supported is up to full HD 1080p@60Hz.
4. Use CAT6/6A/7 for long distance transmission up to 50 meters
5. Uncompressed and zero latency.
6. Micro USB cable for power, support receiver powered from transmitter.
7. Plug and play, without installation.

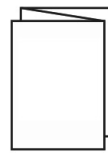
## Package Contents



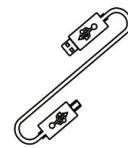
Transmitter unit  
(TX) x1pcs



Receiver unit (RX) x1pcs



User manual x1pcs



USB Cable x2pcs

## Specification

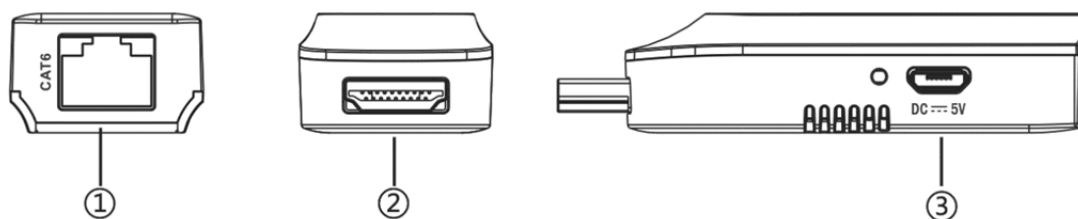
Item		Description
Model		DS-55203
HDMI Performance and Interface	HDMI version	HDMI1.3
	HDCP version	HDCP1.2
	Supported video resolution	480i@60Hz, 480p@60Hz, 576i@50Hz, 576p@50Hz, 720p@50/60Hz, 1080i@50/60Hz, 1080p@50/60Hz
	Supported audio formats	L/R Stereo Audio
	Input Maximum transfer rate	10.2Gbps
	Input cable length	≤5m (AWG26 HDMI cable support HDMI1.3)
	Output cable length	≤5m (AWG26 HDMI cable support HDMI1.3)
	input and output TMDS signal	0.5~1.5Vp-p(TMDS)
	input and output DDC signal	5Vp-p(TTL)
Protection Level	ESD protection	1a (contact discharge) level 3
		1b (air-gap discharge) level 3
		International Standard: IEC61000-4-2
Operating Environment	Operating temperature	(0°C ~ 50°C) 32°F ~ 122°F
	Storage temperature	(-20°C ~ 60°C) -4°F ~ 140°F
	Relative humidity	0 ~ 90% RH (Non-condensing)
Body Properties	Dimension	71.35(L) x 25.9(W) x 11.05(H) MM
	Material	ABS Plastic
	Color	Black
	Weight	TX: 10g RX:10g
	Mean Time Between Failure (MTBF)	>30000Hours

## Installation Requirements

1. HDMI source device  
(computer graphics card, DVD, PS3, HD monitoring equipment...etc.)
2. HDMI display device like SDTV, HDTV, and projector with HDMI port.
3. UTP/STP CAT6/6A/7 cable, follow standard IEEE-568B.

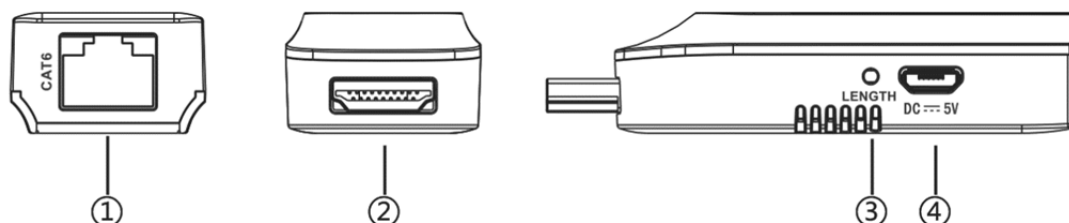
## Panel Description

### 1. Transmitter unit (TX)



①	RJ45 signal output	Output encoded HDMI signal
②	HDMI input	Connect with the source device
③	Power input	Connect with the USB cable

### 2. Receiver unit (RX)



①	RJ45 signal input	Input encoded HDMI signal
②	HDMI output	Connect with the display device
③	LENGTH button	For adjusting the unit to self-adapt to the length of network cable
④	Power input	Connect with the USB cable (optional)

**Remarks:** Users can press button “Length” to adjust the transmission distance of this device automatically or manually. If users do not press this button when power on, then the device will work like last time because of memory function. If users press this button after power, on the first “two times” press will make the device adjust the distance according to the network cable length automatically. After the “two times” press, if users continue to press this button, it will go to the mode of adjusting the transmission distance manually. There are 10 levels to tally and adding one more press means a new level. When users finish the 10 levels adjusting manually it will be back to adjust transmission distance automatically mode and into the new loop.

## **Installation and Connection**

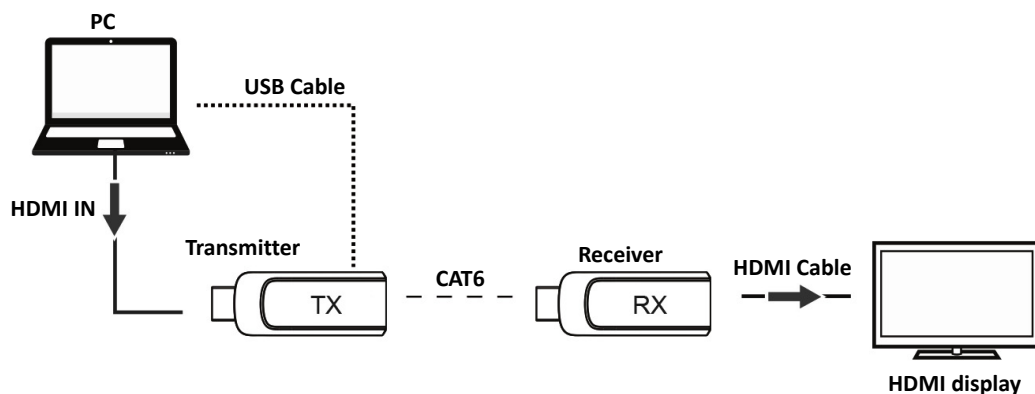
### **A. How to make a CAT6/6A/7 network cable**



#### **Follow the standard of IEEE-568B:**

1. White and orange
2. Orange
3. White and green
4. Blue
5. White and blue
6. Green
7. White and brown
8. Brown

## B. Connection



## C. Connection instruction

- Plug the transmitter unit (TX) to the HDMI output port of the source device directly, and plug the receiver (RX) to the HDMI input port of the display device directly.
- Connect Transmitter unit (TX) and Receiver unit (RX) via network cables (CAT6, CAT6A or CAT7).
- Connect the USB cable to Transmitter unit only, each unit will be powered up, this HDMI extender works.

**[NOTE]** It is recommended to use a length range within 15~50m network cable. If the CAT6 cable is too short, there may be no display output because of the signal is too strong. If the CAT6 cable is too long, the output may be with poor quality.

## FAQ

**Q: No image output or audio and video display is not normal?**

A: Press receiver "LENGTH" button for adjusting this unit to self-adapt to the length of network cable.

**Q: No image output?**

- A:
- 1 Please make sure that the network cable is made according to the standard of IEEE-568B.
  - 2 Check and make sure there is HDMI signal input to the transmitter.
  - 3 Press Receiver "LENGTH" button to adjust this unit to self-adapt to the length of network cable.
  - 4 Make sure HDMI cable is well connected with TV.
  - 5 Make sure the network cable is fine copper wires.

## Disclaimer

The product name and brand name may be registered trademark of related manufacturers. TM and ® may be omitted on the user manual. The pictures on the user manual are just for reference, and there may be some slight difference with the real products. We reserve the rights to make changes without further notice to a product or system described here in to improve reliability, function or design.

This is a Class A product. In home environment, this product may cause radio interference. In this case, the user may be required to take appropriate measures.

Hereby Assmann Electronic GmbH, declares that the Declaration of Conformity is part of the shipping content. If the Declaration of Conformity is missing, you can request it by post under the below mentioned manufacturer address.

**[www.assmann.com](http://www.assmann.com)**

Assmann Electronic GmbH

Auf dem Schüffel 3

58513 Lüdenscheid

Germany

