



HDMI VIDEO EXTENDER



Manual

DS-55120 • DS-55121 (Receiver only)

HDMI Extender over Single UTP CAT5e/CAT6 TCP/IP 1080p (Up to 120 Meters) with IR

1.0 INTRODUCTION

The DIGITUS HDMI over CAT 5 / IP Extender (DS-55120) is a powerful video distribution system for extending HDMI signals. With the system you are able to extend the max. length of the HDMI cable up to 120 m by using a network cable between the transmitter and receiver units (point-to-point connection). In conjunction with a simple network switch and the additional receiver units (DS-55121) you can easily show your video content up to 253 locations via the existing network up to 100 meters (over IP connection). Further the integrated bi-directional IR interfaces enables you to control the input source with a remote control.

2.0 FEATURE

- CAT 5 / IP HDMI extender consisting of transmitter and receiver unit
- For extension up to 120 meters (1 to 1 connection)
- Display your video content to up to 253 screens by using additional receiver units and your existing network infrastructure (over IP connection)
- Additional receiver units (DS-55121) available
- Video resolutions up to 1080p (Full HD)
- Integrated IR-Interface - Easy control of the input source with a remote control
- Supports 3D
- Bandwidth 165 MHz/1.65 Gbps per channel (4.95 Gbps all channels)
- CAT5e/6 - Follow the standard of IEEE-568B
- Operating temperature: 0 to 50°C



3.0 SPECIFICATIONS

Signal input	HDMI Signal
Input Video Signal	0.5-1.0volts/p-p
Output video	HDMI Signal
CAT-6 cable	120m for 1080p
Vertical Frequency Range	50/60Hz
Video Amplifier bandwidth	Max up to 1.65Gbps/165MHz
Interlaced (50&60Hz)	480i,576i,1080i
Progressive(50&60Hz)	480p,576p,720p,1080p
Operating Temperature	0°C to +50°C
Operating Humidity	10% to 85 % RH (no condensation)
Storage Temperature	-10°C to +80°C
Storage Humidity	5% to 90 % RH (no condensation)
Power Supply	5V DC @2A
Power consumption (Max)	8W
AC Power Adapter	EU standard
Certification	FCC,CE
Default IP Settings	Transmitter (TX): 192.168.168.55 Receiver (RX): 192.168.168.56

4.0 PACKAGE CONTENTS

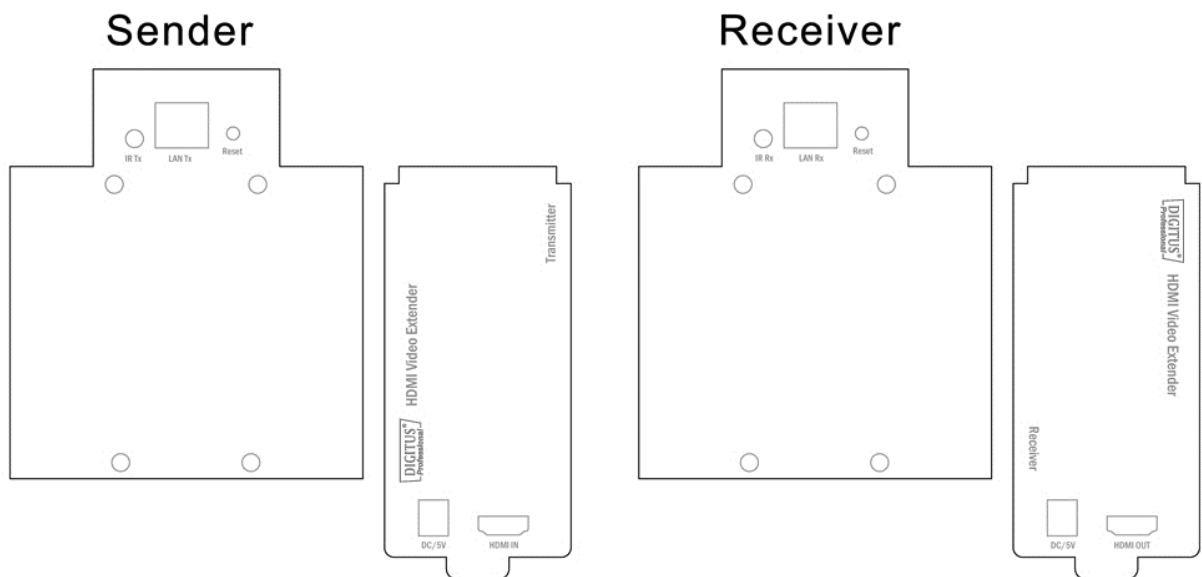
DS-55120

- HDMI Extender, transmitter and receiver unit
- 2 x Power Supply 5 V / 2 A
- 2 x Mounting brackets with screws
- IR transmitter and receiver
- Manual

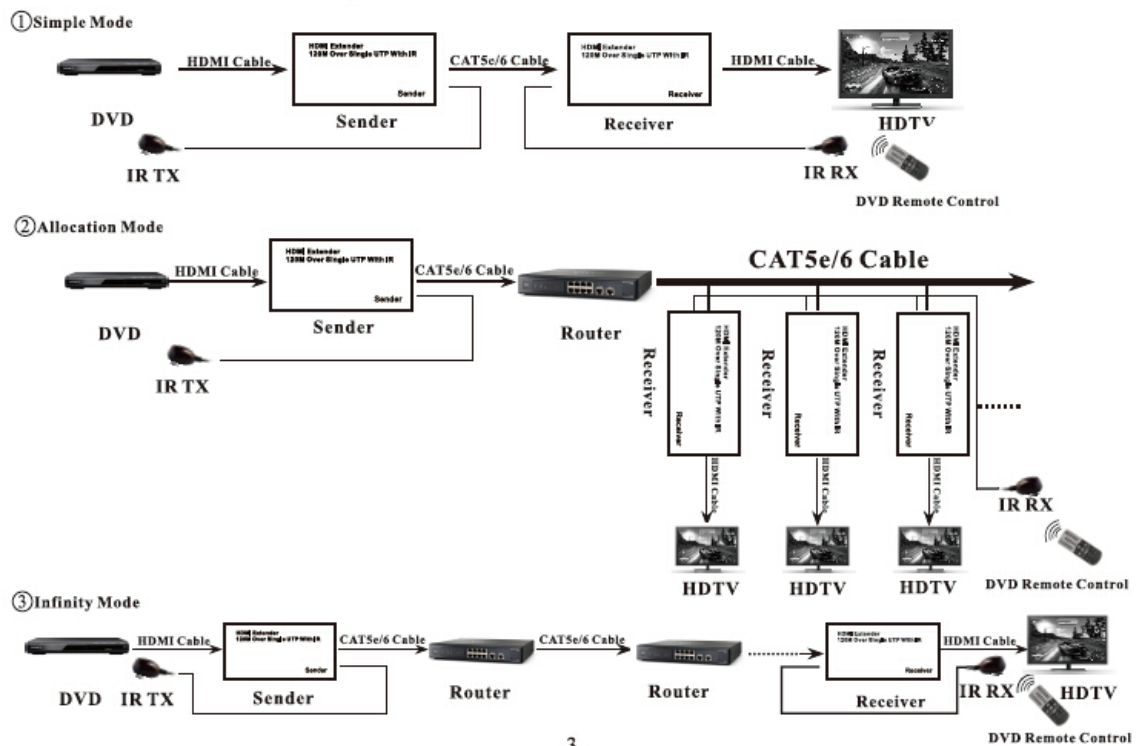
DS-55121 (receiver only)

- HDMI Extender, receiver unit
- 1 x Power Supply 5 V / 2 A
- 2 x Mounting brackets with screws
- IR receiver
- Manual

5.0 PANEL DESCRIPTIONS



6.0 Connection and Operation



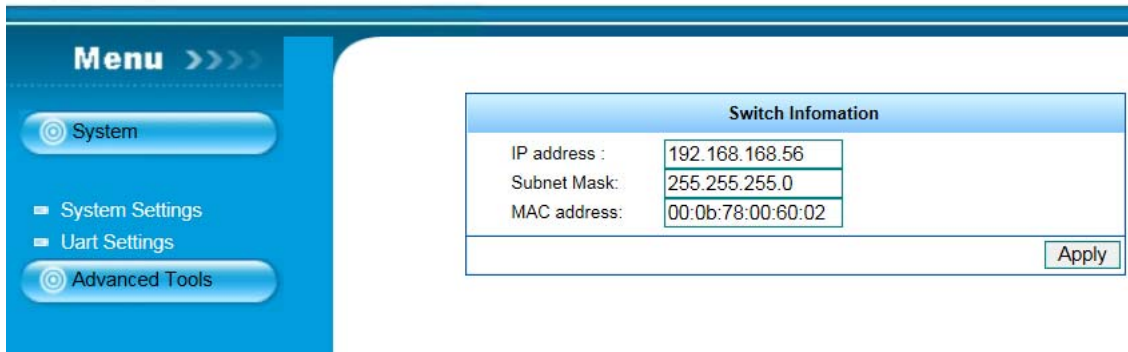
-3-

Multiple Receiver (DS-55121) configuration:

In order to connect multiple Receiver units. The Receiver IP address should be changed first.

1. Connect Receiver unit to a computer with a network cable.
2. Set computer IP to the same subnet 192.168.168.xxx with Receiver unit.
3. Search for IP 192.168.168.56 from a browser and get into receiver (DS-55121) webpage
4. Change the receiver's IP address to different number 1~255 (except 55 and 56). Every receiver unit should have a different IP number.

[Default IP Transmitter (TX): 192.168.168.55; Receiver (RX): 192.168.168.56]



Hereby Assmann Electronic GmbH, declares that the Declaration of Conformity is part of the shipping content. If the Declaration of Conformity is missing, you can request it by post under the below mentioned manufacturer address.

www.assmann.com
Assmann Electronic GmbH
Auf dem Schüffel 3
58513 Lüdenscheid
Germany

