



4×2 HDMI 4K2K Matrix Fast Switch



Manual
DS-50304

INTRODUCTION:

The HDMI 4K2K FAST SWITCH SPLITTER Matrix routes high definition video in multiple resolutions up to 4K2K and multichannel digital audio from any of the four HDMI sources to two displays (TV). Two outputs give you the choices of sending high definition audio and video signals up to two displays. Any four to any two matrix switching allows for maximum versatility for integrated systems. It can switch video source easily without reconnecting video cables. All the HDMI Video players are compatible.

Every source is accessible at all times by any display by selecting it with an IR remote. Fortunately, we develop this new product eventually, not only to meet the ideal image of the HDTV but also to meet the need of the enthusiasts' requirement for audio. Because it can extract the audio signal from HDMI output and then work with amplifier by stereo, Toslink or Coax (RCA) interface connection.

FEATURES:

This HDMI 4K2K FAST Switch has many features that enable it to perform in a superior manner. Among those features you will find:

- Supports digital audio output simultaneously: Stereo, Toslink and COAX
- Switches easily between any four HDMI sources.
- Distribute any of the four inputs to any or any combination of the two HDMI output displays.
- Supports highest video resolution 4K2K. (10.2Gbps all channel) bandwidth. Supports 340MHz/3.4Gbps per channel.
- Supports 12bit per channel (36bit all channel) deep color.
- Supports HDCP
- Supports uncompressed audio such as LPCM.
- Supports compressed audio such as DTS Digital.

PACKAGE CONTENTS:

Before attempting to use this unit, please check the packaging and make sure the following items are contained in the shipping carton:

- 1) Main unit.
- 2) 5V/2A DC Power Supply.
- 3) Remote Control.
- 4) User's Manual.

CONNECTION AND OPERATION:

- 1) Connect the HDMI input source into this product (Input cables are optional). *Please refer to connection diagram section.
- 2) Insert the DC side of 5v power supply into this product and then connect the AC side of the power supply into the wall outlet.

For this product, there are different operations for your choice

- 1) Press the button POWER on the product will present a status of standby or working.
- 2) Manual switching.

Pushing the button "Select A" can select one of four sources to display on the Output A device circularly; Pushing the button "Select B" can select one of four sources to display on the Output B device circularly.

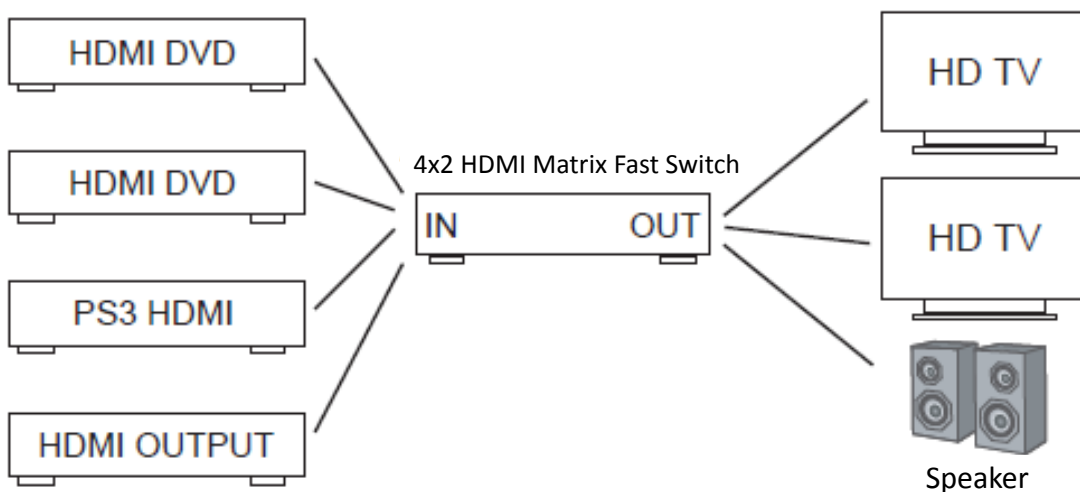
- 3) Remote control

It can control the output A and B separately.

The button 1, 2, 3, 4 can select source devices freely.

NOTE: Extracted Audio only supports one source from Output A.

CONNECTION DIAGRAM:



SPECIFICATIONS:


Signal Inputs/Output	
Input Video Signal	5 Volts p-p (TTL)
Maximum Single Link Range	3840x2160@30Hz
HDMI Input/Output Connector	Type A 19 pin
HDMI Output A S/DPDIF Signal	SPDIF and COAX
Operating Frequency	
Vertical Frequency Range	50/60Hz
Video Amplifier Bandwidth	3.4Gbps/340MHz
Resolutions (HDTV)	
Interlaced (50&60Hz)	480i,576i,1080i
Progressive (50&60Hz)	480p,576p,720p,1080p
Progressive (30Hz)	2160P
Environmental	
Operating Temperature	0°C to +70°C
Operating Humidity	10% to 85 % RH (no condensation)
Storage Temperature	-10°C to +80°C
Storage Humidity	5% to 90 % RH (no condensation)
Power Requirement	
External Power Supply	5V DC@2A
Power Consumption (max)	8 W
Regulatory Approvals	
Switch Unit	CE, FCC
Power Supply	UL, CE, FCC

Note 1: Specifications are subject to change without notice.

Note 2:

External power supply unit, Manufacturer: Dongguan MLF Tech. Co., Ltd.;

Model name: MLF-A00150502000FE0001;

Rating, Input: 100-240 V~, 50/60 Hz, 0,5 A Max; Output: 5,0 V , 2 A;

“the apparatus shall not be exposed to dripping or splashing and that no objects filled with liquids, such as vases, shall be placed on the apparatus.” the MAINS plug is used as the disconnect device, the disconnect device shall remain readily operable”

Hereby ASSMANN Electronic GmbH, declares that this device is in compliance with the requirements of Directive 2014/30/EU (EMC), Directive 2014/35/EU (LVD) and the Directive 2011/65/EU for RoHS compliance. The complete declaration of conformity can be requested by post under the below mentioned manufacturer address.

Warning:

This device is a class B product. This equipment may cause some radio interference in living environment. In this case, the user can be requested to undertake appropriate measures to prevent interference.

www.assmann.com

Assmann Electronic GmbH

Auf dem Schüffel 3

58513 Lüdenscheid

Germany

