



## 4K HDMI Switch, 3x1



### Manual DS-45308

#### 1.0 Introduction

4K HDMI Switch, 3x1 is high performance switch, which can easily switch three sources to one display. It not only has the key-press-switching function, but also has intelligent function. With one fixed HDMI cable (pigtail), this adapter is cost and time saving for consumers.

The 4K HDMI Switch, 3x1 routes high definition video (in multiple resolutions up to 4Kx2K) and digital audio from any one of the three sources to display units. All inputs accommodate the connections of the high definition video sources simultaneously, compatible well for HD-DVD, SKY-STB, PS3, Xbox360 etc. The output sends high definition audio/video signals to a high definition display.

### **1.1 Intelligent function**

1. Once the source device is "ON" or plug-in (should stay power-on mode), the switcher will automatically select this source.
2. Once the source device is turned off or plugged out, the switcher will select the next power-on source depending on the sequence automatically.

**Note:**

- The intelligent function is based on power detection. When the source devices are on the "stand-by mode", the switcher will not select next power-on source automatically

### **1.2 Features and Supports**

This HDMI Switcher has many features that enable it to perform in a superior manner. Among those features you will find:

- Multifunctional on switching: intelligent or mechanical
- Support highest video resolution 4Kx2K@60Hz
- Support 600MHz/6Gbps per channel (18Gbps all channel) bandwidth
- Support 12bit per channel (36bit all channel) deep color
- Support HDCP pass-through
- Support uncompressed audio such as LPCM
- Support compressed audio such as DTS Digital, Dolby Digital (including DTS-HD and Dolby True HD)
- Support 3D all format

## 2.0 Specifications

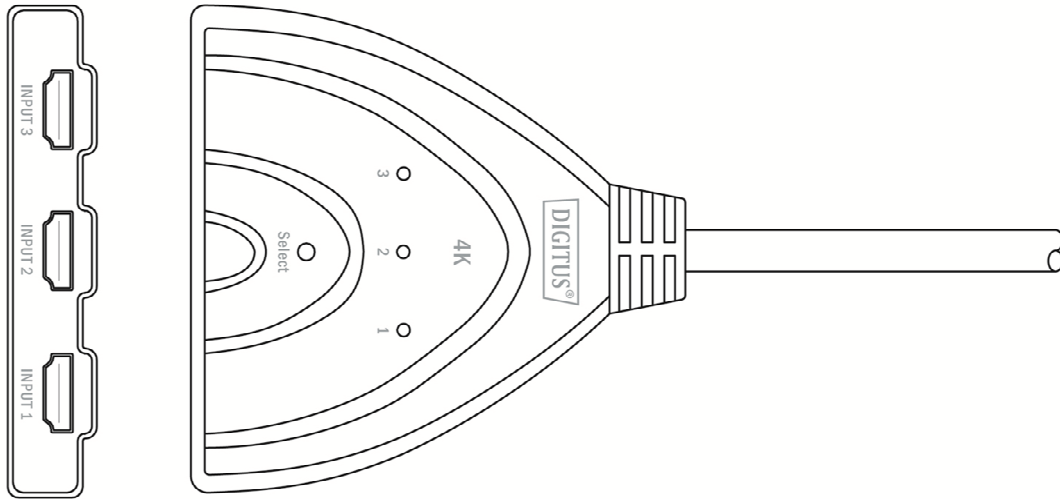
<b>Signal Inputs/Output</b>	
Input DDC Signal	5 volts p-p (TTL)
Maximum Single Link Range	4KX2K@60HZ
Output Video	HDMI
<b>Operating Frequency</b>	
Vertical Frequency Range	50/60Hz
Video Amplifier Bandwidth	18Gbps/600MHz
<b>Resolutions(HDTV)</b>	
Interlaced(50&60Hz)	480i,576i,1080i
Progressive(50&60Hz)	480p, 576p, 720p, 1080p
<b>Environmental</b>	
Operating Temperature	0 °C to +70°C
Operating Humidity	10% to 85 % RH (no condensation)
Storage Temperature	-10°C to +80°C
Storage Humidity	5% to 90 % RH (no condensation)
<b>Power Requirement</b>	
External Power Supply	No power needed
Power consumption (Max)	5W
<b>Regulatory Approvals</b>	
Converter Unit	FCC,CE,UL

**Note:** Specifications are subject to change without notice.

## 3.0 Package Contents

- Main unit
- User's Manual

## 4.0 Panel Descriptions

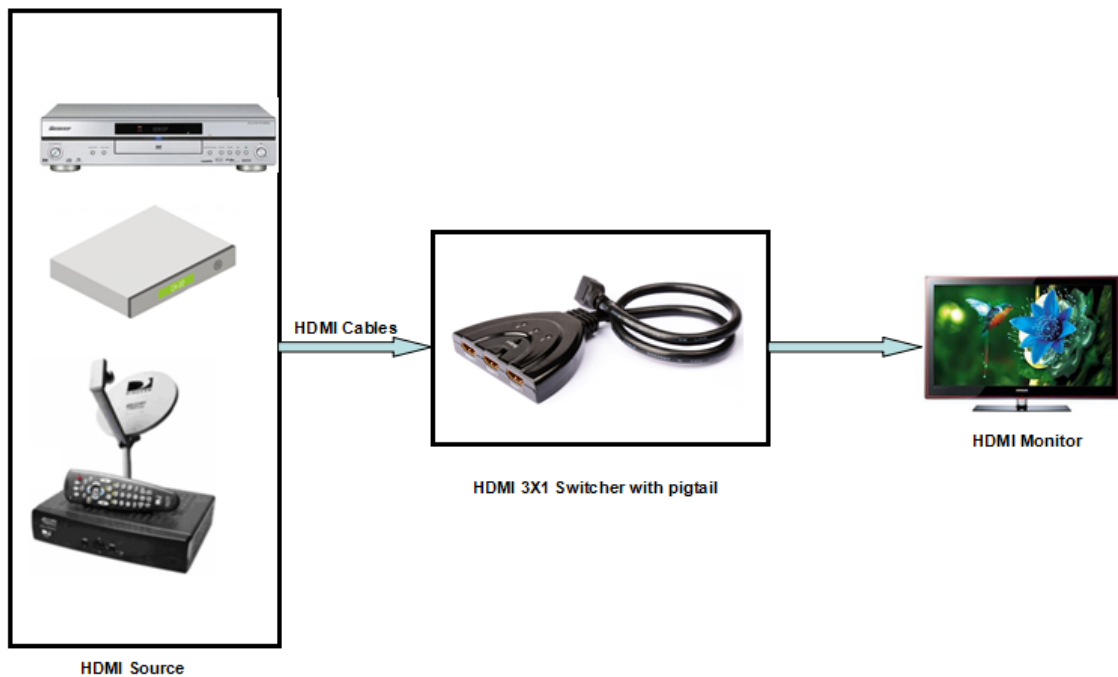


## 5.0 Connection and Operation

1. Connect the HDMI input sources into the HDMI switcher (Input cables are optional)
  - Please refer to connection diagram section
2. Connect the fixed HDMI cable (pigtail) to display
3. Press the “select” button to select input sources

**Attention: Insert / Extract cable gently.**

## 5.1 Connection and Operation



Hereby ASSMANN Electronic GmbH, declares that this device is in compliance with the requirements of Directive 2014/30/EU and the Directive 2011/65/EU for RoHS compliance. The complete declaration of conformity can be requested by post under the below mentioned manufacturer address.

**Warning:**

This device is a class B product. This equipment may cause some radio interference in living environment. In this case, the user can be requested to undertake appropriate measures to prevent interference.

**www.assmann.com**  
Assmann Electronic GmbH  
Auf dem Schüffel 3  
58513 Lüdenscheid  
Germany

