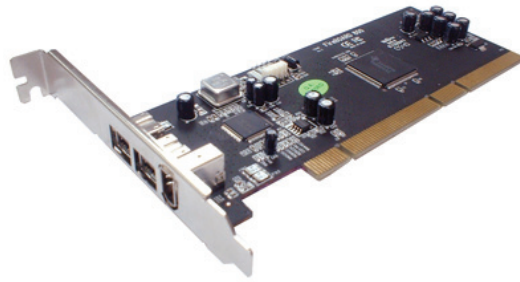




**IEEE 1394b/a Interface, 2/1 Port  
PCI Add-On Card**



**User Manual  
(DS-33205)**

**All brand names and trademarks are properties of their  
Respective owners.**

### ***Features and Benefits***

- Provides two FireWire 800 (1394b) ports and one 1394a (6-pin) port for multiple 1394b/1394a devices connections
- Supports data transfer rates of 100, 200, 400 and 800 Mbps
- Built-in 4-pin power connector provides extra power when connected to the system's power supply (recommended)
- Supports hot-swapping and Plug-n-Play connection of peripheral devices
- Works with various types of FireWire 800 (1394b) and 1394a devices including portable hard disk, DV camcorder, digital camera, CD-RW/DVD-ROM drive and other audio/video devices

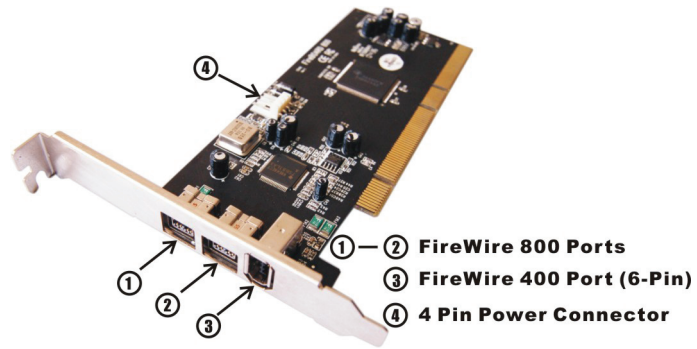
### ***Package Contents***

- 1 x PCI FireWire 800 Card 3 Ports
- 1 x User Manual

### ***System Requirements***

- Windows® 2000/XP/Server 2003 SP1 or above/Vista/7
- Pentium or equivalent PC with an available 64-bit or 32-bit PCI Slot

## *Hardware Description*



## *Hardware Installation*

1. Turn Off the power to your computer.
2. Unplug the power cord and remove your computer's cover.
3. Remove the slot bracket from an available PCI slot.
4. To install the card, carefully align the card's bus connector with the selected PCI slot on the motherboard. Push the board down firmly.
5. Connect an available 4-pin power connector from the system power supply to the 4-pin power connector on the FireWire 800

- card. This connector is recommended for reliable power output.
6. Replace the slot bracket's holding screw to secure the card.
  7. Replace the computer cover and reconnect the power cord.

### ***Driver Installation***

**Important:** If your system doesn't boot to Windows properly with our card installed, check with your system's manufacturer for the latest system firmware update.

### ***For Windows® 2000/XP/Server 2003/Vista/7***

Windows® 2000/XP/Server 2003/Vista/7 automatically installs its build-in 1394 driver for the FireWire 800 3-port PCI Card.

### ***To Verify Windows Installation***

1. Right click **My Computer**, then click **Manage**. Click **Device Manager**.
2. Double click **IEEE 1394 Bus host controllers** option and a **Texas Instruments OHCI Compliant IEEE 1394 Host Controller** should be displayed.