



CAT.5 COMBO-KVM SWITCH 8-PORT/16-PORT



**Quick Installation Guide
DS-15202 / DS-16202**

1. System Requirements

■ Hardware

● Local Host side :

The following equipment must be equipped with each computer or server

A VGA, SVGA or Multisync card

Type A USB port or PS/2 6 pin mini-DIN for Keyboard and Mouse.

● Local console side:

A VGA, SVGA, Multisync monitor capable of the highest resolution.

PS/2 and/or USB Keyboard/Mouse.

● Cables

The CAT5 KVM Switch must be used CAT5 UTP cables with specific custom combo CAT5 dongle (such as DS-19202). To purchase this specific combo CAT5 dongle, please contact your dealer.

2. Installation

2.1. Single stage installation

2.1.1. Precaution:

- Please turn off computers and devices when you start to install KVM Switch.
- For computers with Keyboard Power On function, please unplug the power cords in advance. Otherwise, the switch might not work properly.
- If your computeres work under Windows 98, please connect KVM switch to computers via PS/2 ports, because Windows 98 does not support installation at first time as except through USB HID installation driver.
- Some kind of old computers must be enabled USB setting in BIOS in advance to make USB interface work.
- This KVM switch does not quarantee to fully support all of USB keyboards with USB HUB.

2.1.2. Console connection:

Plug keyboard, mouse and monitor to the console ports on the real panel of CAT5 8-PORT/16-PORT KVM.

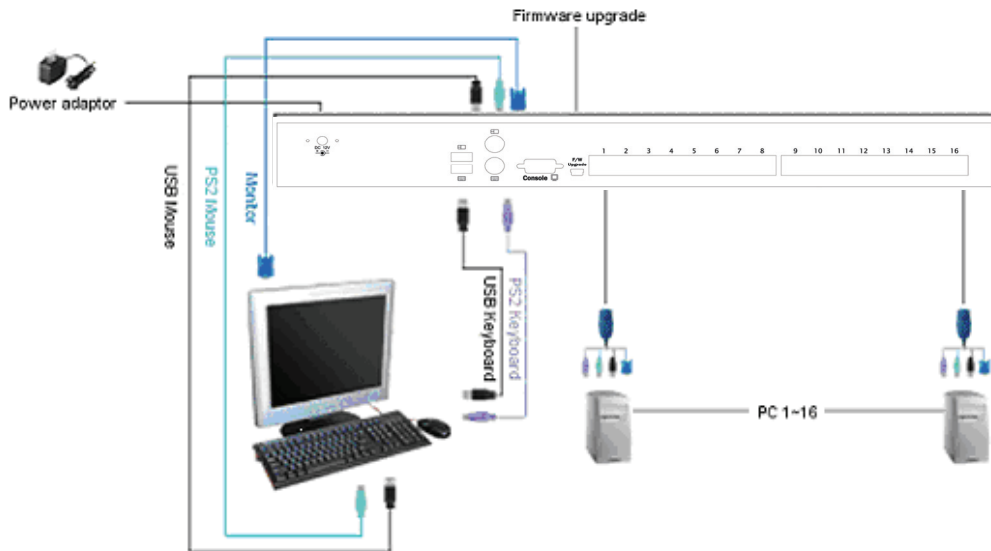


Figure : Console connection

2.1.3. System connection:

Please use Custom combo CAT5 cable to connect your computers. Please refer to the figures and instructions shown below for System connection.

Note: Please contact your dealer to purchase the custom combo 4-in-1 CAT5 dongle (DS-19202) if you need.



Figure : Custom Combo 4-in-1 CAT5 dongle (DS-19202)

You can connect CAT5 8-PORT/16-PORT KVM to computers via three methods shown below:

- A. Connect **USB, PS/2 (keyboard/mouse)** and **VGA** connectors to computers. We **recommand** users to connect computers in this way.

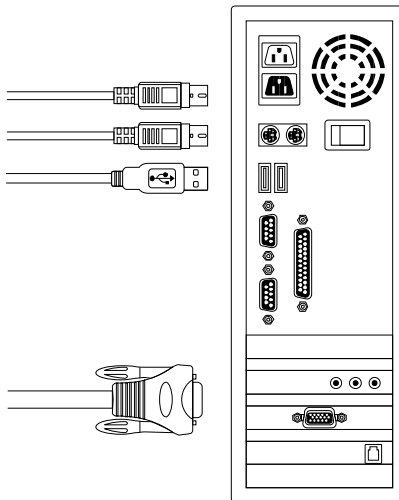


Figure : USB & PS/2 (Keyboard & Mouse) and VGA connected

- B. Connect only PS/2 (keyboard/mouse) and VGA connectors to computers.

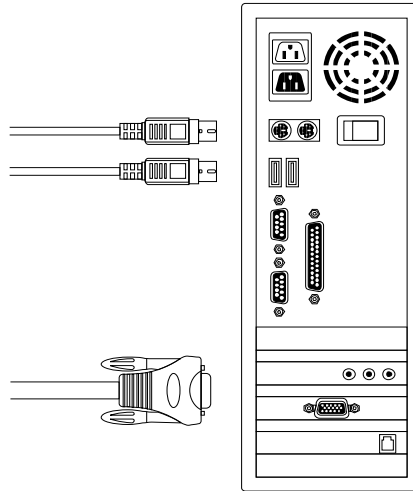


Figure : PS/2 (Keyboard & Mouse) and VGA connected

- C. Connect only USB and VGA connectors to computers.

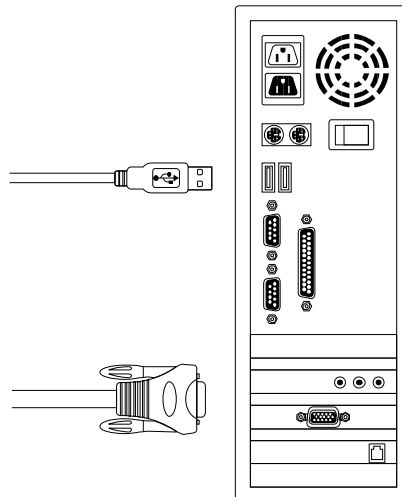


Figure : USB and VGA video connected

2.2. Cascade Chaining

CAT5 Combo Free 8-port & 16-port KVM switch support 3 level cascades; control up to **8/64/512 PCs (for 8-port only)** and **16/256/4096 PCs (for 16-port only)**, from a single console; cascaded chaining units do not need special configuration. Cascaded configuration expands system ability and

allows you to select computers connected to the Master or Slave. After connected, KVM Switches automatically configure Master and Slave.

Note: CAT5 8-PORT/16-PORT KVM should be the master KVM Switches, and the second & third layers could use Standard KVM Switches (Recommends Combo KVM Switches connected to 2nd & 3rd layers).

To Install cascade chain, please follow the instruction below:

- A. Please turn off computers and devices when you start to install KVM Switch.
- B. Uses the custom combo 4-in-1 CAT5 dongle (DS-19202) (**See Figure 6**) to connect one or more Slave KVM Switches to any PC port of Master KVM Switch. **The connection between KVM cascaded to KVM must be connected through PS/2 connection.**
- C. You can do console Master KVM Switch via either USB and/or PS/2 keyboard and mouse at will.
- D. Plug in the power adapter of the first level Master KVM Switch and connect Master KVM switch to computers.
- E. Next, plug in power adapter for each level Slave KVM Switch and connect Slave KVM switch to computers .
- F. The power on sequence should be:
 1. Master KVM Switch
 2. Second level Slave KVM Switch (connecting to Master KVM Switch) if any.
 3. Third level Slave KVM Switch (connecting to second level Slave KVM Switch) if any.
 4. All computers connecting to Master/Slave KVM Switch.
- G. After all KVM Switches are powered by power adaptor, turn on the computers.

- Initial Plug-in Process:
Please plug in the Master KVM Switch first before turning on any other devices like monitor or computers.
- Hot plug and Hot Swap:
Combo Free 8-port & 16-port KVM switch support Hot plug and Hot swap function.

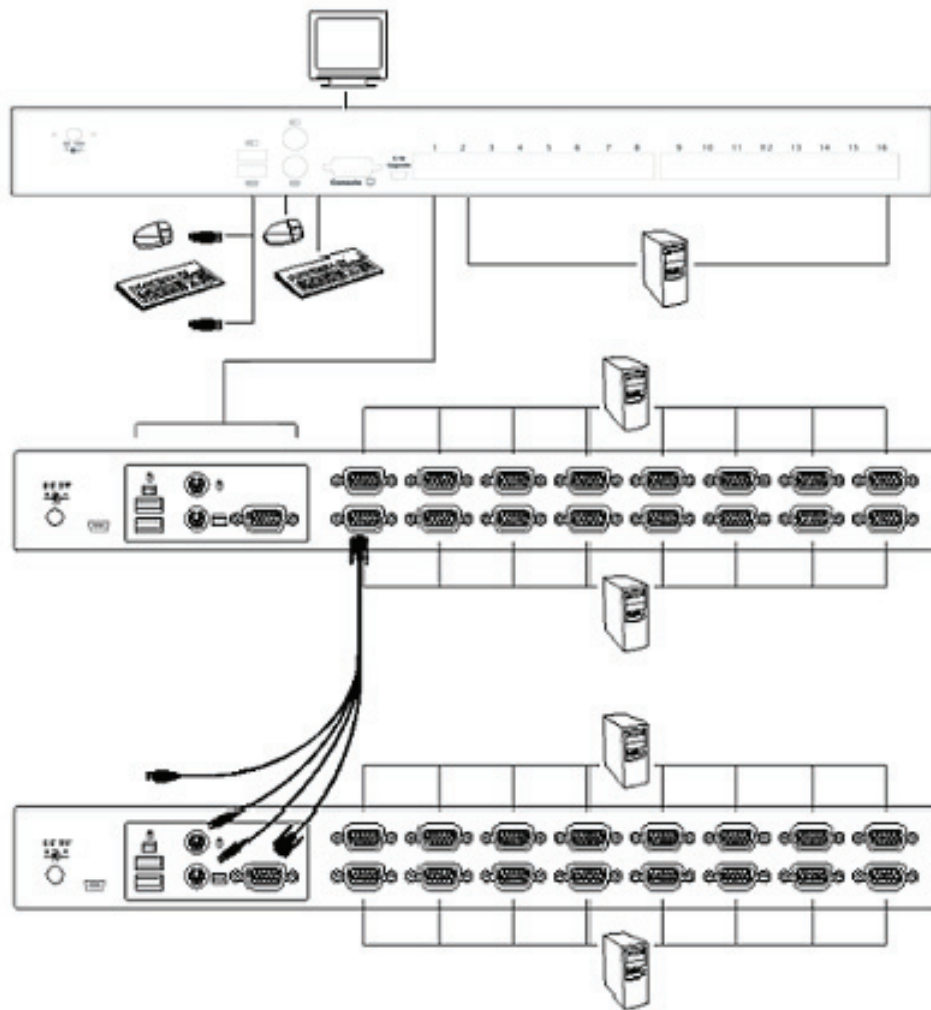


Figure : Cascade chaining

Firmware upgradeable download connector

The min-USB female connector on the rear of KVM switch is for firmware upgrade function. To update your KVM firmware, please contact your dealer.

2.3. Rack Mounting

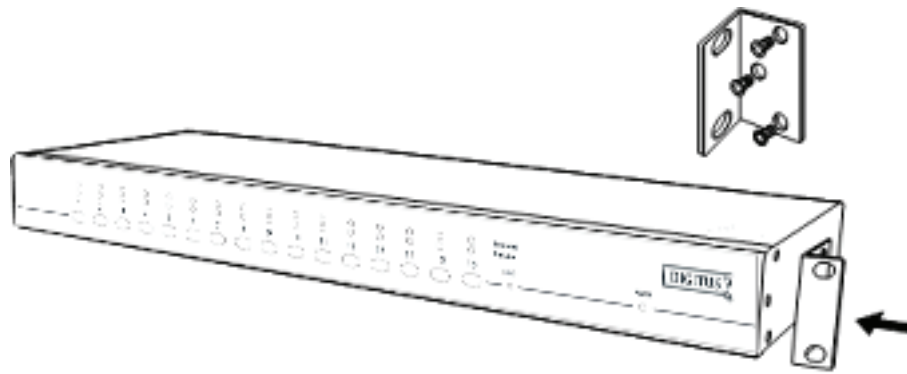


Figure : Rack mounting

Figure 11 shows you how to attach mounting brackets to the KVM Switches unit for standard 19-inch rack cabinet.

1. Screw the mounting brackets into the sides of the KVM-Switches unit.
2. Install the KVM-Switches unit into the rack cabinet.

3. Hot Key Operation

3.1. Call OSD Menu

Press < **Scroll Lock** > twice and < **Enter** >, then the OSD “Main Menu” will be displayed on the monitor screen. All of the KVM parameters can be setup in OSD mode. You can also execute some KVM functions in OSD.

< **Scroll Lock** > → < **Scroll Lock** > → < **Enter** >

3.2. Channel Select - Single KVM

3.2.1. Specific channel selection

You can select the connected computers by using the two-step Hot Key sequence. Press < **Scroll Lock** > key twice (Step 1), then press **key (1 to 16)** and < **Enter** > (step 2) to select the computer you want to control.

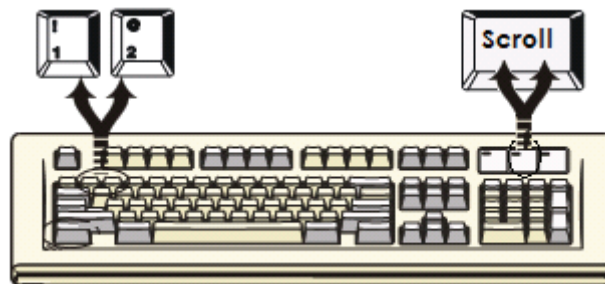


Figure : Specific channel selection hot key

< **Scroll Lock** > → < **Scroll Lock** > → < **1** > → < **Enter** > or

< **Scroll Lock** > → < **Scroll Lock** > → < **2** > → < **Enter** > or

⋮

⋮

< **Scroll Lock** > → < **Scroll Lock** > → < **16** > → < **Enter** >

Note: You can also select computers in OSD menu. Move the indicator bar to the channel to switch by using <arrow key>, <Page Up> or <Page Down>, then press <Enter> to select the connected computer.

3.2.2. Start auto-scan function

<Scroll Lock> → <Scroll Lock> → <S> → <Enter>. The auto-scan banner will be shown on screen to indicate the scanning channel.

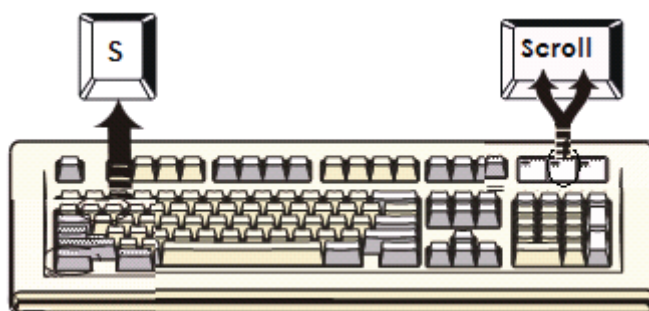


Figure : Auto-scan hot key

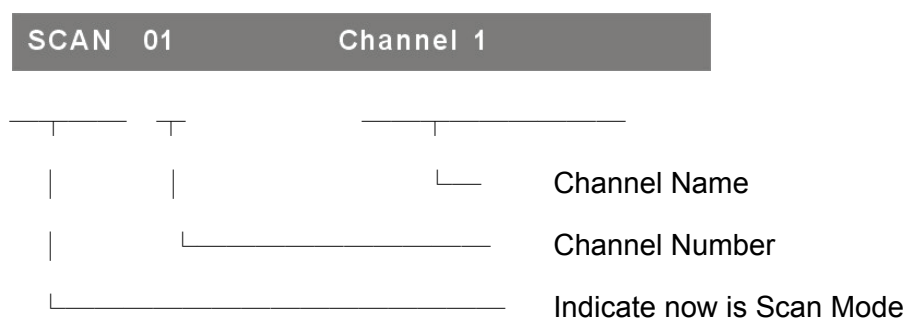


Figure : Auto-scan Banner

3.2.3. Stop auto-scan function

Press any key on keyboard to **STOP** the auto-scan function. Press the push button on KVM front panel to select active port can stop the auto-scan function, too.

3.3. Call Adjust Video Menu

Press < **Scroll Lock** > twice, then < **C** > and < **Enter** >, then the OSD “Adjust Video” will be displayed on the monitor screen. You can adjust video quality for current active channel in first layer.

< **Scroll Lock** > → < **Scroll Lock** > → < **C** > → < **Enter** >

3.4. Exit OSD: <ESC>

Press < **ESC** > to exit OSD and to return to the selected computer. A banner with the channel name will be shown on left-upper corner of the screen.

3.5. Adjust Video in OSD

Please use < **Up** > or < **Down** > arrow key to options for video adjustment, and use < **Left** > or < **Right** > arrow key to change the value. Press < **ESC** > to exit and save the setup settings.



Figure: Adjust video window