



8-PORT 10/100MBPS PoE ETHERNET SWITCH



Manual
DN-95321

TABLE OF CONTENTS

Chapter 1 Product Introduction	2
1.1 Product Overview	2
1.2 Features	2
1.3 Environments.....	2
Chapter 2 Installation	3
2.1 Installation method.....	3
2.2 Rack-mountable Installation	3
2.3 Turn on the switch.....	4
2.4 Indicator LED	5
2.5 Network Connection	5
2.6 Switch connection to the PD	6
Chapter 3 Trouble Shooting	6
3.1 Indicators.....	6
3.2 Power.....	6
3.3 Cable	6
Appendix: The standard RJ-45 Introduction	7

Congratulations on your purchasing of the switch. This switch provides a simple, economical, standard and high performance solution for you. Please read the entire user manual before using the product and save it for future reference.

CHAPTER 1 PRODUCT INTRODUCTION

1.1 Product Overview

The product is desktop design, all-metal chassis and elegant appearance. This product is easy to install, can rack, plug and play, no management; Dynamic LED indicator to monitor switch status and troubleshooting work. Supporting 8 10/100Mbps auto-negotiation ports, use store and forward technology, combined with dynamic memory assignment, to ensure it can be distributed to each port. Flow control ensures to prevent data packet from losing while sending and receiving. Compatible with 10Base-T, 100Base-TX, two network environment.

LED panel light displays power and network station dynamically. With all ports have POE function, the power is up to 30 watts each port, compliant with IEEE802.3af、IEEE802.3at standards. POE total power reaches 140W for all ports. It can make IP phone, IP cameras, wireless LAN access point AP and other PD devices work, no need power cords and outlet socket.

1.2 Features

- 8 × 10/100Mbps Auto-negotiation Fast Ethernet RJ45 ports with 8 port PoE function (port1-port8)
- Supports PoE power up to 30W for each PoE port
- Supports All power up to 150W
- Supports PoE IEEE802.3af and IEEE802.3at compliant Powered Device (PD)
- Supports IEEE802.3x flow control for Full-duplex Mode and backpressure for Half-duplex Mode
- 2K entry MAC address table of the switch with auto-learning and auto-aging
- LED indicators for monitoring power, link, activity
- Internal power adapter supply

1.3 Environments

Operating Temperature: 0°C~40°C

Storage Temperature: -10°C~70°C

Operating Humidity: 10%~90% non-condensing

Storage humidity: 5%~90% non-condensing

CHAPTER 2 INSTALLATION

Before installing the switch, make sure that the following the "packing list" listed OK. If any part is lost and damaged, please contact your local agent immediately. In addition, make sure that you have the tools install switches and cables by your hands.

- One Switch
- One power cord
- This User Guide
- Mounting screws with two "L" planks

Note: This switch can be placed on a flat surface.

The site where you place the switch may greatly affects its performance. When installing, take the following into your consideration.

2.1 Installation method

Follow the below guide to install the switch.

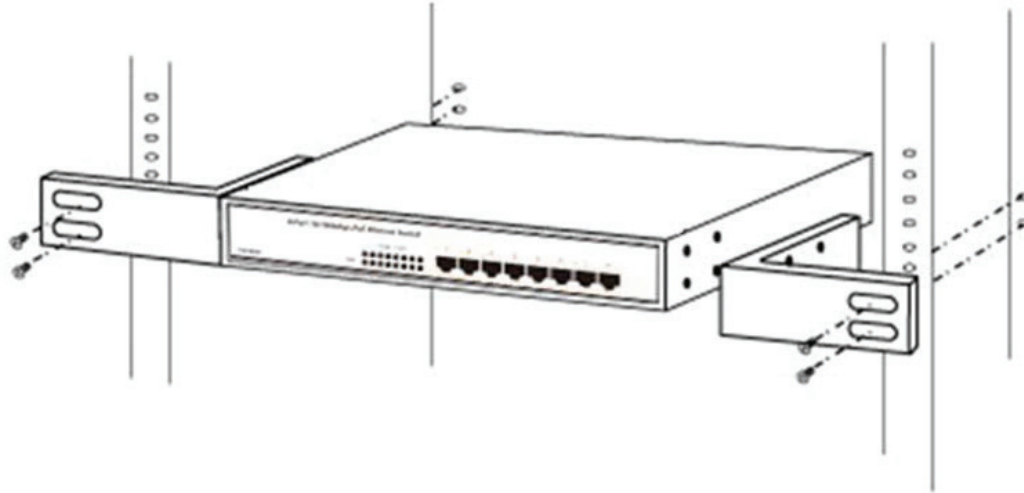
- Please install the switch in a fairly cool and dry place. See the Technical Specification for the acceptable temperature and humidity operation ranges.
- Installing the switch on a sturdy, level surface that can support its weight (at least 5KG).
- Connect the power cord to the switch and the power outlet. The distance is less than 150cm.
- Leave at least 10cm (about 4 inches) of space at the front and rear of the switch for ventilation.

2.2 Rack-mountable Installation

The switch is rack-mountable and can be installed on an EIA-11 inch equipment rack. To do this, first, please install the mounting brackets on the switch's side panels(one on each side), secure them with the included screws, and then use the screws provided with the equipment rack to mount the switch on the 11 inch rack.



Step 1



Step 2

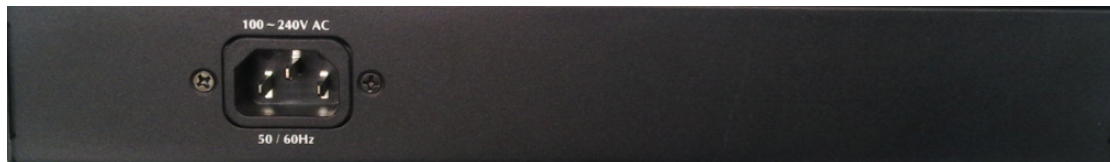
2.3 Turn on the switch

Please plug the power supply into the switch, the internal power system of the switch can auto-regulate the working power according to the actual input power. When the switch is power on, the power indicator will be light on on the front panel of the switch shines.

Note:

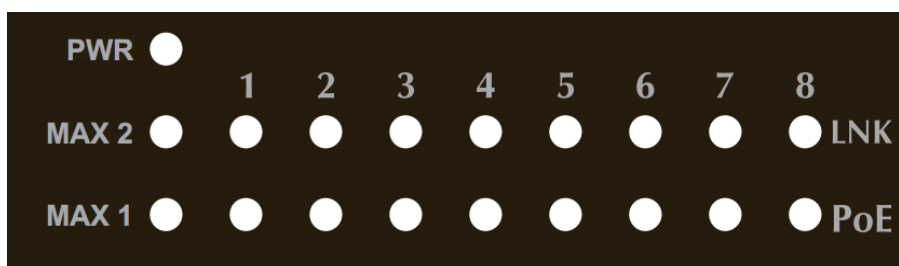
Please confirm the voltage is correct before power on, otherwise the switch will be damaged.

There is a power supply socket on the back panel of the 8 port PoE switch.
The power input is: 110V-240V.



8-port PoE Ethernet Switch back panel

2.4 Indicator LED



LED	Status	Description
PWR	ON	Power is supplied
	OFF	No power
Link	ON	A valid link is established
	Blinking	Data packets received
	OFF	No link is established
PoE	ON	There is a PoE PD connected to the port, which supply power successfully.
	OFF	No PD port connect to the port, or the power is not enough to supply PoE device to work on
MAX 1(1-4 Ports)	ON	When the power output to PDs has reached or exceeded the maximum power budget. No additional PDs connected will be powered.
	OFF	When the system is using less than 55W Higher than 70W
MAX 2(5-8 Ports)	ON	When the power output to PDs has reached or exceeded the maximum power budget. No additional PDs connected will be powered.
	OFF	When the system is using less than 55W or Higher than 70W

2.5 Network Connection

Connect your devices (computer, router, switch, etc.) to the ports with a CAT-5/CAT-5e/CAT-6 network cable. Since the switch supports Auto MDI/MDI-X you can use either a straight or crossed network cable.

2.6 Switch connection to the PD

All ports of switch have POE power supply function, the maximum output power up to 30W each port, it can make PD devices, such as internet phone, network camera, wireless access point work, provide five levels of 3.84 ~ 25.5W electric power request. You only need to connect the switch POE port directly connected to the PD port by network cable

CHAPTER 3 TROUBLE SHOOTING

The Switch can be easily monitored through panel indicators to assist you identify some problems. This section describes common problems you may encounter and where you can find possible solutions.

3.1 Indicators

If Link indicator does not light up after making a connection, you may check whether network interface (e.g., a network adapter card on the attached device), network cable, or switch port is defective or not. Be sure the cable is plugged into both the Switch and corresponding device. Verified the proper cable type is used and its length does not exceed specified limits.

3.2 Power

If the power indicator does not turn on when the power cord is plugged in, you may have a problem with power outlet, or power cord. However, if the switch powers off after running for a while, check for loose power connection, power loses or surges at power outlet. If you still cannot resolve the problem, contact your local dealer for assistance.

3.3 Cable

RJ-45 Ports: Use unshielded twisted-pair (UTP) or shield twisted-pair (STP) cable for RJ-45 connections:

1. CAT-3/CAT-5/CAT-5e UTP cable when the switch connect with a 10-Base TX device
2. CAT-5/CAT-5e/CAT-6 UTP cable when the switch connect with a 100-Base TX device
3. Be sure that the length of any twisted-pair connection does not exceed 100 meters (328 feet).

Appendix: The standard RJ-45 Introduction

Please note that cable-making methods, because cable which does not meet the standards of the sequence data will make the data transmission speed slow, unstable and even be blocked, the following chart represents that the standard RJ-45 jack and the connector and pin definition:



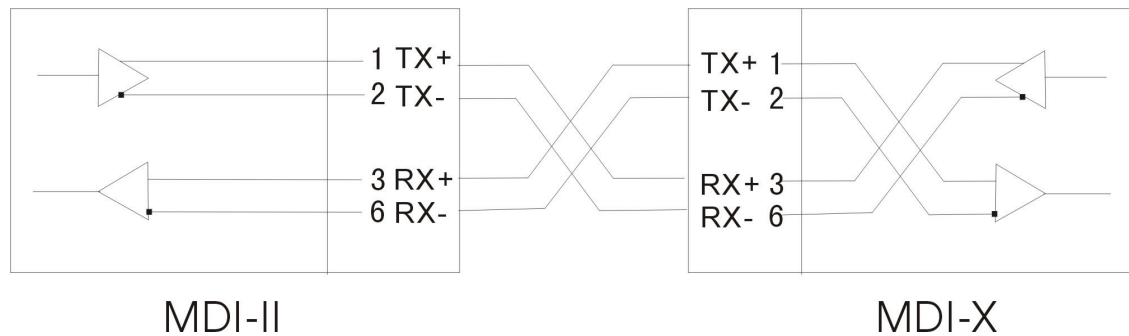
Standard RJ-45 jack / connector

RJ-45 connector pin definitions	
Pin Number	Signal
1	_TX1 +(PoE Power+)
2	_TX1 - (PoE Power+)
3	_RX1 + (PoE Power-)
4	
5	
6	_RX1 - (PoE Power-)
7	
8	

The standard cable, RJ-45 pin assignment

The following shows straight cable and crossover cable connection, ordinary please use straight cable to connect switch/Hub or other devices:

Straight cable for the switch (uplink MDI-II port) to switch/Hub or other devices connection



Cross over cable for switch (MDI-X port) to switch/hub or other network devices (MDI-X port) connection.

