



Wireless LAN PCI Express Adapter



Quick installation guide

Package Contents	Page 1
Network Card Installation	Page 2
Connect to Wireless Access Point.....	Page 6

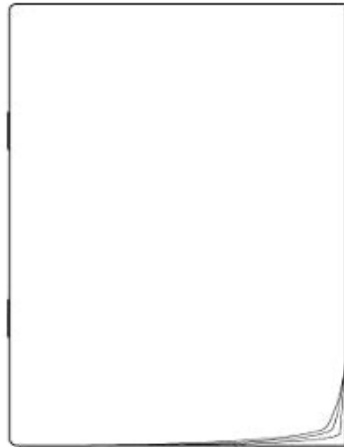
Package Contents

Before you starting to use this wireless network card, please check if there's anything missing in the package, and contact your dealer of purchase to claim for missing items:

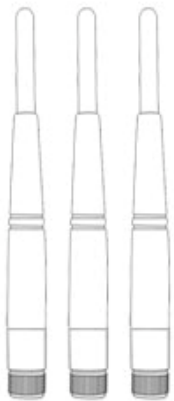
- User manual / device driver CDROM (1 pcs)..... 1
- Quick installation guide (1 pcs) 2
- Antennas (3 pcs) 3
- PCIe Wireless Network Card (1 pcs)..... 4



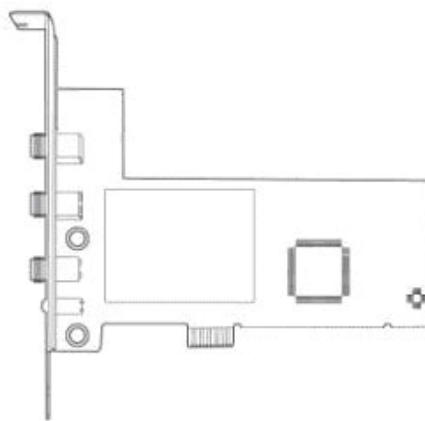
1



2



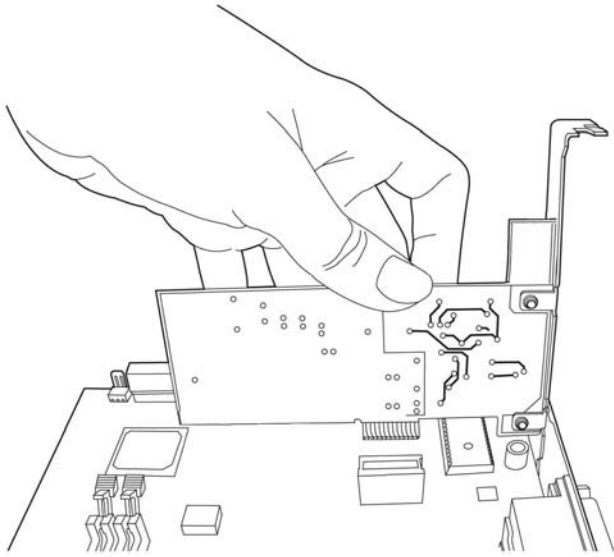
3



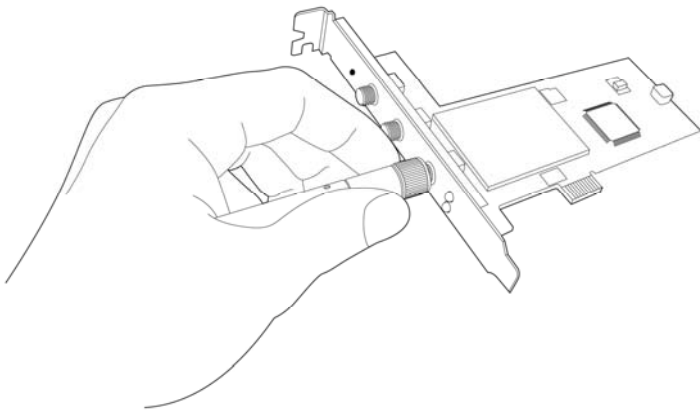
4

Network Card Installation

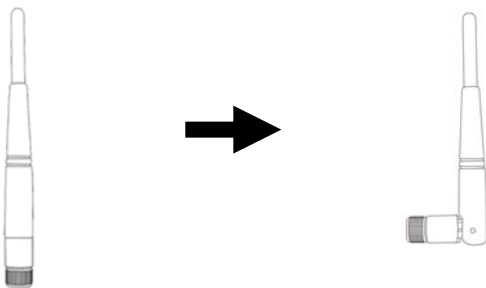
Please follow the following instructions to install your new PCIe wireless network card:



1. SWITCH THE COMPUTER OFF, remove the cover and insert the wireless network card into an empty PCIe slot of your computer.

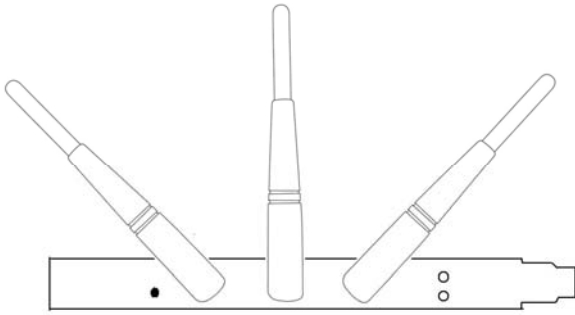


2. Fasten the antennas to the antenna connectors on the network card by clockwise direction.

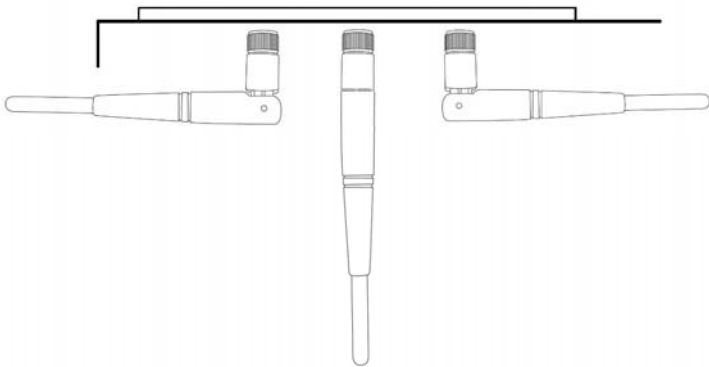


3. You can bend the antenna to fit actual needs.

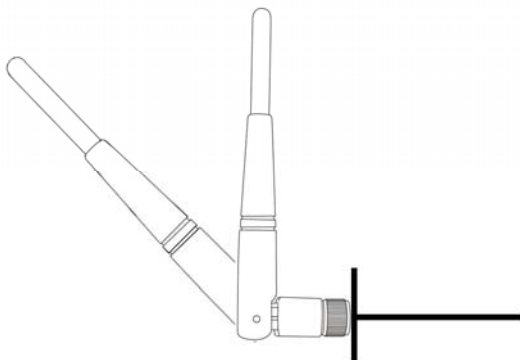
When view from back:



When view from top:



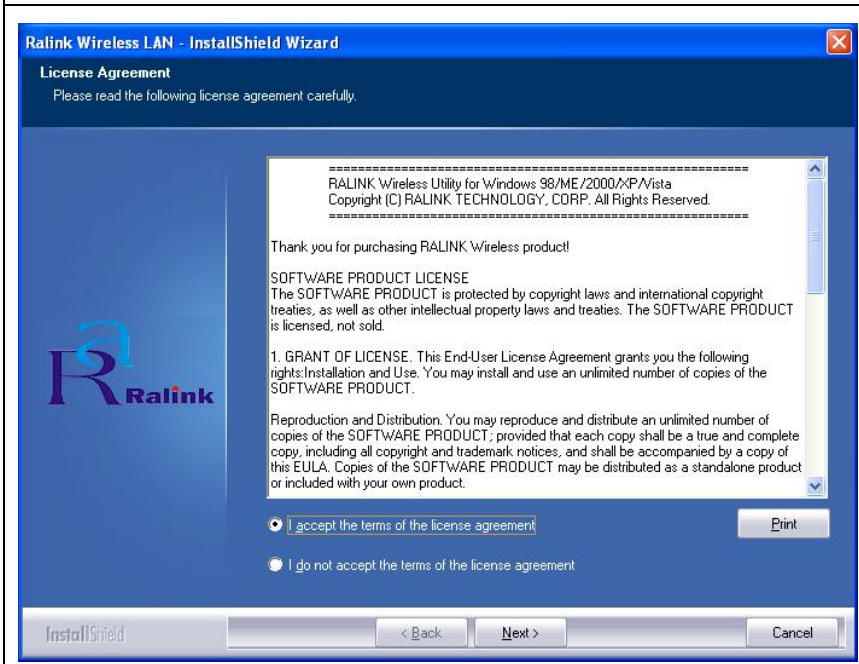
When view from side:



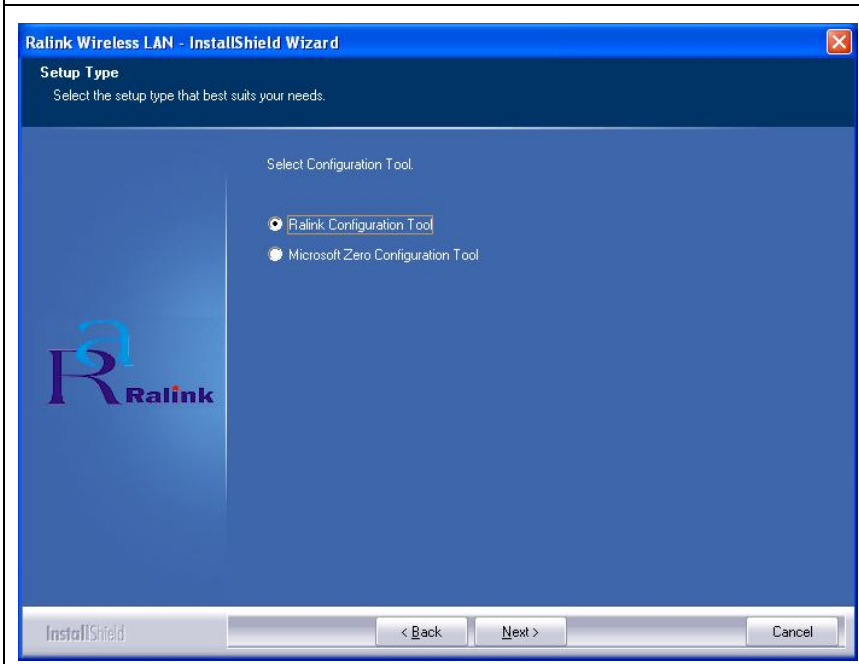
4. To improve radio reception, please adjust antennas to the position shown in the picture.



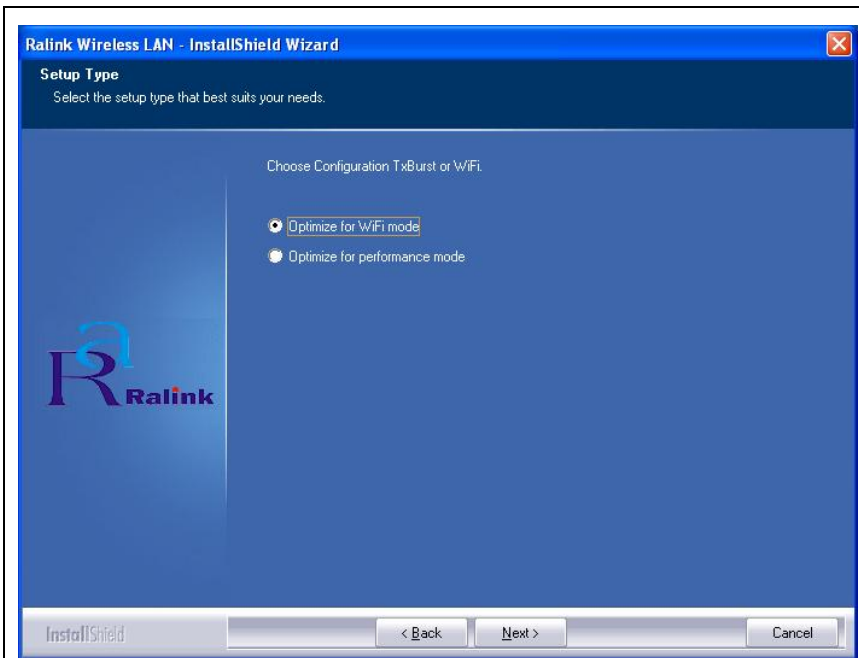
5. Switch the computer on, the following message will appear on your computer, please click 'cancel'.



6. Insert device driver CDROM into the CD/DVD ROM drive of your computer, and execute 'Setup.exe' program in 'Driver' folder. Please read the end user license agreement and click 'I accept the terms of the license agreement' and 'Next' to accept license agreement.



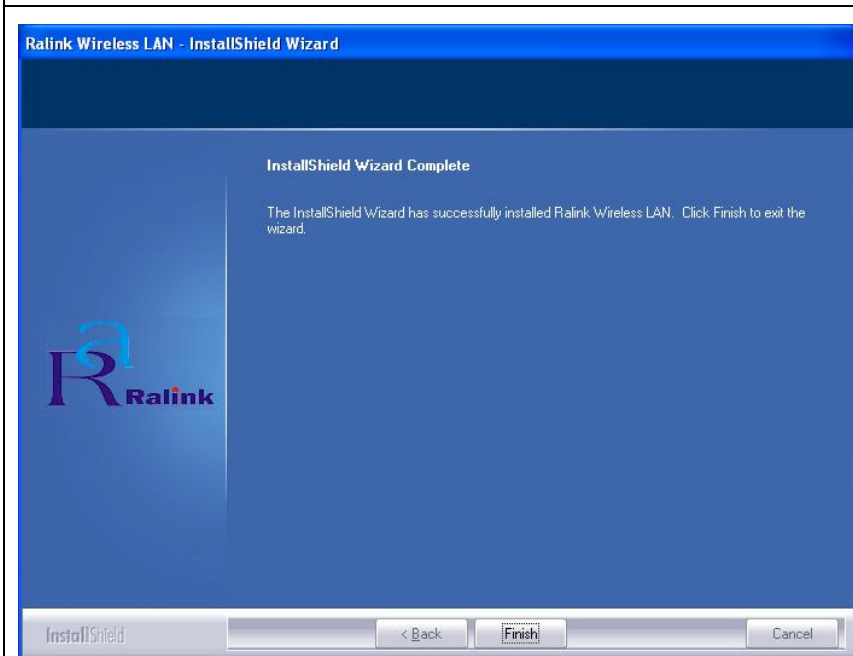
7. You can choose the configuration tool used to configure the wireless network card here. It's recommended to select 'Ralink Configuration Tool', which provides fully access to all function of this wireless network card. If you prefer to use the wireless configuration tool provided by Windows XP or Vista, please select 'Microsoft Zero Configuration Tool', then click 'Next'.



8. Please select 'Optimize for WiFi mode' for wireless compatibility, then click 'Next'.

If you want to enhance wireless performance, please select 'Optimize for performance mode'. However, wireless compatibility is not guaranteed in this mode. Please refer to user manual for details of performance mode.

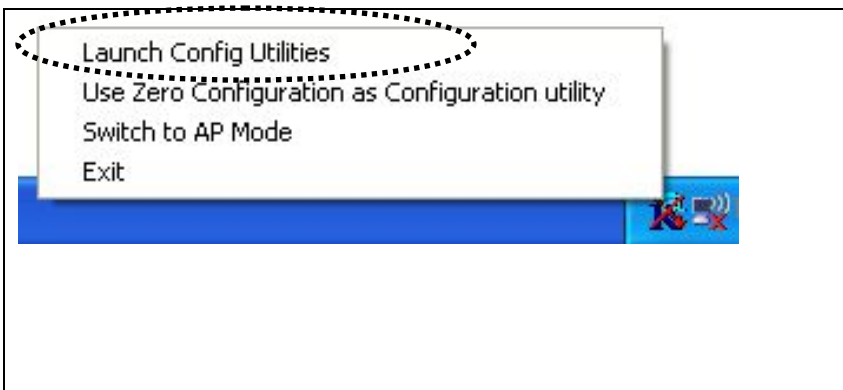
If you see 'Found New Hardware' message again, please ignore it and wait.



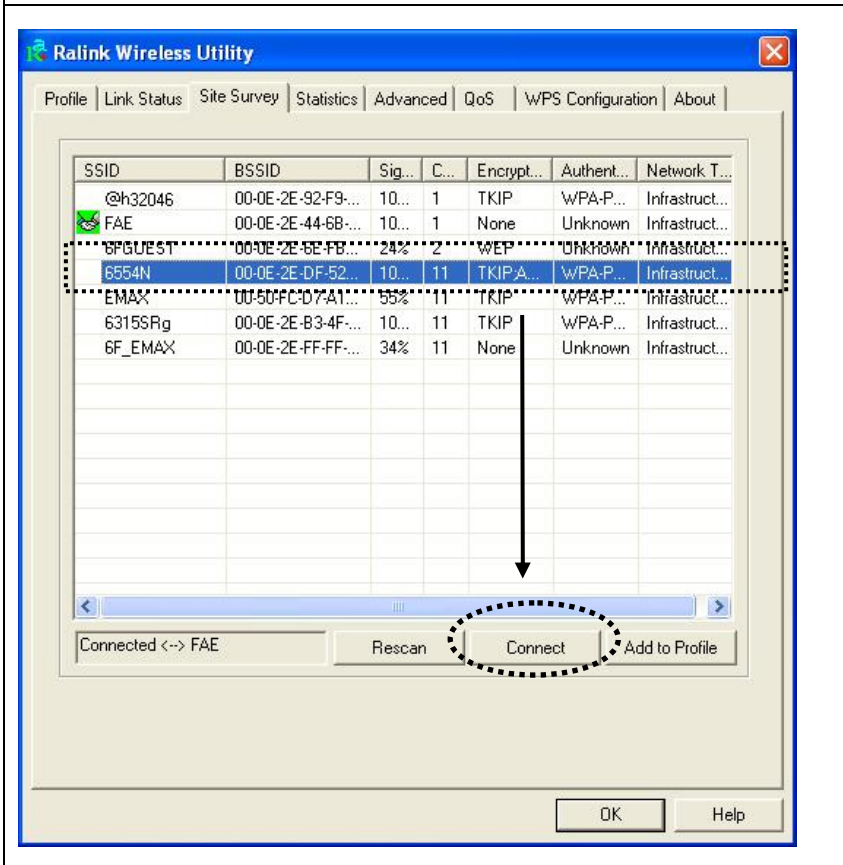
9. When you see this message, please click 'Finish' to complete the driver installation process.

Connect to Wireless Access Point

Using Configuration Utility to Connect to Wireless Access Point

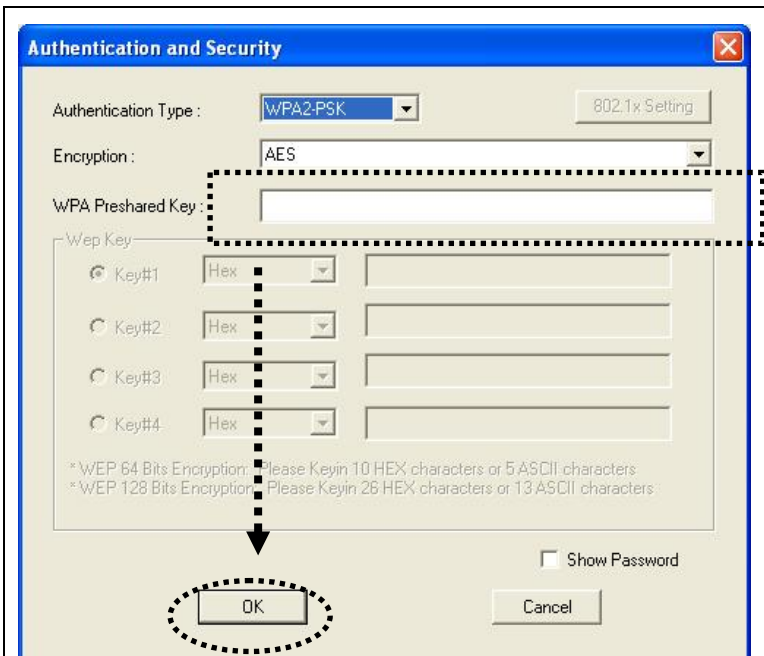


1. After installation is complete, wireless configuration utility will be shown as an icon at the lower-right corner of your windows desktop. Please click the icon by right mouse key, and select 'Launch Config Utilities'.



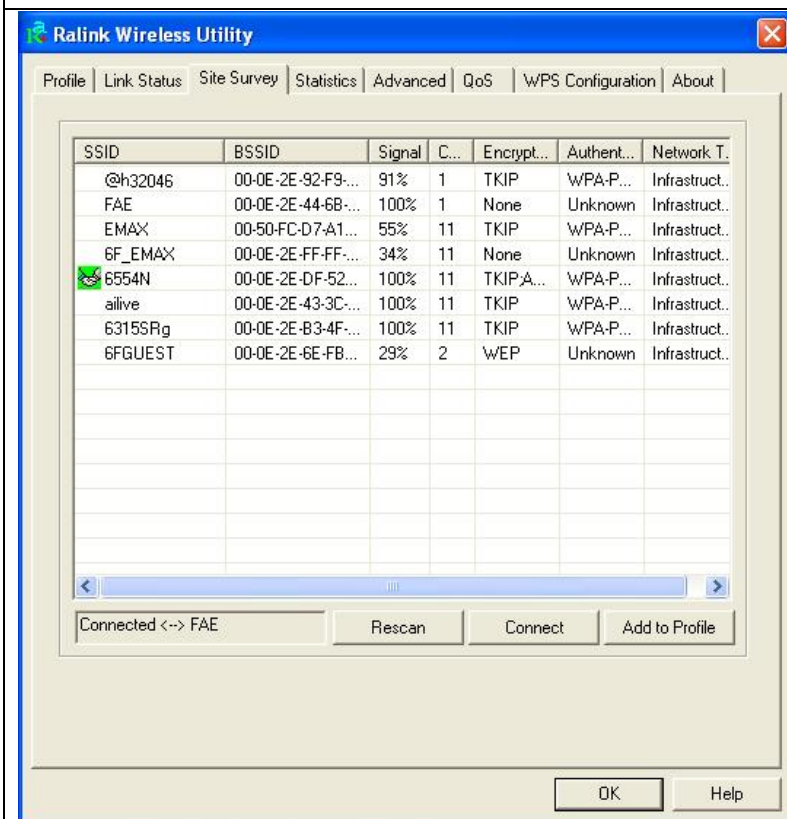
2. Configuration utility will scan for wireless access points automatically, and all found access points will be displayed. Please select an access point you wish to connect, and click 'Connect'.

If the wireless access point you want to connect does not show here, please click 'Rescan'



3. If the wireless access point uses encryption, you have to input WEP passphrase or WPA preshared key. Please ask the owner of the wireless access point you want to connect, and input the correct passphrase / preshared key here, then click 'OK'. If the value you inputted here is wrong, you will not be able to connect to wireless access point.

Authentication type is selected automatically, please don't change it.



4. If the wireless access point is successfully connected, you'll see a 'Connected' message displayed at the lower-left corner of wireless configuration utility window. Click 'OK' to exit.

For advanced settings and other features of this PCIe wireless network card, please refer to user manual enclosed in supplied CD-ROM.