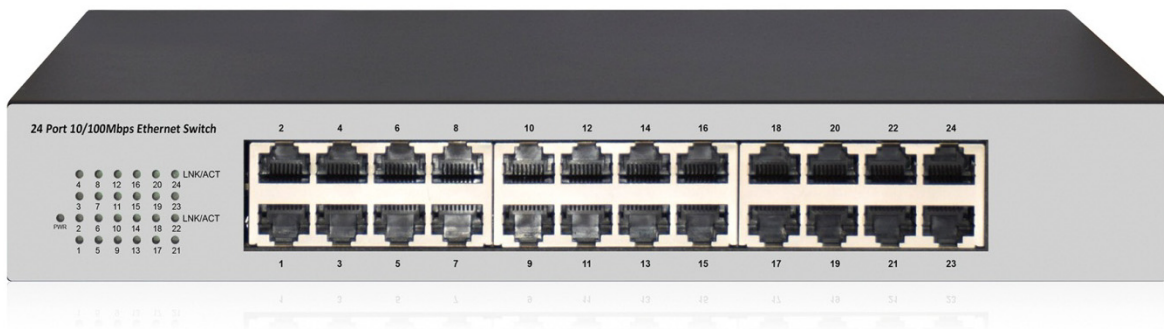
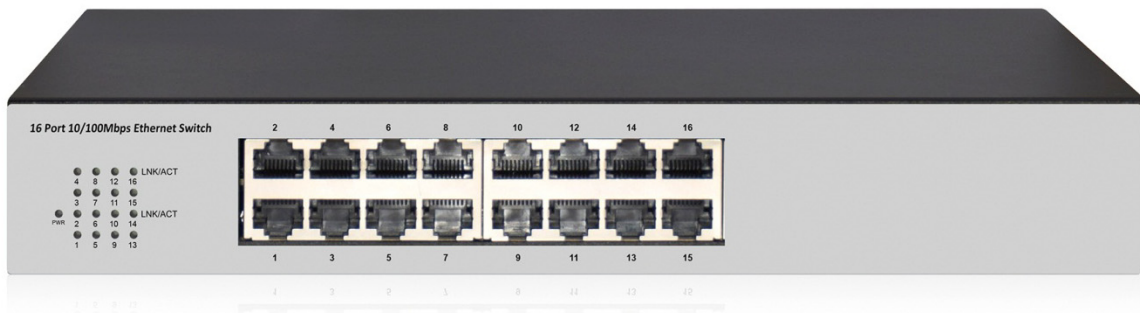




# 16-Port/24-Port 10/100Mbps Ethernet Switch



## User Manual

DN-60011-2 • DN-60021-2

## Package Contents

Check the following contents of your package:

- Network Switch x1
- User Manual x1
- Power Cord x1
- Accessories (Rack Mount Accessory Kit x2, Rubber Feet x4, screw x8)

If any part is lost and damaged, please contact your local agent immediately.

## Introduction

This DIGITUS Unmanaged Switch offer 16 port (DN-60011-2) and 24 port (DN-60021-2) 10/100Mbps RJ45 port. Using store and forward technology, combined with dynamic memory allocation, to ensure the effective allocation of bandwidth to each port. It is easy to manage and maintain which can meet a lot of networking environment, such as Business building, Community, Hotel, Office etc.

## Specifications

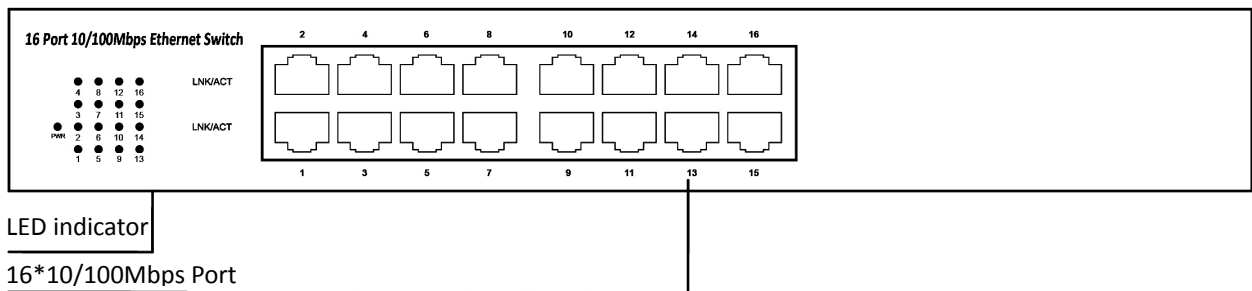
Model	DN-60011-2	DN-60021-2
Description	16 Port Fast Ethernet Switch	24 Port Fast Ethernet Switch
Standard	IEEE802.3, IEEE802.3u, IEEE802.3az, IEEE802.3x	
Network Media	10BASE-T: UTP category 3,4,5 cable (≤100m) 100BASE-TX: UTP category 5 cable (≤100m)	
MAC Address Table	8K, Auto-learning, Auto-aging	
Transfer mode	Store-and-Forward	
Frame Forward Rate	10Base-T: 14881pps/Port 100Base-TX: 148810pps/Port	
Switching Capacity	3.2Gbps	4.8Gbps
Forwarding Rate	2.4Mpps	3.6Mpps
Packet buffer	2M bit	
Dimensions (L*W*H)	280 * 179 * 44 mm	
Fan	Fanless	
Power Input	AC: 100~240V, 50/60Hz	
Temperature	Operating Temperature: 0°C ~ 40 °C (32 °F ~104°F) Storage Temperature: -40 °C ~ 70 °C (-40 °F ~158°F)	
Humidity	Operating Humidity: 10% ~ 90% non-condensing Storage Humidity: 5% ~ 90% non-condensing	
Green energy saving	IEEE 802.3az	
MTBF	>50000 hours	

# Hardware Description

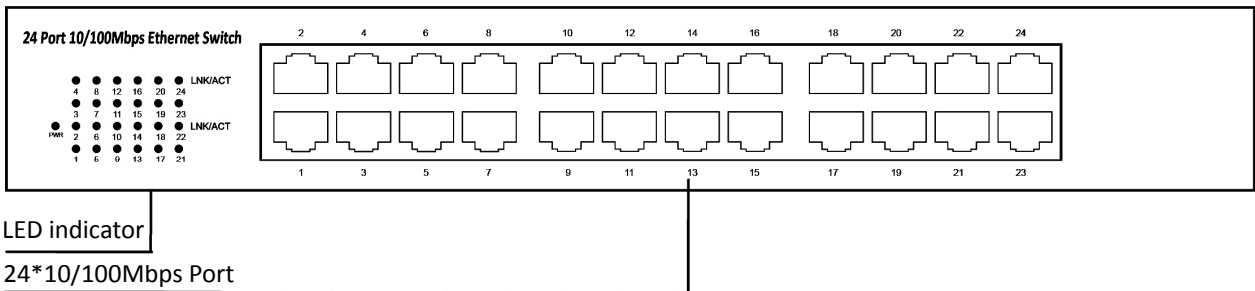
## Front Panel

The Front Panel Consists of Ethernet Ports. The LED indicators are also located on the panel.

### 16 Port Network Switch



### 24 Port Network Switch

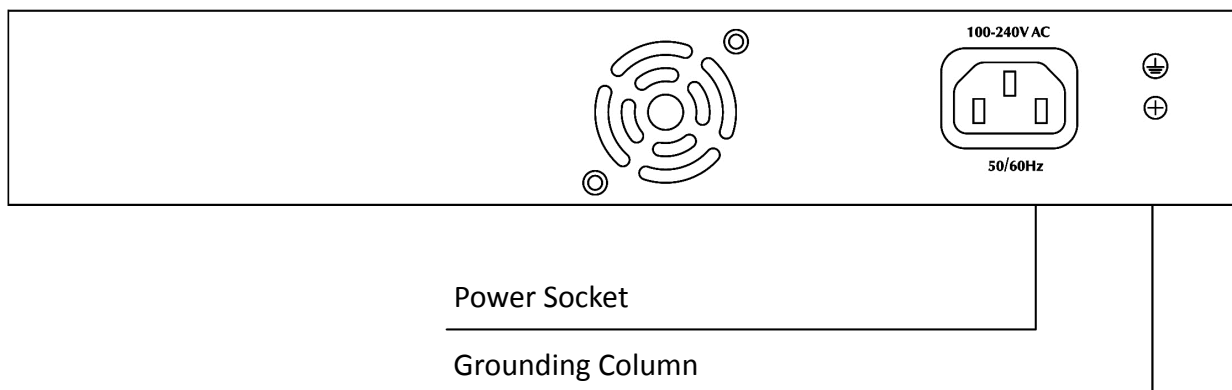


## LED indicator

LED	Color	Function
PWR	Green	<b>Off:</b> No Power supply. <b>Light:</b> Indicates the switch has power.
LNK/ACT	Green	<b>Off:</b> No device is connected to the corresponding port. <b>Light:</b> Indicates the link through that port is successfully established at 10/100Mbps. <b>Blink:</b> Indicates that the Switch is actively sending or receiving data over that port.

## Rear Panel

The rear panel of the Switch indicates an AC inlet power socket, which accepts input power from 100 to 240V AC, 50/60HZ.



## **Power socket**

Connect the female connector of the power cord here, and the male connector to the AC (Alternating Current) power outlet. Please make sure the voltage of the power supply meets the requirement of the input voltage

## **Grounding column**

The switch already comes with lightning protection mechanism. You can also ground the switch through the PE (Protecting Earth) cable of AC cord or with Ground Cable.

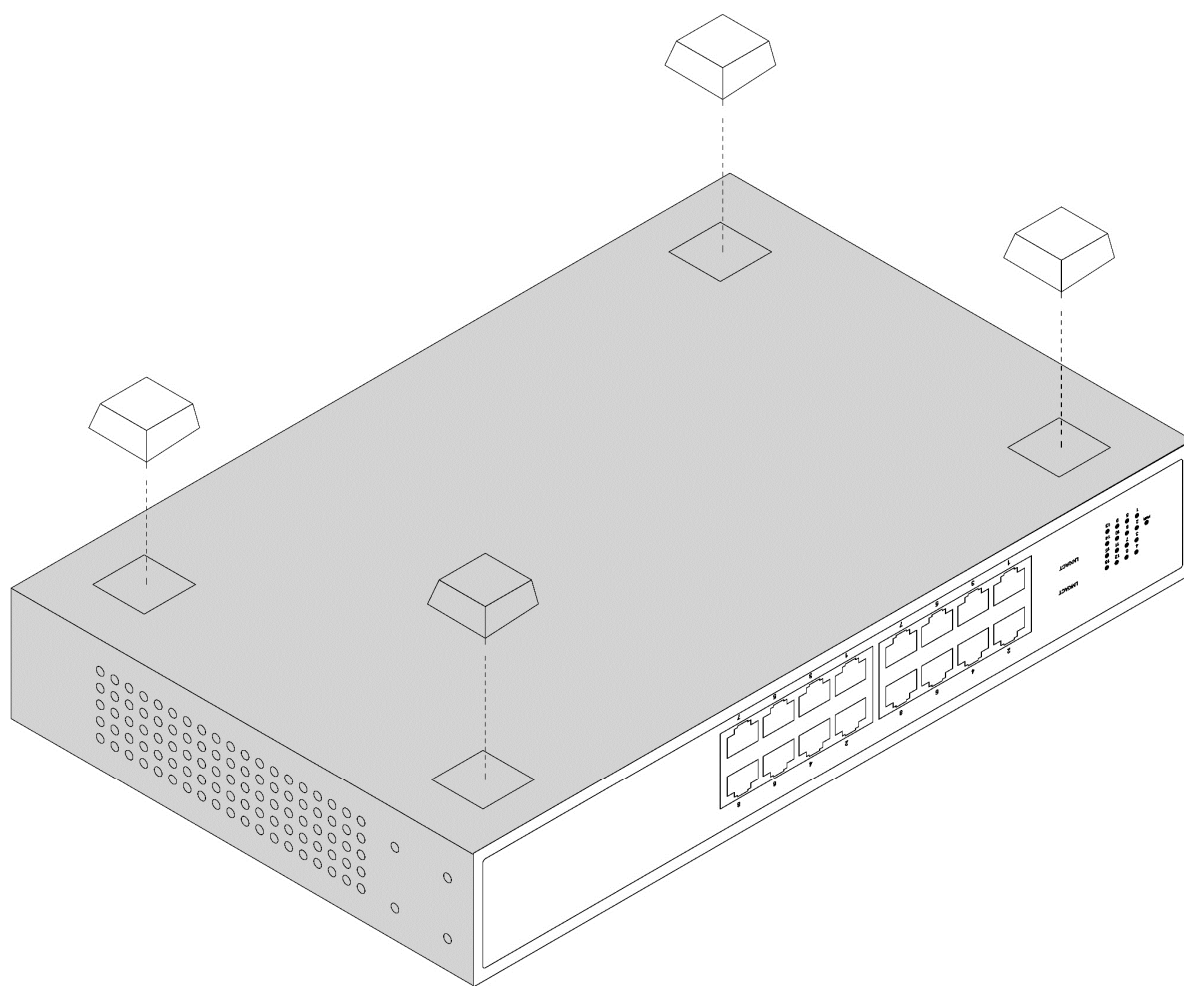
## **Installation the Switch**

This part describes how to install your Ethernet Switch and make connections to it. Please follow the following instructions in avoid of incorrect installation causing device damage and security threat.

- Before cleaning the switch, unplug the power plug of the switch first. Do not clean the switch with wet cloth or liquid.
- Do not place the switch near water or any damp area. Prevent water or moisture from entering the switch chassis.
- Do not place the switch on an unstable case or desk. The switch might be damaged severely in case of a fall.
- Ensure proper ventilation of the equipment room and keep the ventilation vents of the switch free of obstruction.
- Make sure that the operating voltage is the same one labeled on the switch.
- Do not open the chassis while the switch is operating or when electrical hazards are present to avoid electrical shocks.

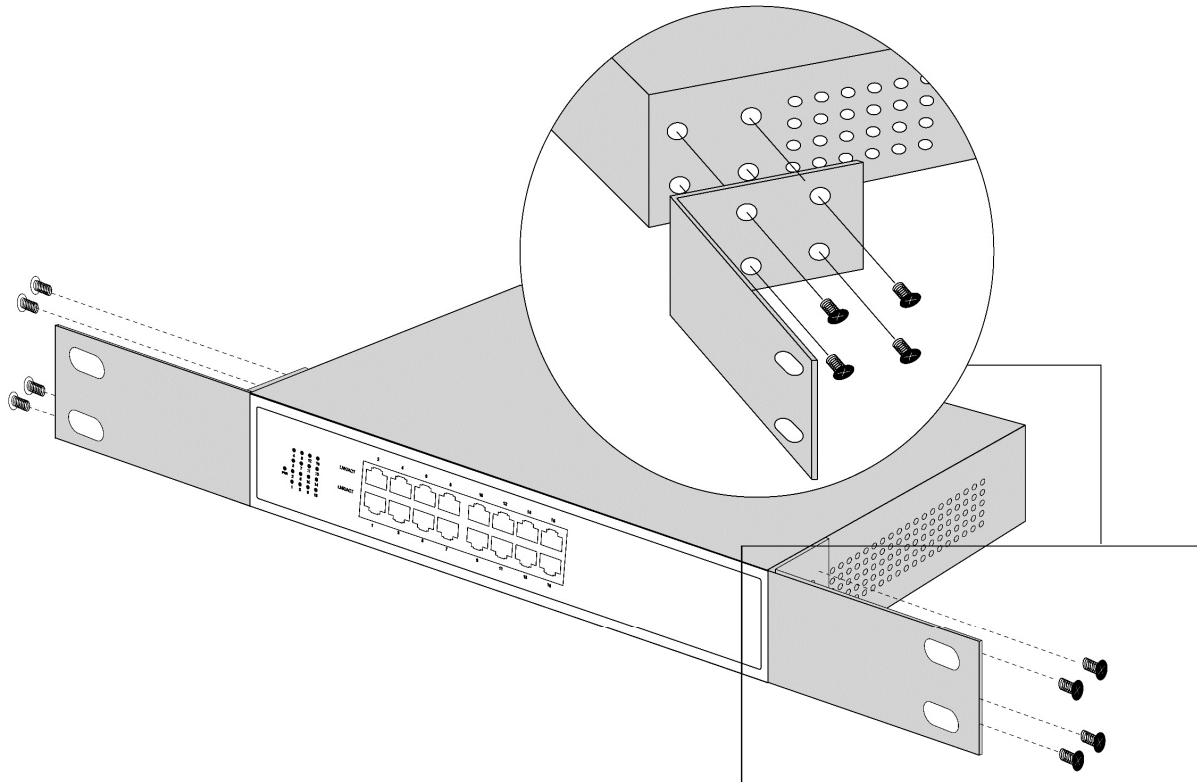
## Desktop Installation

Install the Switch on a desktop, please attach these cushioning rubber feet provided on the bottom at each corner of the Switch in case of the external vibration. Allow adequate space for ventilation between the device and the objects around it.

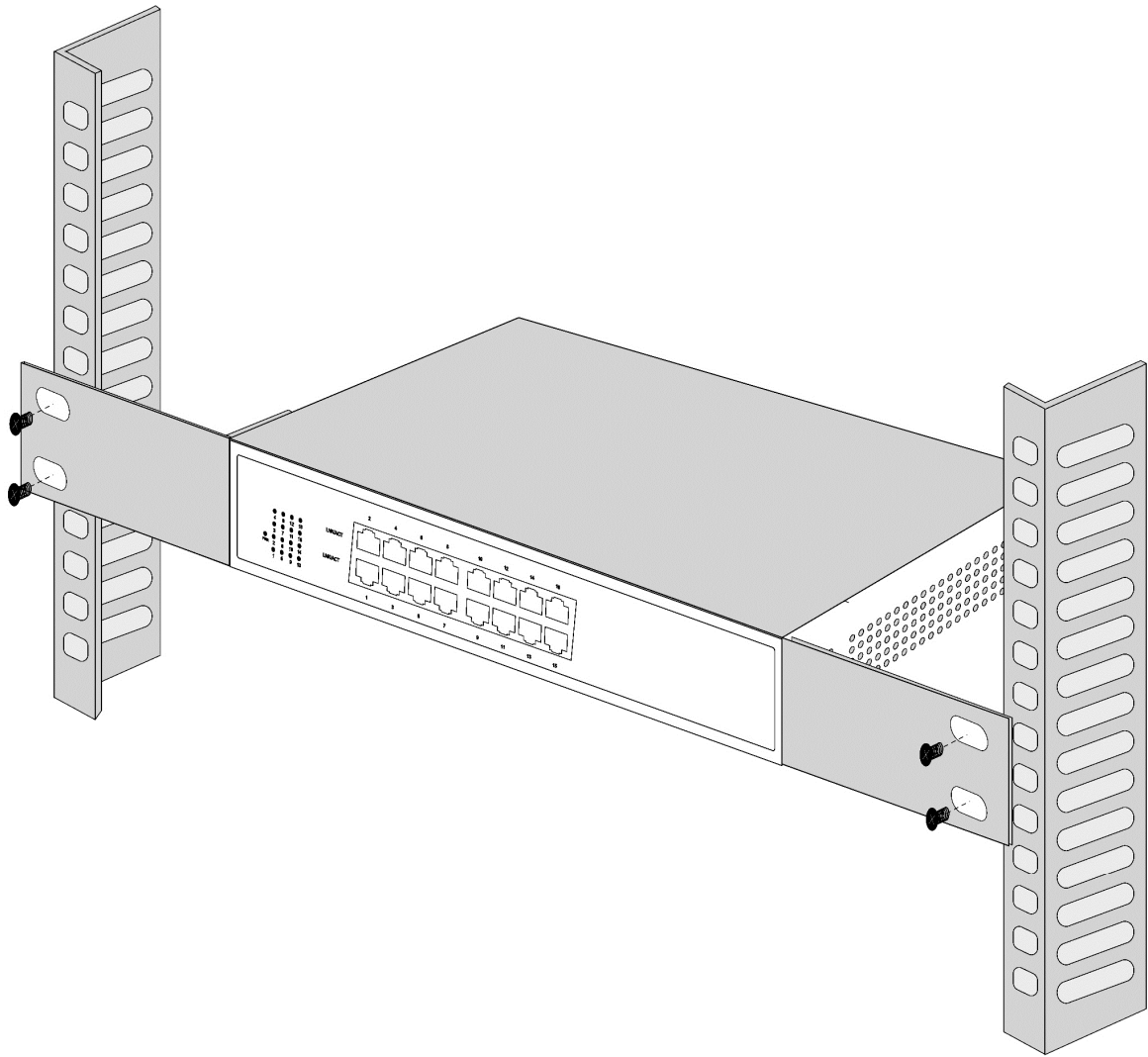


## Rack-mountable Installation

The switch is rack-mountable and can be installed on an EIA-19 inch equipment rack. To do this, first, please install the mounting brackets on the switch's side panels (one on each side), secure them with the included screws, and then use the screws provided with the equipment rack to mount the switch on the 19 inch rack.







## Turn on the switch

Please connect the AC power cord into the rear of the switch and to an electrical outlet (preferably one that is grounded). When the switch is powered on, the LED indicators flash momentarily for one second, which represents a resetting of the system. The Power LED indicator turns on green.

### Note:

Please confirm the voltage is correct before power on, otherwise the switch will be damaged. (The power input is: 100V-240Vac, 50/60Hz.)

This is a Class A product. In home environment, this product may cause radio interference. In this case, the user may be required to take appropriate measures.

Hereby Assmann Electronic GmbH, declares that the Declaration of Conformity is part of the shipping content. If the Declaration of Conformity is missing, you can request it by post under the below mentioned manufacturer address.

**[www.assmann.com](http://www.assmann.com)**

Assmann Electronic GmbH

Auf dem Schüffel 3

58513 Lüdenscheid

Germany

