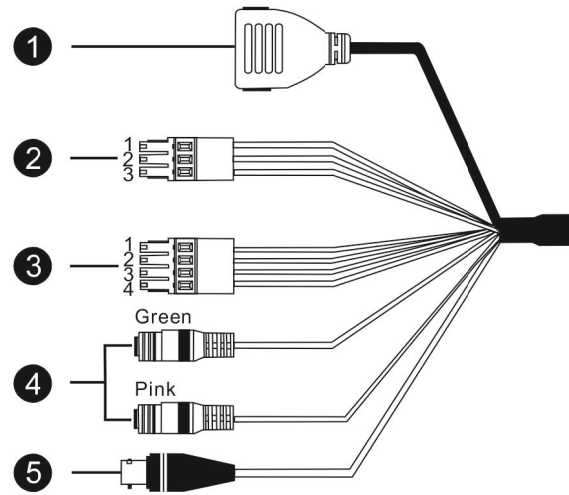


## Bullet IP Camera Quick Guide

This guide is for quick installing and connecting DIGITUS DN-16084-1 Bullet IP Camera. For more details, please refer to the User's Manual of the camera in the supplied CD.

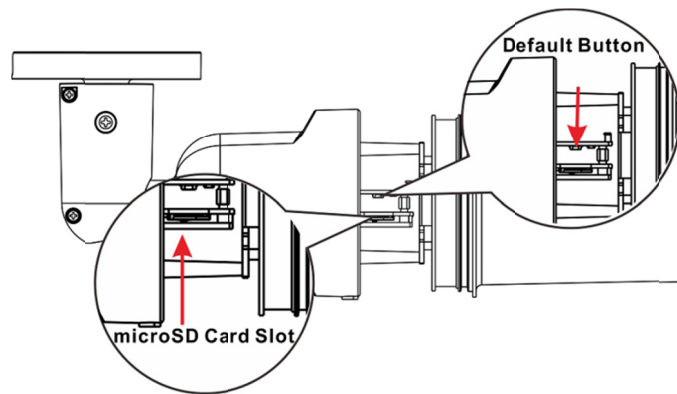
### All-in-One Cable



No	Cable	Pin	Definition	Remarks
1	RJ-45	-	For network and PoE connections	
2	Power (DC 12V / AC 24V) (3-pin Terminal Block)	1	DC 12V - AC 24V 1	Power connection
		2	Reserved GND	
		3	DC 12V + AC 24V 2	
3	Alarm I/O (4-pin Terminal Block)	1	Alarm In -	Alarm connection
		2	Alarm In +	
		3	Alarm Out -	
		4	Alarm Out +	
4	Audio I/O	Green	Audio Out	Two-way audio transmission
		Pink	Audio In / Mic In	
5	BNC	-	For analog video output	

### microSD Card Slot / Default Button

The positions of microSD card slot and default button are shown as below. For details about how to detach the camera's front housing, please refer to section [microSD Card Slot / Default Button](#) in the User's Manual.



### microSD Card Slot

Insert the microSD card into the card slot to store videos and snapshots. Do not remove the microSD card when the camera is powered on.



**NOTE:** It is not recommended to record with the microSD card for 24/7 continuously, as it may not be able to support long term continuous data read/write. Please contact the manufacturer of the microSD card for information regarding the reliability and the life expectancy.

### Default Button

Press the default button with a proper tool for at least 20 seconds to restore the system.

### Camera Cabling

Please follow the instructions below for cable connections.

### Power Connection

Please use a DC 12V / AC 24V adaptor and connect it to the 3-pin terminal block of the All-in-One cable and the power outlet. Alternatively, connect the Ethernet cable to the RJ-45 connector of the All-in-One cable, and plug the other end of the cable to a Power Sourcing Equipment (PSE) switch.

### Ethernet Cable Connection

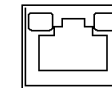
Connect one end of the Ethernet cable to the RJ-45 connector of the All-in-One cable, and plug the other end of the cable to the network switch or PC.



**NOTE:** In some cases, Ethernet crossover cable might be needed when connecting the camera directly to the PC.



**NOTE:** Check the status of the link indicator and the activity indicator LEDs. If the LEDs are unlit, please check the LAN connection.



Green Link Light indicates good network connection.  
Orange Activity Light flashes for network activity indication.

### Before Login to the Camera

A client program will be automatically installed to the PC when connecting to the camera. Before logging in to the camera, please ensure downloading the ActiveX control is allowed by either changing the ActiveX controls and plug-ins or setting Internet's security level to default. For further details, please refer to the User's Manual in the supplied CD.

ActiveX Controls and Plug-ins Settings	Internet Security Level
<p><b>Step 1:</b> Start the Internet Explorer (IE).</p> <p><b>Step 2:</b> Select &lt;Tools&gt; from the main menu of the browser. Then click &lt;Internet Options&gt;.</p> <p><b>Step 3:</b> Click the &lt;Security&gt; tab and select &lt;Internet&gt;, and click &lt;Custom level&gt; to change ActiveX settings.</p> <p><b>Step 4:</b> Set "ActiveX controls and plug-ins" items to &lt;Prompt&gt; or &lt;Enable&gt;.</p>	<p><b>Step 1:</b> Start the Internet Explorer (IE).</p> <p><b>Step 2:</b> Select &lt;Tools&gt; from the main menu of the browser. Then click &lt;Internet Options&gt;.</p> <p><b>Step 3:</b> Click the &lt;Security&gt; tab and select &lt;Internet&gt;.</p> <p><b>Step 4:</b> Down the page, click "Default Level" and click &lt;OK&gt; to confirm the setting. Close the browser window, and open a new one later for accessing the IP camera.</p>

### Camera Login

The camera is default set as DHCP mode to obtain IP address from the DHCP server. Under DHCP mode, the camera can be found via UPnP search or please use the search tool from the CD. However if no DHCP server is detected, then the camera would switch automatically to fixed IP address under **192.168.0.250**. Therefore, to access the camera under fixed IP address, please set the IP address of the PC as: 192.168.0.XXX; for example:

**IP Address: 192.168.0.100**

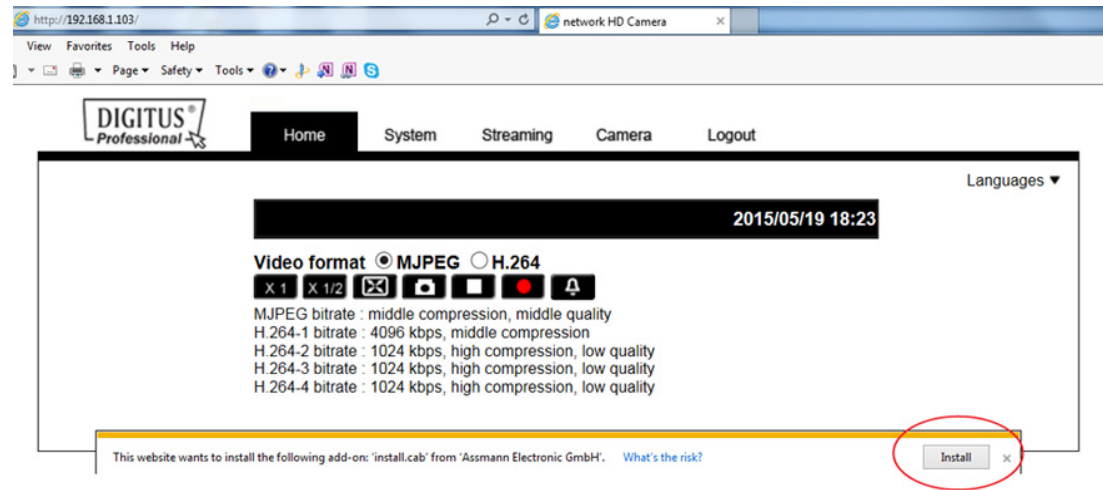
**Subnet Mask: 255.255.255.0**

### Login ID and Password

- Key in the camera's IP address in the URL bar of the web browser window and hit on "Enter".
- Enter the default username (**admin**) and password (**admin**) in the prompt request dialogue. Note that username is case sensitive.

### Install the ActiveX Control

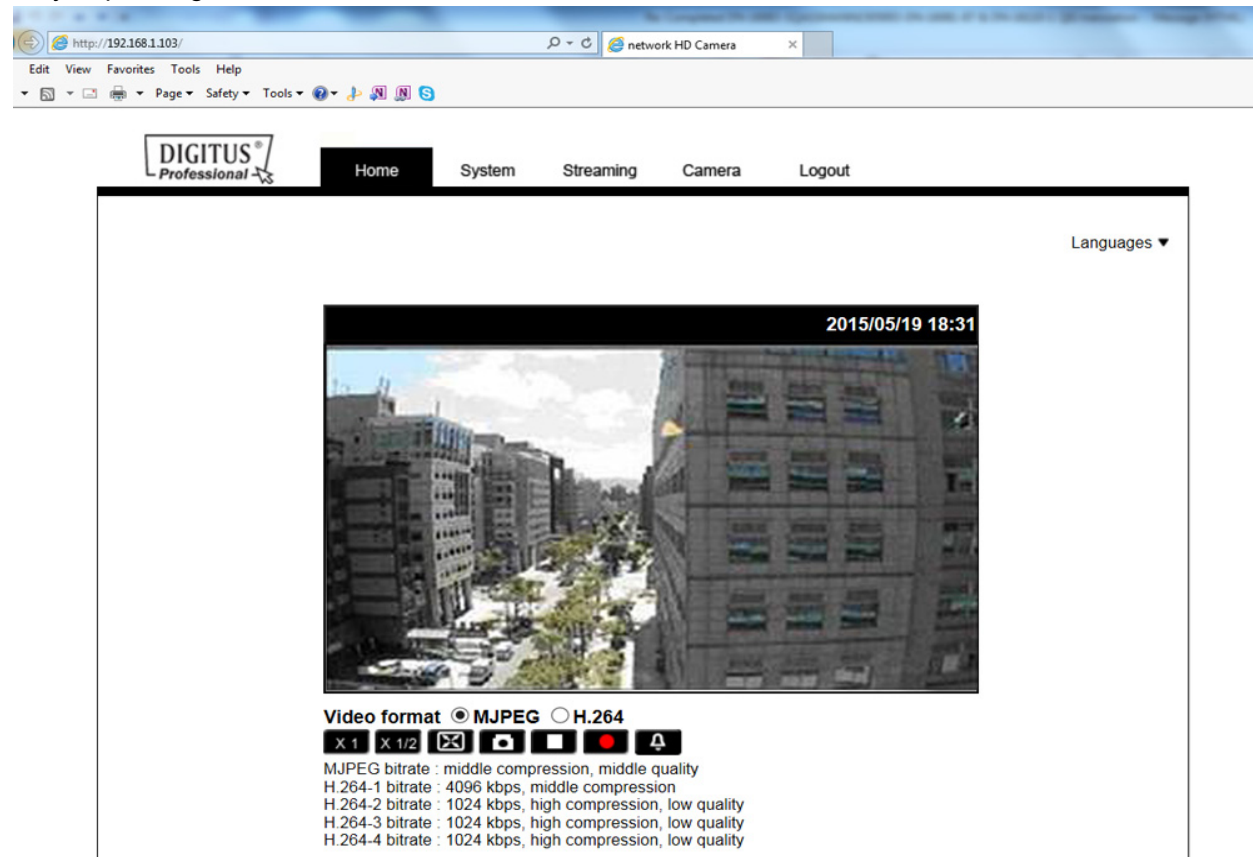
- After connecting to the camera, the request for installing the ActiveX control will appear just below the URL bar.
- Right click on the information bar, and then click on <Install ActiveX Control...> to permit ActiveX control installation.



- In the pop-up security warning window, click on <Install> to start downloading Viewer software on the PC.
- Click on <Finish> after Viewer installation is completed.

### Browser-based Viewer

The main page of the IP camera user interface is shown as the figure below. Please note that function buttons will vary depending on the camera model.



## IR BULLET IP CAMERA



### Quick Installation Guide

DN-16084-1