



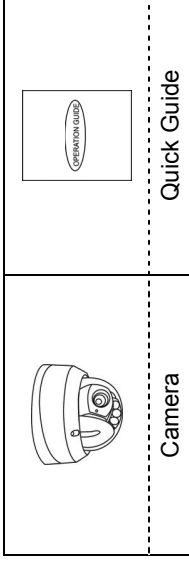
### QUICK INSTALLATION GUIDE DN-16082

for more product details, please go to  
[www.digitus.info](http://www.digitus.info)

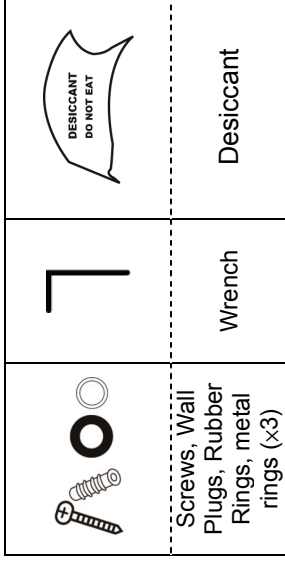
## Package Contents

Before starting to set up your camera, please make sure items below are in your box:

### Standard package:



### Optional accessories:



## Installation

Step 1: Uncover the dome camera by loosening the three screws on the housing with the supplied wrench.

**Note: The three screws aren't designed to be removed from the housing.**

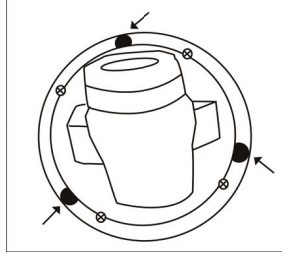
Step 2: Attach the supplied installation sticker to your desired installation location.

Step 3: Locate the three deepest holes on the base. (See Pic 1.) They are where the three supplied screws belong.

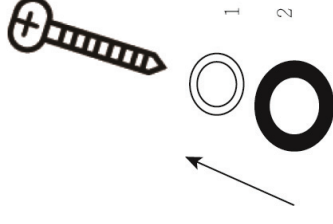
On the sticker, make holes where the three screws and the cables are supposed to penetrate. However, if the cables won't go through the surface, you don't need to make the hole for them in advance.

Next, align the camera with the sticker, putting the three screws through the holes, as well as the cables—if necessary. Then, tighten the screws.

**Note: Put the screws through both the rubber rings and metal rings, then into the holes. (See Pic 2.) To be on the safe side, it is recommended that you be assisted with installation, considering the camera is heavy.**



Pic 1

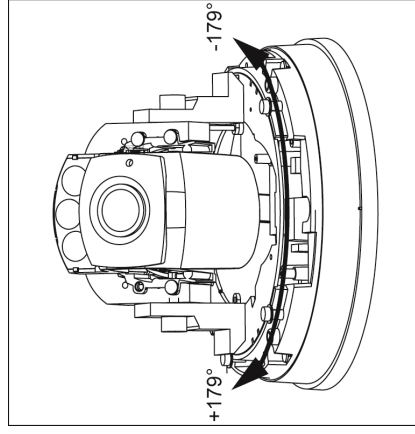


Pic 2

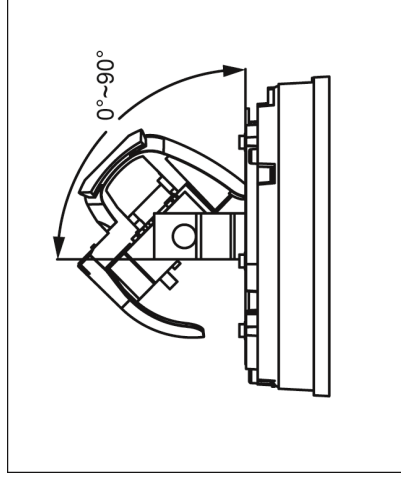
## Installation (Continued)

Step 4: The lens can be adjusted in three ways:

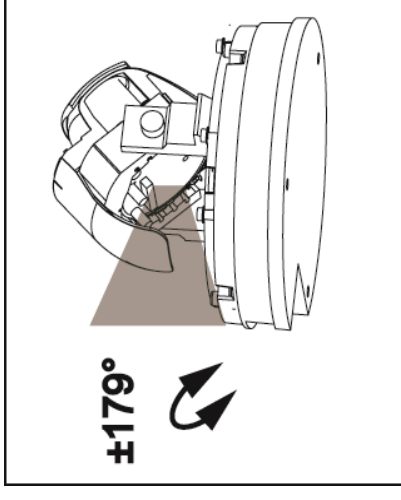
- a. Loosen the four screws on the plate, along with which you, in turn, can pan the camera.
- b. Tilt the lens after loosening the two screws on either side of the lens.
- c. Remove the protective case by loosening the two screws on it before rotating the lens from behind.



Pan



Tilt



Rotate

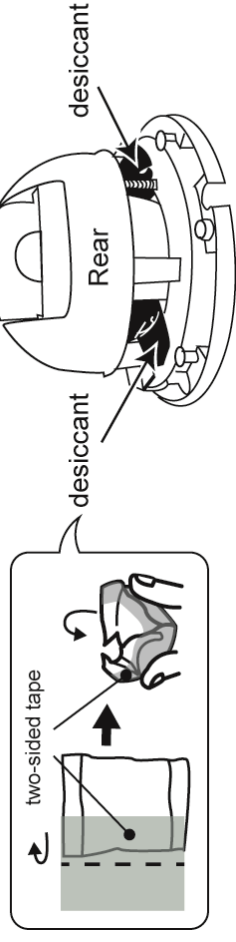
## Installation (Continued)

Step 5: Be sure to replace the original desiccant(s) with the new ones. Use provided double-sided tape to stick the desiccants in place as illustrated below. Keep them inward enough for the housing to close nicely. The new desiccants must not be exposed to air for over 30 seconds.

**Note: Both the two new desiccants are to be put in the camera to remove excessive humidity and ensure the camera works well.**

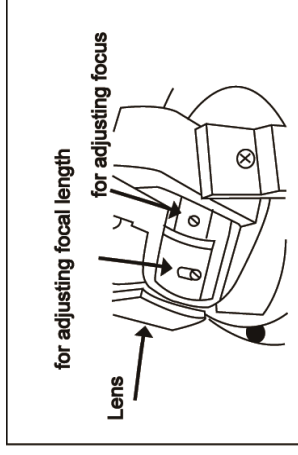
Step 6: Then, clear the lens of fingerprints and replace the housing before tightening the screws on it.

Step 7: Power up the camera.



## Focusing the Camera

If you need to adjust the focus, the picture below shows you how:

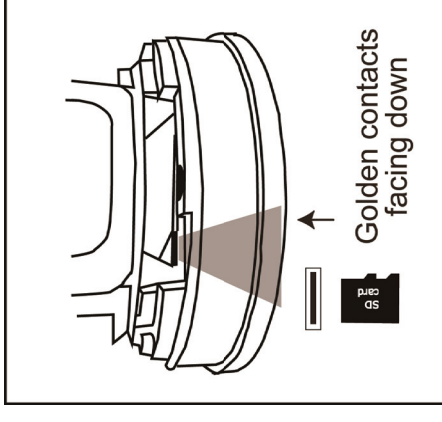


## Inserting MicroSD Card

The data originally saved in the microSD card (if any) will be removed after inserting it to the camera.

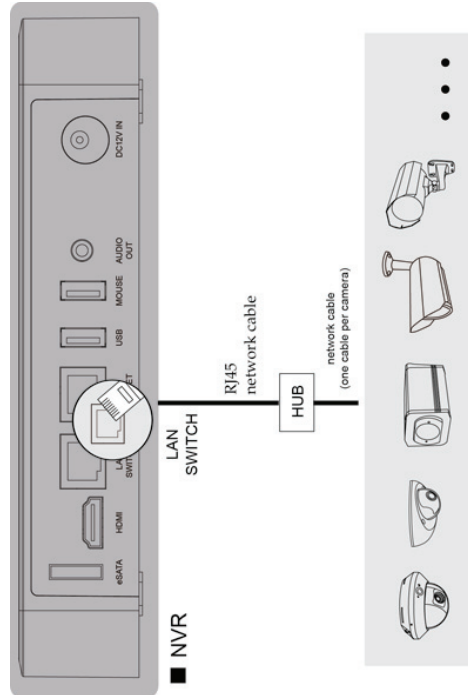
The camera doesn't support hot-swapping. Please insert or remove the microSD card with power disconnected.

Please follow the directions in the below graphic to insert MicroSD card properly:



## Camera Configuration

For advanced configuration of your DIGITUS camera with DIGITUS NVR, please refer to below for the connection:



Step1: Connect PC to the HUB connected to your camera(s) with RJ45 network cable.

Step2: Install the "IPScan.exe" from the CD on your computer and use this utility to find the IP address of the camera.

Step3: After searching, set your PC in the same network segment as the specific camera you want to access, such as "192.168.30.xxx" (xxx could be 0~255) in our example

IP	Port	Type	Mac
192.168.30.1	88	IP CAMERA (FIX)	00:19:94:25:78:4F
		IP CAMERA (FIX)	00:18:94:25:77:4F
<b>192.168.30.1</b>	<b>88</b>	IP CAMERA (FIX)	00:17:94:25:76:4F
192.168.30.4	88	IP CAMERA (FIX)	00:16:94:25:75:4F
192.168.30.5	88	IP CAMERA (FIX)	00:15:94:25:74:4F
192.168.30.6	88	IP CAMERA (FIX)	00:14:94:25:73:4F

Step4: Note down the IP address and port number of the camera you want to access, such as "192.168.30.1" and "88" in our example.

Step5: Open Internet Explorer on the PC, and enter the IP address and port number in the URL column to access the camera. The format is <http://ipaddress:portnum>, such as <http://192.168.30.1:88> in our example.