



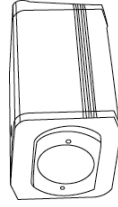
### QUICK INSTALLATION GUIDE DN-16080

for more product details, please go to [www.digitus.info](http://www.digitus.info)

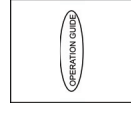
## Package Contents

Before starting to set up your camera, please make sure items below are in your box:

▶ Standard package:



Camera



Quick Guide



Wrench

▶ Optional accessories:



4-pin I/O terminal block



3-pin I/O terminal block



CD Manual

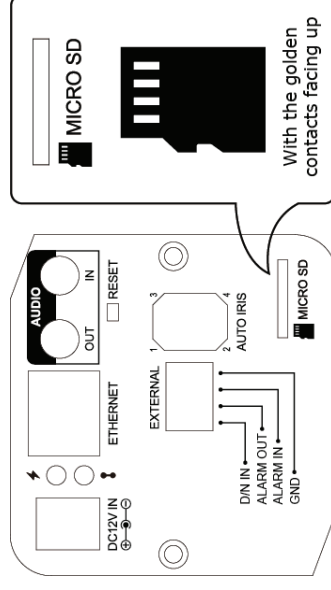
## Insert Micro SD Card

Only selected models are equipped with a micro SD card slot for local video recording.

The data originally saved in the micro SD card (if any) will be removed after inserting it to the camera.

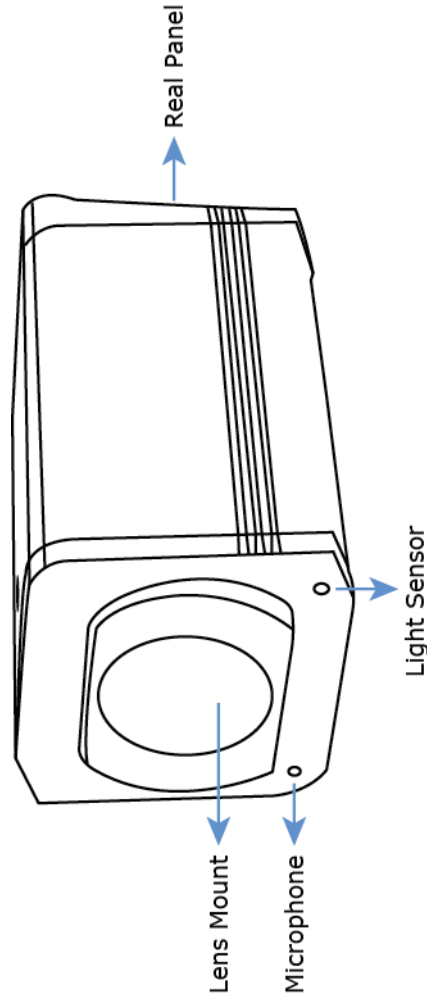
The camera doesn't support hot-swapping. Please insert or remove the micro SD card with power disconnected.

Please follow the directions in the below graphic to insert a micro SD card properly:

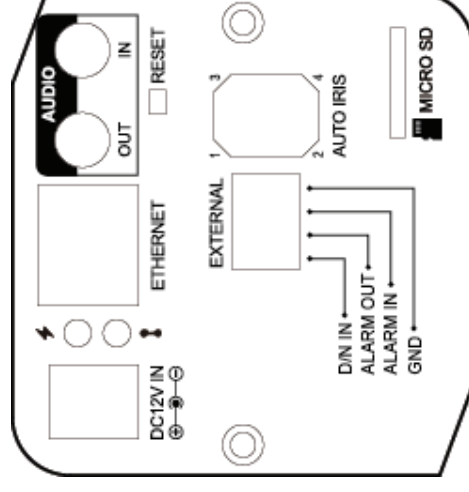


## Camera Overview

▶ **Parts**



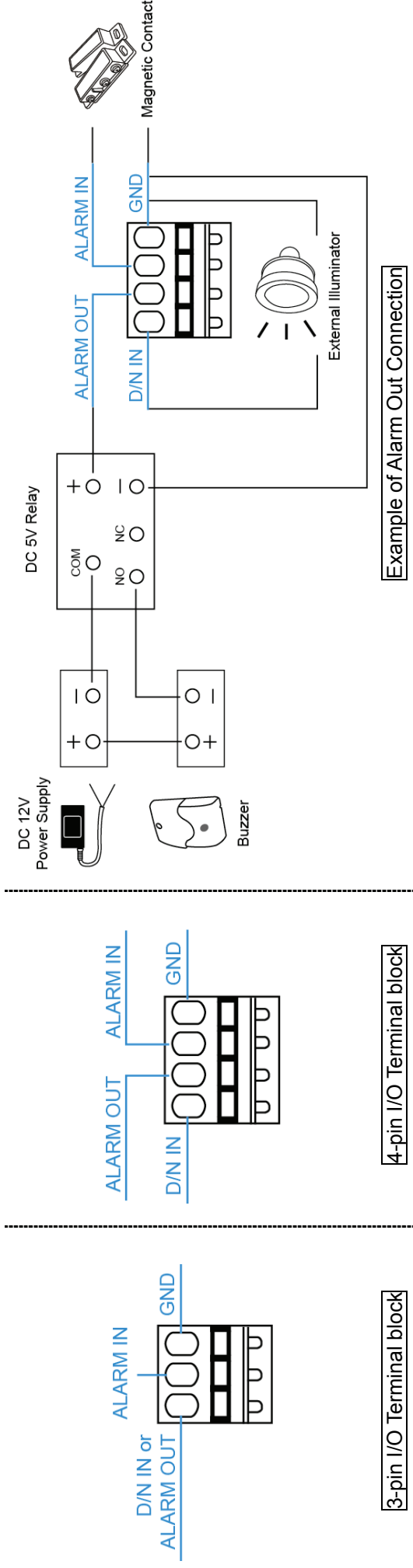
▶ **Real Panels**



## I/O Terminal Block

This camera supports external I/O device connection, and an I/O terminal block is supplied with this camera for easy connection.

Below shows which input on the I/O terminal block you should use for wiring when you want to connect an external device to this camera.



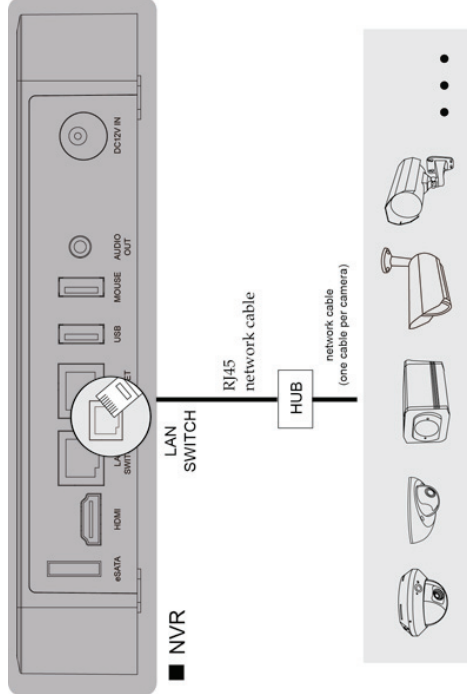
3-pin I/O Terminal block

4-pin I/O Terminal block

Example of Alarm Out Connection

## CAMERA CONFIGURATION

For advanced configuration of your DIGITUS camera with DIGITUS NVR, please refer to below for the connection:



Step1: Connect PC to the HUB connected to your camera(s) with RJ45 network cable.

Step2: Install the "IPScan.exe" from the CD on your computer and use this utility to find the IP address of the camera.

Step3: After searching, set your PC in the same network segment as the specific camera you want to access, such as "192.168.30.xxx" (xxx could be 0~255) in our example

IP	Port	Type	Mac
192.168.30.1	88	IP CAMERA (FIX)	00:19:94:25:74:4f
192.168.30.1	88	IP CAMERA (FIX)	00:19:94:25:74:4f
192.168.30.1	88	IP CAMERA (FIX)	00:19:94:25:74:4f
192.168.30.5	88	IP CAMERA (FIX)	00:19:94:25:74:4f
192.168.30.5	88	IP CAMERA (FIX)	00:19:94:25:74:4f
192.168.30.6	88	IP CAMERA (FIX)	00:19:94:25:74:4f

Step4: Note down the IP address and port number of the camera you want to access, such as "192.168.30.1" and "88" in our example.

Step5: Open Internet Explorer on the PC, and enter the IP address and port number in the URL column to access the camera. The format is <http://ipaddress:portnum>, such as <http://192.168.30.1:88> in our example.