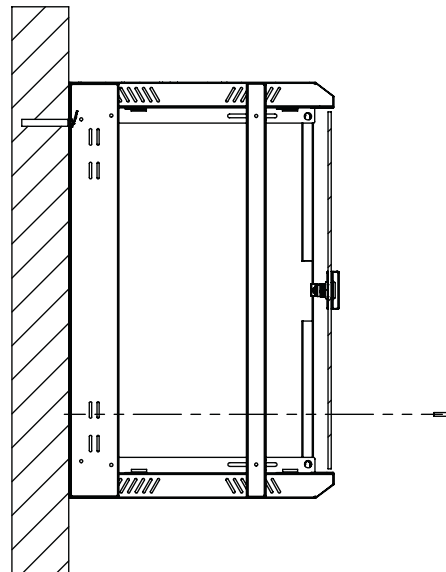
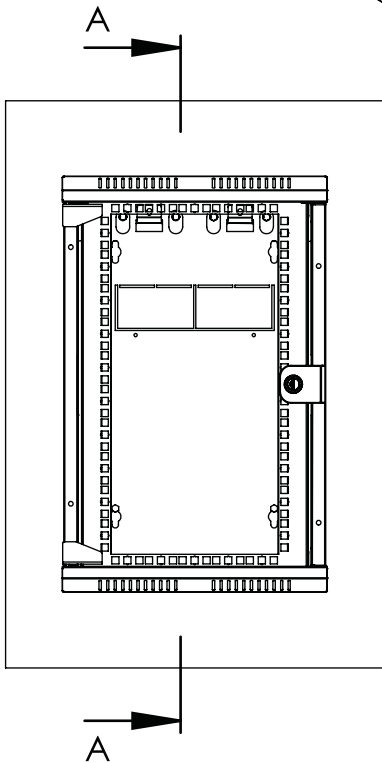
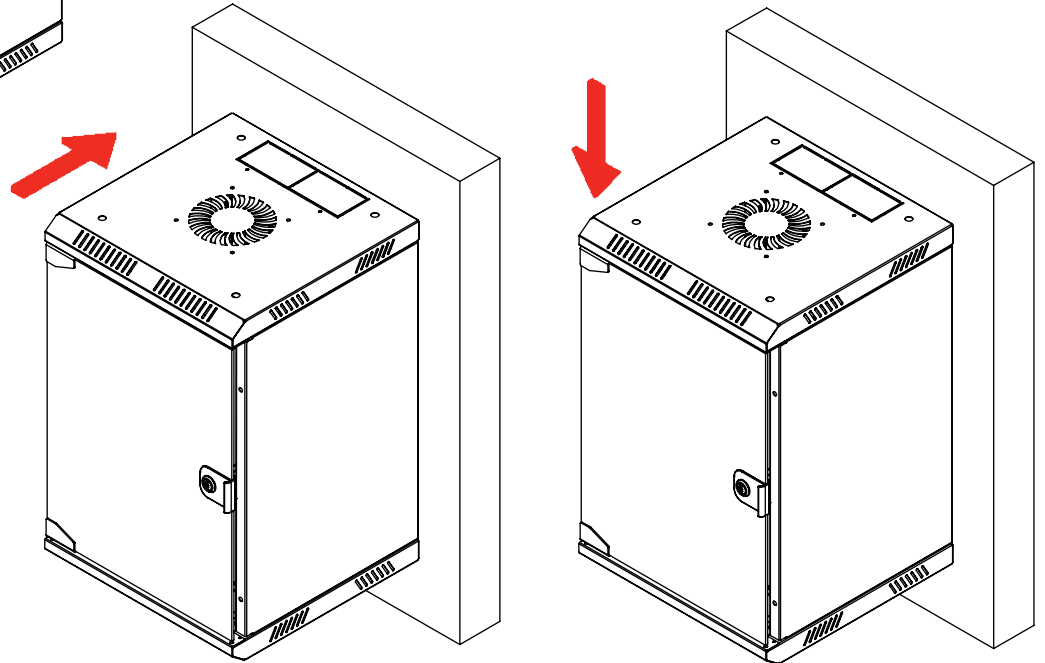


The locations suitable for plastic dowels are marked on the wall. Holes are drilled and plastic dowels are inserted into the wall. 'The wall mounting bracket' is mounted to the wall using screws. Then, the cabinet is placed onto the bracket by moving it in the direction of the arrows and secured in place. To prevent the cabinet from moving, also secure it with screws from below. (The dowels and screws are not included.)



SECTION A-A