



VIDEO SPLITTER



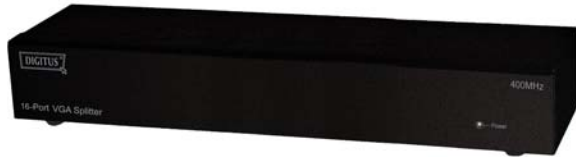
(DC-41110)
1 In 2 Out



(DC-42110)
1 In 4 Out



(DC-43110)
1 In 8 Out



(DC-43115)
1 In 16 Out

User Manual

(DC-41110 / DC-42110 / DC-43110 / DC-43115)

Package Contents-

- 1 DC-41110 / DC-42110 / DC-43110 or DC-43115 Video Splitter
 - 1 user manual
 - 1 power adapter DC 12V 600mA for DC-41110 / DC-42110 / DC-43110 or 1 DC 12V 1.25A for DC-43115
 - 2 rack rails, 8 screws for DC-43115 only
- Any thing missed, please contact with your vendor.

Introduction

Through the video splitter DC-41110 / DC-42110 / DC-43110 / DC-43115, you can use one PC to display identical image on 2,4,8,16 monitors or even more.

Video splitter is ideal for:

- Test bench facilities
- Data Center
- Help desk
- Video broadcasting:
 - Presentation
 - Stock quotes
 - Timetables
 - Educational facilities

Features

- With 400 MHz pixel frequency.
- Extends the video signal up to 65 meter (213 feet).
- Supports the DDC, DDC2, DDC2B. (For video out port 1)
- Can be cascaded.
- 1U rack design for VS-8116PF.
- The output is compatible with standard VGA card.

Specifications

Function	DC-41110	DC-42110	DC-43110	DC-43115
Video Input Connector (HD-15 Female)	1	1	1	1
Video Output Connector (HD-15 Female)	2	4	8	16
Max. Resolution	2048 x 1536 60 Hz			
Pixel Frequency	400 MHz			
Cable Distance (Device to Monitor)	65 m (213 feet) Max.			
Signal Type	VGA, SVGA, XGA, QXGA, UXGA, Multisync			
Power Adapter (Min.)	DC 12V 600mA			DC 12V 1.25A
Housing	Metal			
Weight	420 g	455 g	680 g	1480 g
Dimensions (LxWxH)	130x75x42 mm		200x75x42 mm	343x105x42 mm

Technical Specifications Input/Output Signal

Pin #	Signal
1	Red video
2	Green video
3	Blue video
4	ID2
5	Ground
6	Analog Ground
7	Analog Ground
8	Analog Ground

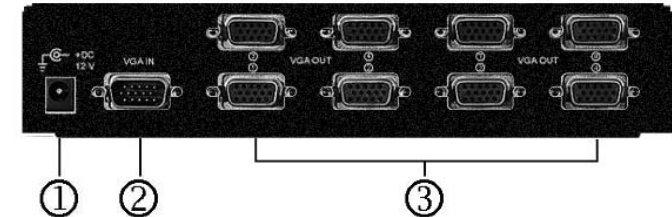
Pin #	Signal
9	NC
10	Ground
11	ID0
12	ID1
13	Horizontal Sync
14	Vertical Sync
15	ID3

FRONT VIEW



1. Power LED

REAR VIEW



- Input Power Jack
- "Video In" Port
- "Video Out" Port

*There are 2/4/8/16 out ports for DC-41110 / DC-42110/ DC-43110 / DC-43115.

Installation

1. Turn off the PC and monitors.
2. Connect the HD-15 video extension cable between the PC and the “video in” port of splitter.
3. Connect the HD-15 video extension cables between the monitors and the “video out” ports of splitter.
4. Connect the power cord and turn on the splitter.
5. Turn on the PC and monitors.

Note:

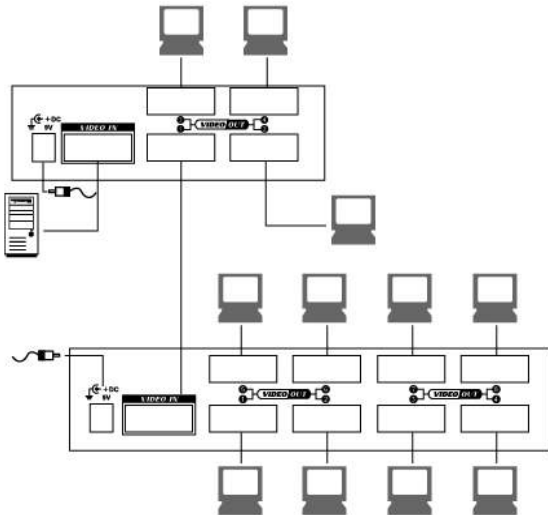
- If you install the DDC monitor for the splitter, the rest of monitors must be the same resolution as the DDC monitor.
- Available monitors include the VGA, SVGA, XGA, QXGA, UXGA, Multisync, and exclude the CGA, EGA, Mono.

Operation for cascade:

1. The function to display identical image on more monitors, you request to attach another splitter.
2. Connect the HD-15 male/male video extension cable between the “video out” port of the former splitter and the “video in” port of the latter splitter.

Note:

Even though you are allowed to cascade the splitter with varied ports, the image might become unstable if cascade too many tiers of splitters.



P.S.: The example cascades the 4 and 8 ports splitters; however, you can cascade the video splitter with demanded port.

Trademarks:

All the companies, brand names, and product names referred to this manual are the trademarks or registered trademarks belonging to their respective companies.